

advanced FLOW engineering

Track Series Cold Air Intake System

**Instruction Manual** P/N: 57-10011D / 57-10011R

Make: RAM

Model: 1500

Year: 2019-2021

Engine: V8-5.7L HEMI



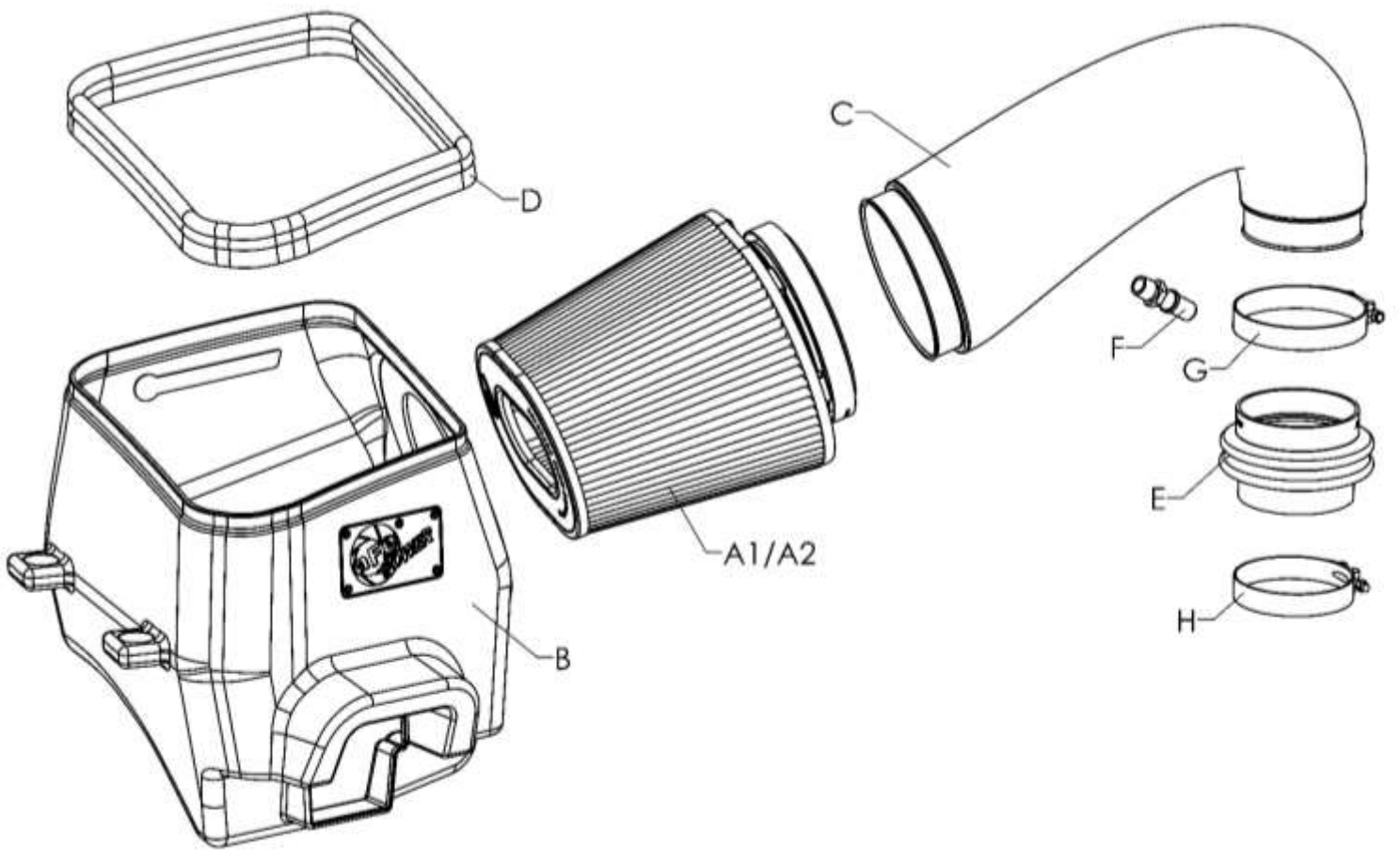
- Please read the entire instruction manual before proceeding.
- Ensure all components listed are present.
- For technical support please call 951-493-7185.
- Ensure you have all necessary tools before proceeding.
- Do not attempt to work on your vehicle when the engine is hot.
- Retain factory parts for future use.

Label	Qty.	Description	Part Number
A1	1	Air Filter (Pro 5R)	24-91149
A2	1	Air Filter (Pro DRY S)	21-91149
B	1	Housing	05-5710011B2
C	1	Carbon Fiber Tube	05-5710011C1
D	1	Seal, Trim: Double Bulb (43"L)	05-01534
E	1	Coupling, Silicone Reducer	05-01508
F	1	Fitting, Vent Tube (Large)	05-01339
G	1	Clamp, T-bolt (3-13/16" – 4-1/8")	03-50265
H	1	Clamp, T-bolt (3-9/16" – 3-7/8")	03-50007

**Installation will require the following tools:**

8mm nut driver, 11mm deep socket and ratchet, 20mm wrench or adjustable wrench.

**Emissions Disclaimer:** This product is not currently CARB exempt and is not available for purchase in California or for use on any vehicle registered with the California Department of Motor Vehicles.



**Figure A****Refer to Figure A for Steps 1-4**

Step 1: Using an 8mm nut driver, loosen the clamps at the throttle body (1) and factory filter housing (2).

Step 2: Disconnect the crank case breather fitting (3) from the factory intake tube.

Step 3: Disconnect the temperature sensor wire harness (4) from the temperature sensor.

Step 4: Remove the factory intake tube.



REMOVAL

Figure B

**Refer to Figure B for Step 5**

Step 5: Remove the factory filter housing by pulling straight up off the mounting grommets.



Figure C

**Refer to Figure C for Step 6**

Step 6: Transfer the four grommets (5) from the factory filter housing to your aFe POWER housing in the locations shown.

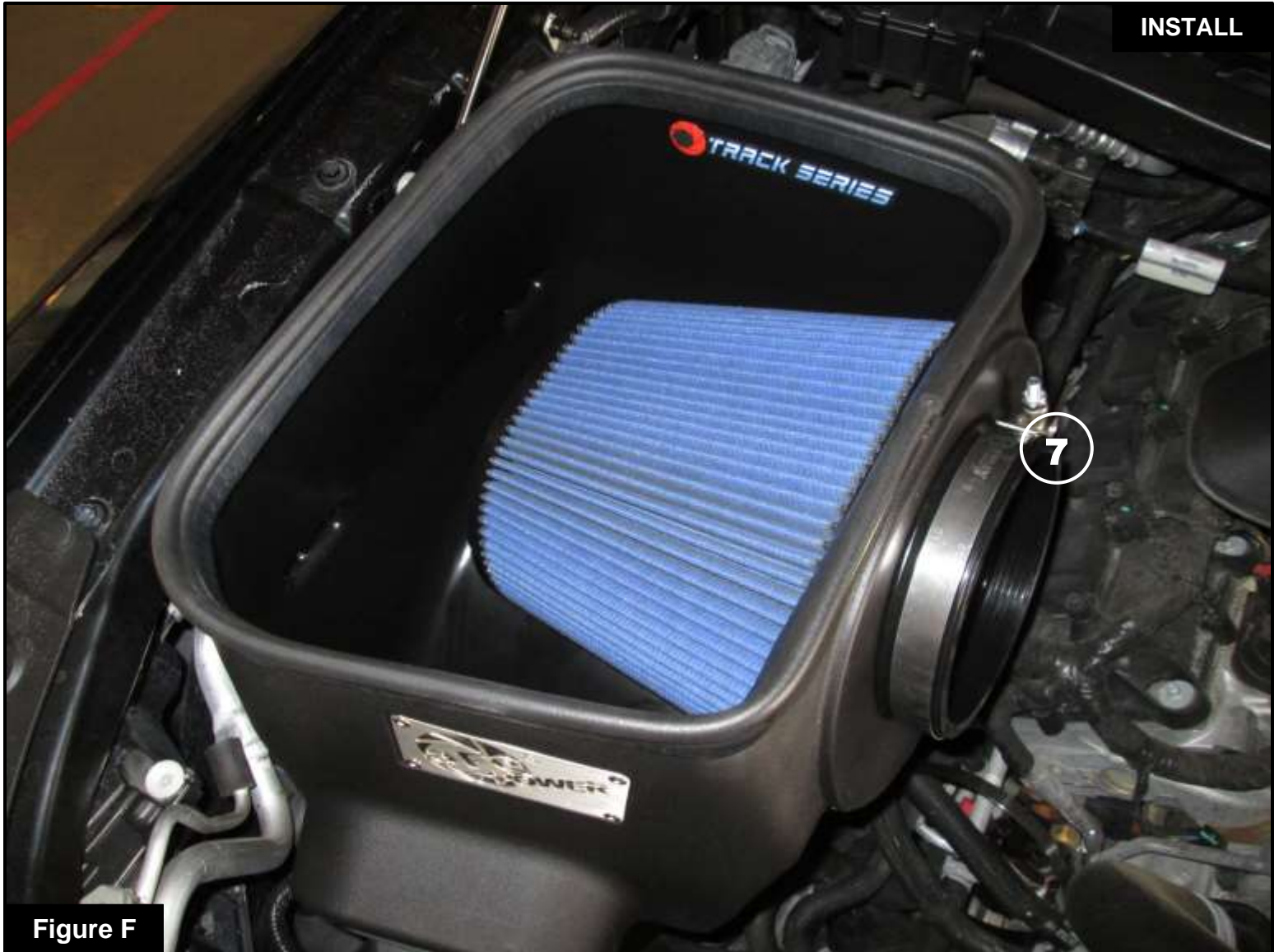
**Figure D****Refer to Figure D for Step 7**

Step 7: Install the supplied seal trim (6) along the top opening of your aFe POWER housing. Trim to fit as needed.

**Figure E****Refer to Figure E for Step 8**

Step 8: Install your aFe POWER housing into the vehicle, lining up the four mounting pegs with the grommets in the airbox, and pressing down lightly.



**Figure F****Refer to Figure F for Step 9**

Step 9: Remove the filter clamp (7) from the aFe POWER air filter. Slide the filter into your aFe POWER housing from the top, then guide the filter flange through the round opening in the housing, snapping the filter into place. Place the clamp back on the filter flange.

**Figure G****Refer to Figure G for Step 10**

Step 10: Install your aFe Power reducer coupler (8) with the small side on the throttle body along with the TB387SS T-bolt clamp (9). Tighten the clamp using an 11mm deep socket and driver.

**Figure H****Refer to Figure H for Steps 11-12**

Step 11: Remove the temperature sensor (10) from your factory intake tube by rotating ¼ turn counter-clockwise and gently pulling out from the fitting. Reinstall the sensor into your aFe POWER intake tube by inserting into the plastic fitting and rotating ¼ turn clockwise until it locks into place.

Step 12: Install the supplied aluminum fitting (11) into your aFe POWER intake tube and tighten using a 20mm wrench. **DO NOT OVERTIGHTEN THE FITTING. SOME THREADS WILL STILL BE EXPOSED WHEN FULLY TIGHTENED.**

**Figure I****Refer to Figure I for Steps 13-15**

Step 13: Install your aFe POWER intake tube into the vehicle, sliding the smaller end with the remaining T-bolt clamp into the coupler at the throttle body, then the larger end into your air filter. Tighten both clamps using an 11mm deep socket and ratchet.

Step 14: Reconnect the crank case breather line (12) to the fitting on your intake tube.

Step 15: Reconnect your temperature sensor wire harness (13).

**Figure J****Refer to Figure J for Step 16**

Step 16: Confirm that all connections are secure and clamps tightened. Your installation is now complete.

Thank you for choosing aFe POWER!

**NOTE: Check all clamps, and connectors are secure after 100-200 miles**

Pro DRY S Air Filter



P/N: 21-91149

Pro 5R Air Filter



P/N: 24-91149

Pro GUARD 7 Air Filter



P/N: 28-10063

Pre-Filter



P/N: 28-10033

Pro DRY S Restore Kit



P/N: 90-59999

Blue Squeeze Restore Kit



P/N: 90-50501

Gold Squeeze Restore Kit



P/N: 90-50500

Cat-Back Exhaust System



P/N: 49-42059-B

Twisted Steel Y-Pipe



P/N: 48-42024-RC

Twisted Steel Headers



P/N: 48-32023

Sprint Booster V3



P/N: 77-12010

Silver Bullet Throttle Body Spacer



P/N: 46-32005

To purchase any of the items above, view airflow charts, dyno graphs, photos, and video; please go to [aFepower.com](http://aFepower.com).



# Warranty

## General Terms:

- aFe warrants their products to be free from manufacturer's defects due to workmanship and material.
- This warranty applies only to the original purchaser of the product and is non-transferrable.
- Proof of purchase of the aFe product is required for all warranty claims.
- Warranty is valid provided aFe instructions for installation and/or cleaning were properly followed.
- Proper maintenance with regular inspections of product is required to insure warranty coverage.
- Damage due to improper installation, abuse, unauthorized repair or alteration is not warranted.
- Incidental or consequential damages or cost, including installation and removal of part, incurred due to failure of aFe product is not covered under this warranty.
- All warranty is limited to the repair and/or replacement of the aFe part. To request Return Goods Authorization ("RGA"), email RGA@afepower.com or call (951)493-7100. Upon receipt of the RGA, you must return the product to the address provided in the RGA, freight prepaid and accompanied with a dated proof of purchase and the RGA. Upon receipt of the defective product and upon verification of proof of purchase, aFe will either repair or replace the defective product within a reasonable time, not to exceed thirty days.

Product Category	P/N Prefix	Warranty duration
Direct OE Replacement Filters	10, 11, 30, 31, 71, 73	Life of the vehicle
Racing Filters	18	1 year
Universal	20, 21, 23, 24, 72, TF	2 years
Air Intake Systems	50, 51, 53, 54, 55, 56, 57, 58, 75, TR, TA, TL, TM	2 years
Exhaust Systems	49	2 years
Intercoolers & Intercooler Tubes	46-2	2 years
Intake Manifolds	46-1	2 years
Differential Cover	46-7	Life of the vehicle
Exhaust Manifolds	46	2 years
Throttle Body Spacers	46-3	2 years
Turbochargers	46-6	2 years*
Fluid Filters	44	90 days
Pre-Filters	28	2 years
Heavy Duty OE Replacement	70	2 years
PowerSports OE Replacement	81, 87	2 years
PowerSports Intake Systems	85	2 years

No other warranty expressed or implied applies nor is any person or advanced FLOW engineering authorized to assume any other warranty. Some States do not allow the exclusion or limitation of incidental or consequential damages or do not allow limitations on how long an implied warranty lasts, so the above limitations or exclusions may not apply to you. This warranty gives you specific legal rights, and you may also have other rights which vary from State to State.

\*See turbocharger warranty for more info



advanced FLOW engineering, inc.

252 Granite Street Corona, CA 92879  
TEL: 951.493.7100 • TECH: 951.493.7185  
E-Mail: Tech@aFepower.com

P/N: 06-81416