



# CLUTCHTECH



## TSB - N105

### Clutch Release Bearings for Nissan

ClutchPro has replaced the standard release bearing TB40016 with the self aligning bearing TB40017. This bearing has been introduced to ClutchPro kits to help minimize many alignment problems associated with standard static release bearings.



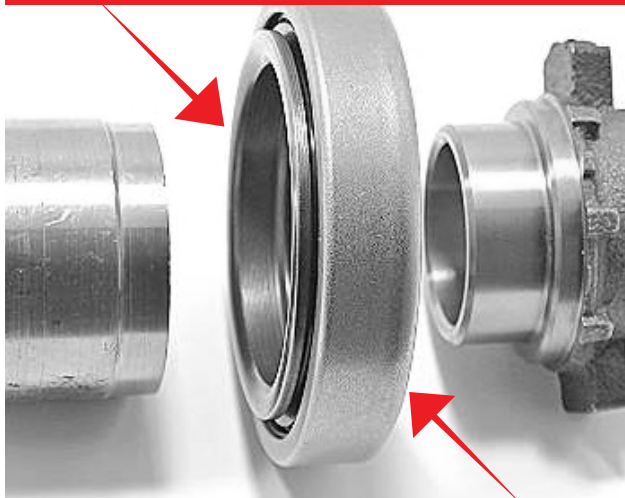
TB40016



TB40017

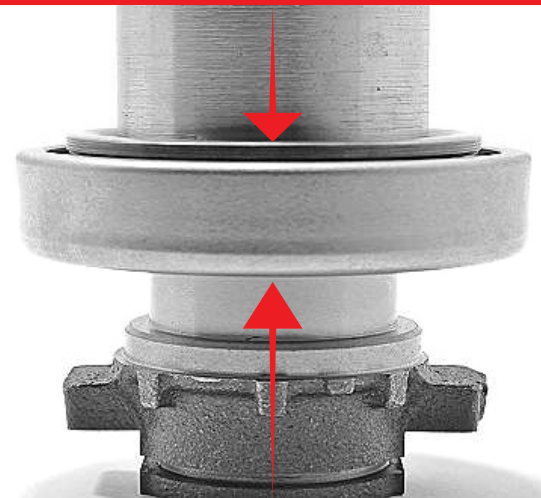
Note: When fitting the release bearing to the bearing carrier it is important that the supplied fitting tool is used. This bearing can only be pressed by the centre lip. Failing to use the supplied tool and fitting incorrectly can result in the bearing being damaged and sitting unevenly on the bearing carrier. The use of a 'press' is recommended when fitting bearing to carrier. See attached images below for details of use.

RUNNING FACE, TOWARDS ENGINE



MOUNTING FACE TOWARDS GEARBOX

RUNNING FACE OF BEARING TO FACE UPWARDS



MOUNTING FACE OF BEARING TO FACE CARRIER



[youtube.com/watch?v=YTzbhvoss60](https://www.youtube.com/watch?v=YTzbhvoss60)

#### LEADING BRANDS



Scan with a QR app on your smart phone

[australianclutch.com.au](http://australianclutch.com.au)

1800 CLUTCH (258824)

