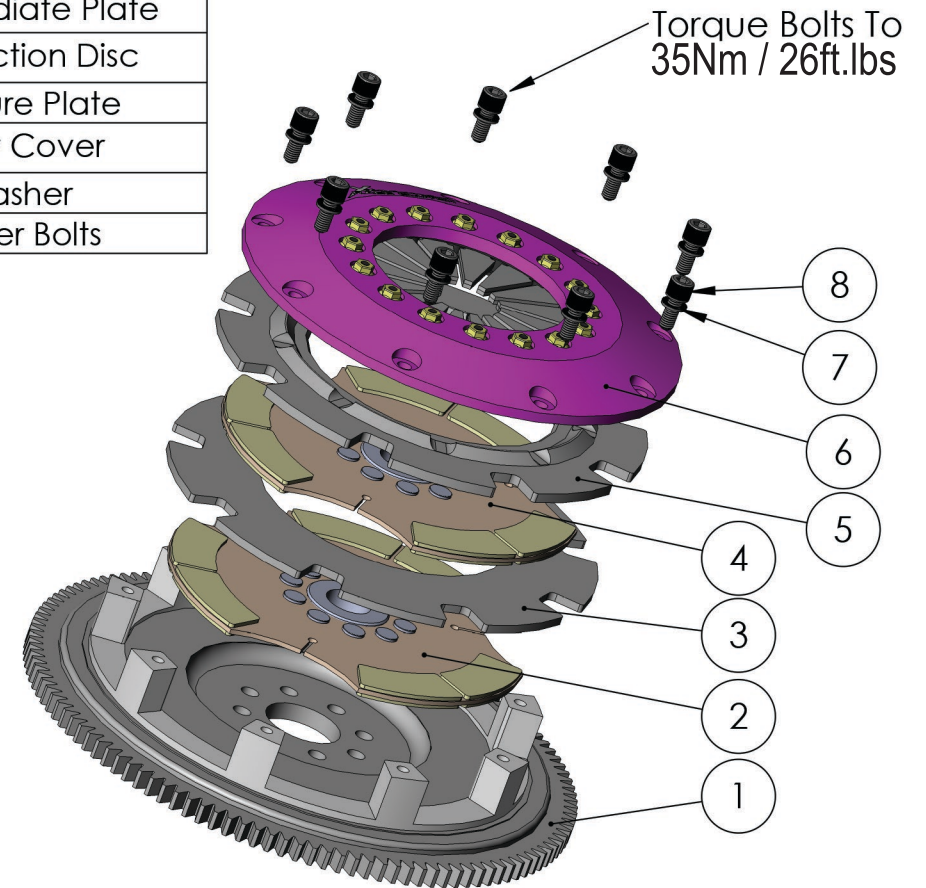
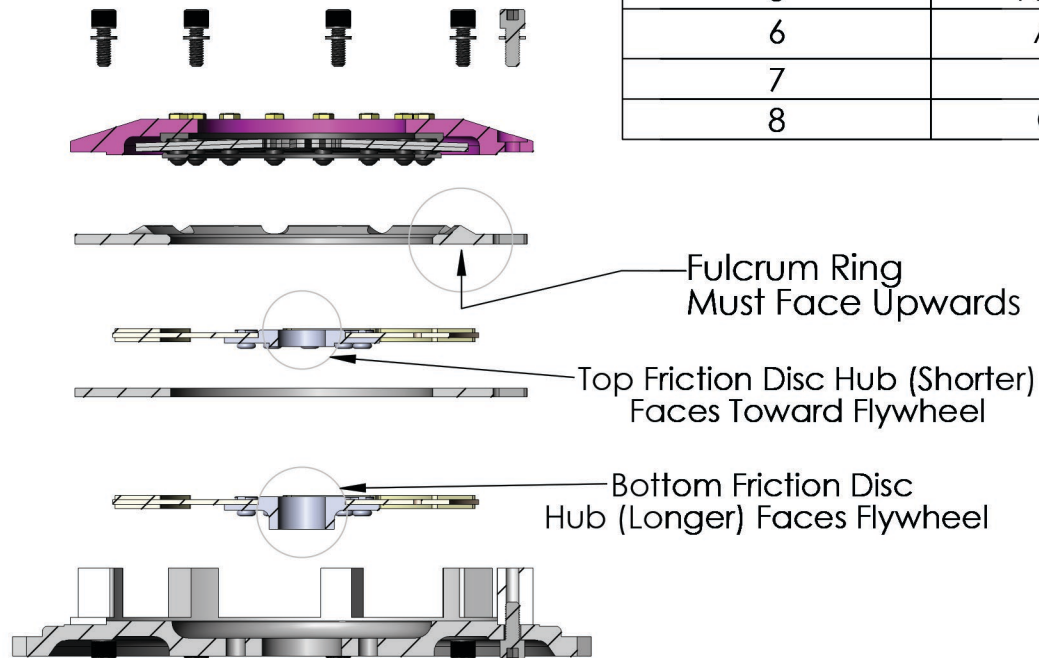




# Multi-plate Installation Tech-Bulletin

| Installation Order | Part                 |
|--------------------|----------------------|
| 1                  | Flywheel             |
| 2                  | Bottom Friction Disc |
| 3                  | Intermediate Plate   |
| 4                  | Top Friction Disc    |
| 5                  | Pressure Plate       |
| 6                  | Alloy Cover          |
| 7                  | Washer               |
| 8                  | Cover Bolts          |



The Real Performance Clutch

200MM (Reverse Hubs)