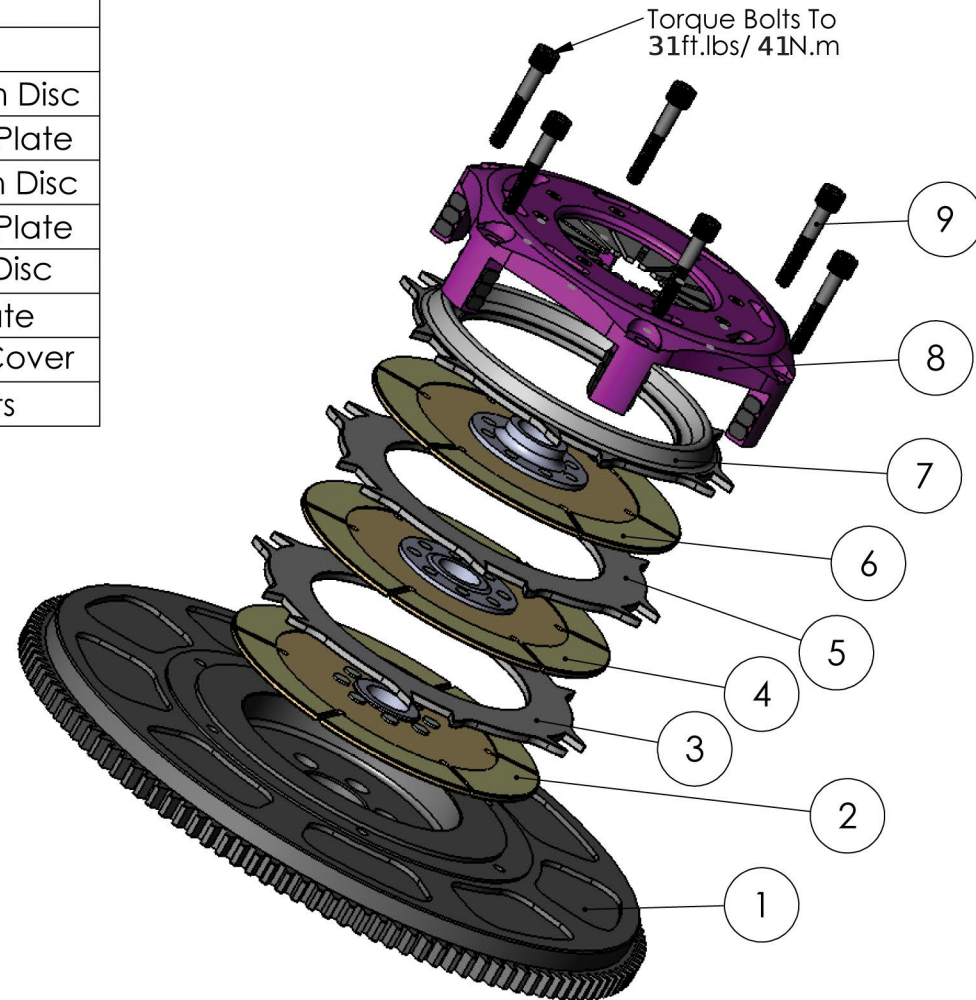
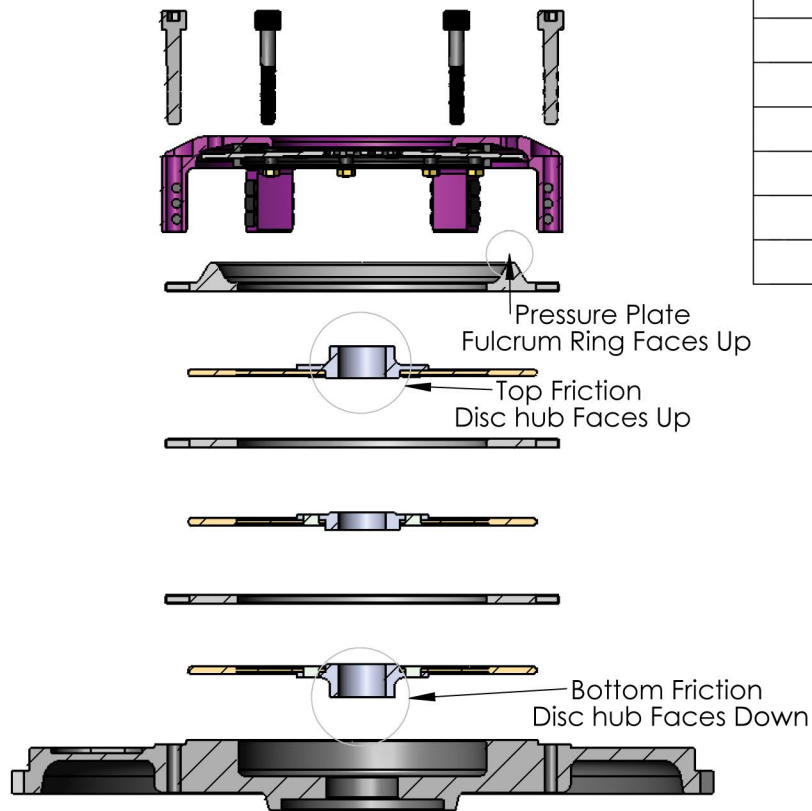




Multi-plate Installation Tech-Bulletin

Installation Order	Part
1	Flywheel
2	Bottom Friction Disc
3	Intermediate Plate
4	Center Friction Disc
5	Intermediate Plate
6	Top Friction Disc
7	Pressure Plate
8	Alloy Clutch Cover
9	Cover Bolts



The Real Performance Clutch

185MM