

Checklist

Wheel Spacers



- Using this checklist you can identify which size of wheel spacer you can put on your car.
- Please send the completed checklist to us. We will be pleased to help you find the correct part numbers.

Attention: Always measure driver side and passenger side. Due to production tolerances the measurements can vary from side to side!

First name: _____

Address: _____

Last name: _____

E-mail: _____

Phone: _____

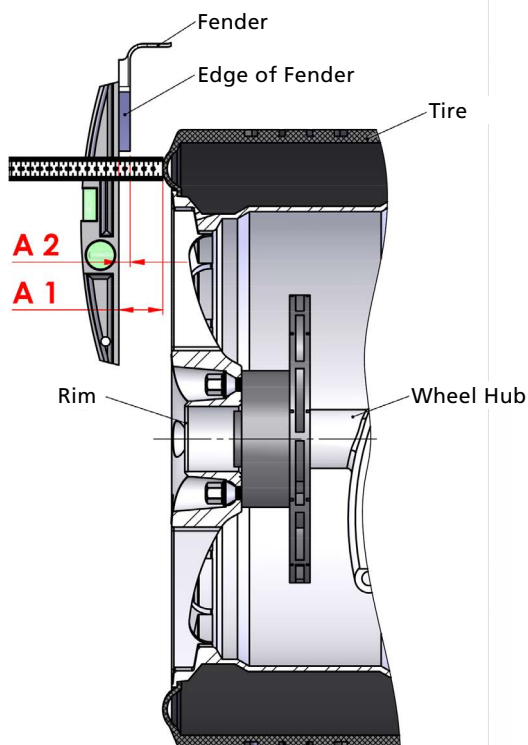
Other: _____

Vehicle (Make / Model): _____ Year _____

Engine: _____ Other Information: _____

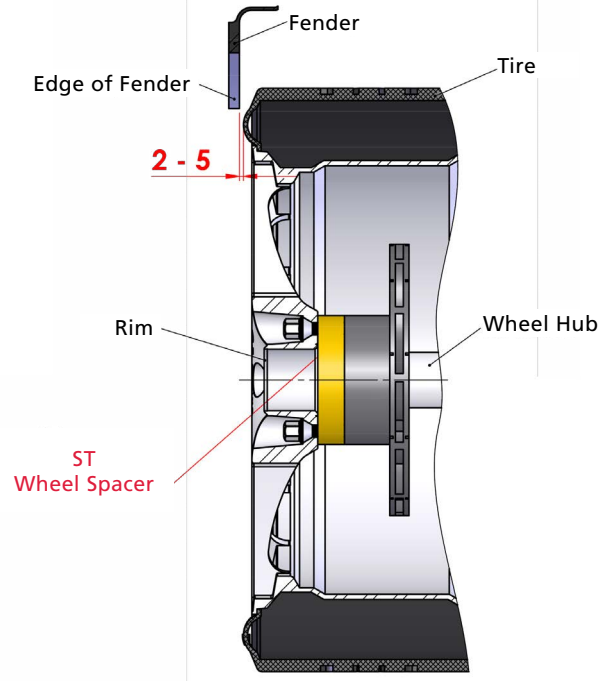
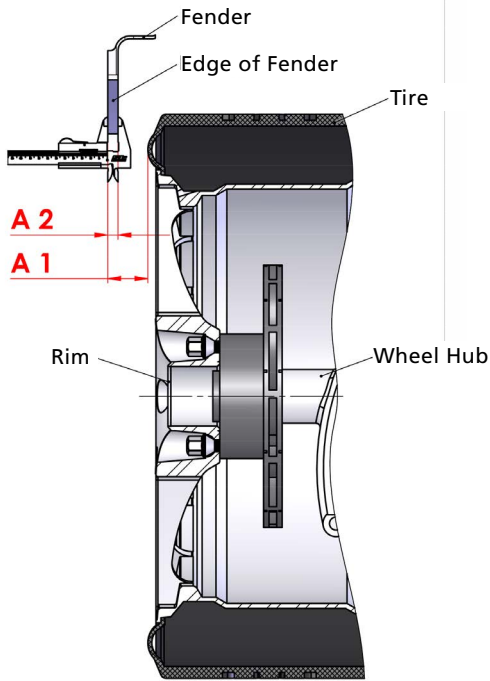
Bolt pattern of the rim: 3 4 5 6

1. Measure the clearance between tire sidewall and a bubble level (A1)



Checklist

Wheel Spacers



2. Measure edge of fender with a caliper (A2)

3. Subtract measure A2 from measure A1 (also subtract 2 to 5 mm to guarantee clearance)

BEFORE



AFTER



A1 ___ mm - A2 ___ mm - 2mm (clearance guarantee) = ___ mm wheel spacer
(example: (A1) 27mm - (A2) 5mm - 2mm = 20mm ST wheel spacer)

Possible wheel spacer thickness per wheel = front axle ___ mm / rear axle ___ mm

Checklist

Wheel bolts / Lug Nuts



· Please fill in the data according to the current wheel hardware specifications.

Seat Type:

Wheel Bolts

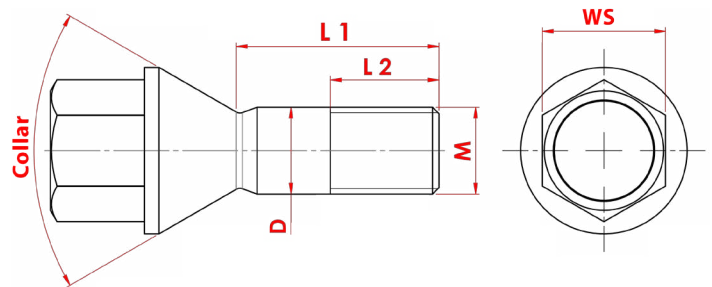
- Conical 60° / Ball Seat - radius _____
 Loose seat / Flat seat

- M: M12x1,25 / M12x1,5
 M14x1,25 / M14x1,5
 Other assets: _____

Wrench Size: 17mm / 19mm

L1: _____ mm / D: \emptyset _____ mm

L2: _____ mm / _____



Seat Type

Wheel Studs

- Conical 60° / Ball Seat - radius _____
 Loose Seat / Flat Seat

- M: M12x1,25 / M12x1,5
 M14x1,25 / M14x1,5
 Other type: _____

Wrench Size, WS: 17mm / 19mm

LS: _____ mm

If available:

L: _____ mm / A: \emptyset _____ mm

L1: _____ mm / B: \emptyset _____ mm

L2: _____ mm / D: \emptyset _____ mm

L3: _____ mm

