



**REAR TOE ARM  
INSTALLATION INSTRUCTIONS:**

**13-UP SCION/TOYOTA FRS/GT86/86 ZN6**

**13-UP SUBARU BRZ ZC6**

**08-14 SUBARU WRX AND STI GR GV**

**09-13 SUBARU FORESTER SH**

**15-UP SUBARU WRX AND STI GJ**

**PART NUMBER:**

**TOSC-0100**

We recommend that installation of all Voodoo13 parts be completed by a professional who is experienced in suspension tuning. With proper installation and maintenance, Voodoo13 suspension products will provide exceptional performance and durability. For any questions, please contact Voodoo13 immediately. We thank you for choosing Voodoo13 for your suspension tuning needs!

### NEED HELP?

Our representatives are here to help you with any questions concerning the operation of this product.

**CALL 480-889-0812**

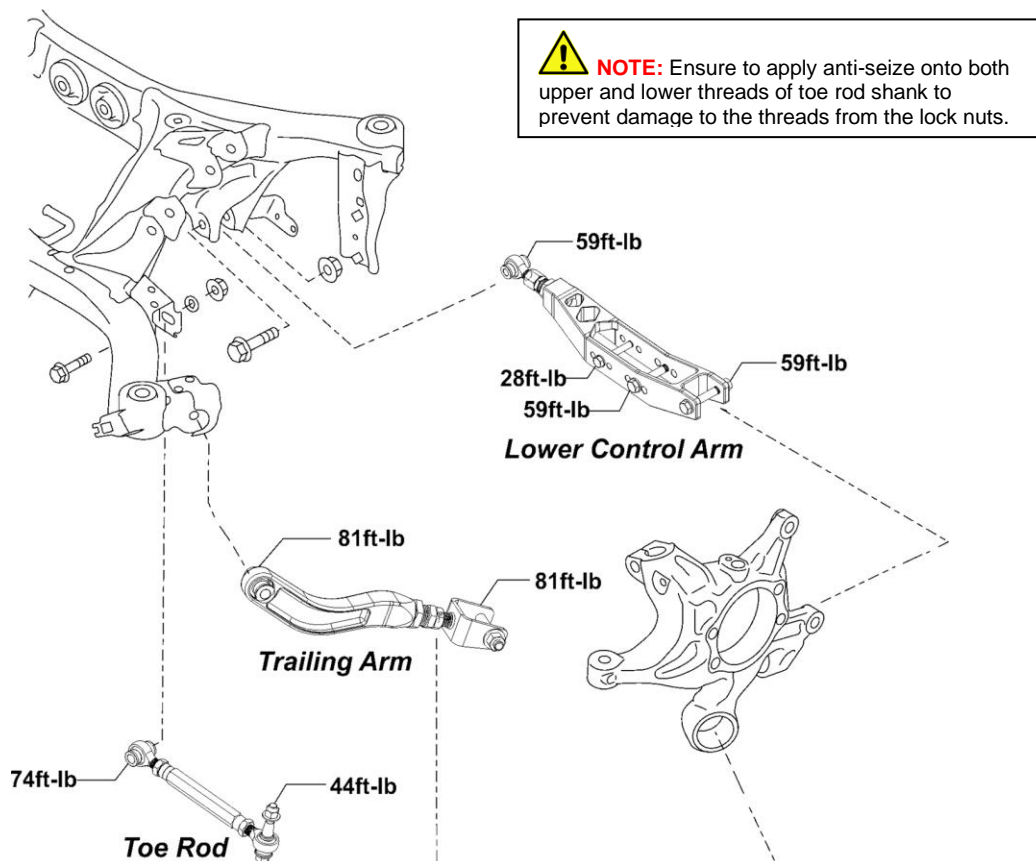
Monday thru Friday 8:30am to 5:30pm MST

## RECOMMENDED TOOLS AND SUPPLIES

- General Mechanics Tool Set

## PART BREAKDOWN

NOTE: For any OE hardware please refer to OEM service manual for torque specifications. For all included hardware, please torque to specifications shown below. It is recommended to use a torque wrench when tightening instead of an impact gun and apply anti-seize on all threads.



## INSTALLATION PROCEDURE

**Step 1:** Lift the vehicle to a safe height using the recommended factory lift points to work underneath the rear suspension. Ensure to place safety jack stands where recommended by manufacturer before anyone goes underneath the car (unless using a vehicle lift with safety locks).

**Step 2:** Remove the lug nuts and the rear wheels to gain access to the rear toe arms.

**Step 3:** Use a pair of pliers to remove the cotter pins located at the rear knuckles. The slotted nuts are held in place with the cotter pin.

**Step 4:** From here you can use a ball joint remover or a hammer. With the hammer technique, loosen the slotted nut 'til it's flush with the shank. Loosen the shank by hitting the side of the knuckle where shank is seated in. Afterwards hit directly on top of the nut to unseat the shank.

**Step 5:** Next proceed to the 12mm bolt for removal, it's located at the rear subframe. Ensure to keep track how the eccentric bolt is put together for reinstallation unless you have purchased our lockout kit.

**Step 6:** To make installation easier, disassemble the toe arm by removing the rod end with the shank. Now bolt up the remaining toe arm to the subframe and torque the bolt to **74ft-lb** using a torque wrench. From here position the hex rod horizontally to point towards the rear knuckle. Now reassemble the toe arm back together while still holding up the toe arm horizontally.

**Step 7:** Insert the shank into the rear knuckle, then hit the bottom of the shank with a rubber mallet to seat the shank firmly into the knuckle.

**Step 8:** Apply anti-seize on threads of the shank be for fastening the provided lock nuts. Next place the two 12mm lock nuts on both ends of the shank. Then tighten both lock nuts 'til they fully seat and then torque them to **44 ft-lb** using a torque wrench.

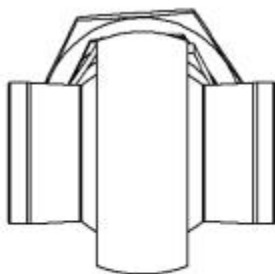
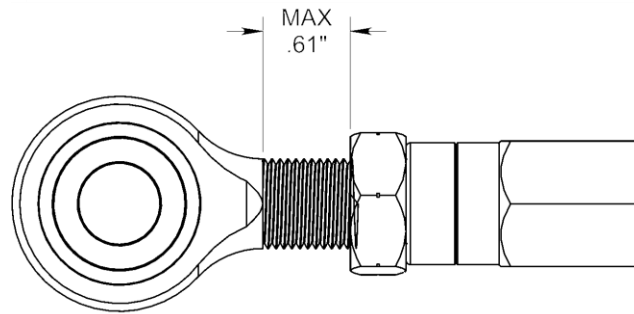
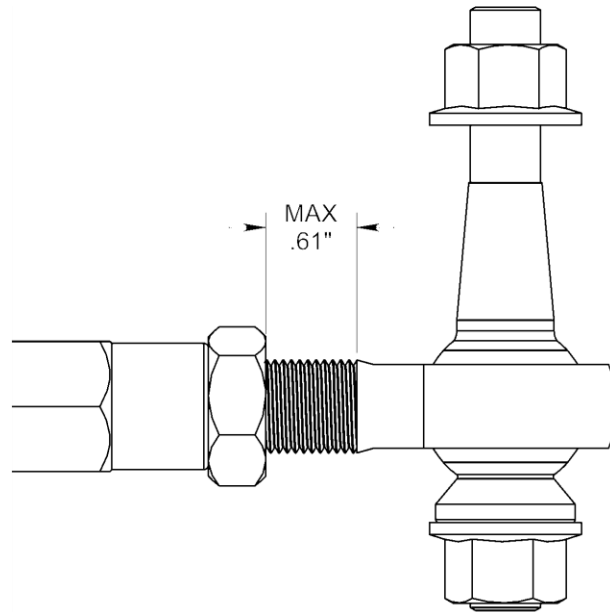
**Step 9:** Ensure jam nuts are all tighten towards the hex rod to prevent alignment changes. Also check and refer to the next page for the rod end guidelines. Make sure rod ends are positioned correctly to prevent premature wear.

**Step 10:** Reinstall wheels and lug nuts. Torque lug nuts to the factory recommended specs.

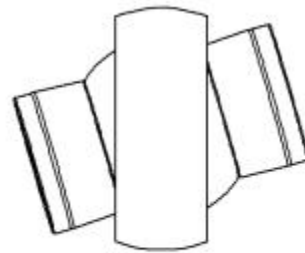
**Step 11:** Lower vehicle safely back to the ground and perform a vehicle alignment. You are finished!

## ROD END ADJUSTMENT GUIDELINES

When adjusting rod end to desired position, adjust so that the rod end and adjuster have approximately the same amount of thread showing. Always use the jam nuts to secure the rod end and adjuster. Never tighten the rod end into the adjuster or the adjuster in the lower control arm as a jamming mechanism.



CORRECTLY POSITIONED



INCORRECTLY POSITIONED  
TOO MUCH STATIC ROD END MISALIGNMENT

# WARRANTY

All products sold are subject to the following warranty:

Voodoo13 offers a Limited Lifetime Warranty for our products to the original retail consumer against defects and workmanship when used on light truck and car applications under normal operating conditions. This warranty does not apply to parts that have been improperly installed or wearable items such as, but not limited to, worn bushings or bearings unless proven to be defective from the manufacturer.

Exterior finish on all Voodoo13 products is not considered a valid warranty; consumers are responsible for the maintenance of paint, anodize or raw metal finish.

The consumer will be responsible for the removal and freight costs both to and from the Distributor from which the product was originally purchased. Proof of purchase and product registration through the Voodoo13 website is mandatory in order to receive warrantee replacement; original invoice from the Distributor from which the product was purchased must accompany the product in question for warrantee.

Voodoo13 has the right to refuse a warrantee claim if procedures are not met by the original consumer. All returns must have an R.M.A. approval from Voodoo13 prior to shipping direct to the Voodoo13 facility. Exclusions from this warranty are sales outside of the United States, the finish, dents, rust, or any condition caused by abnormal use or neglect.

## WARNING

High performance parts. For off-road use only. Installation should be carried out by a qualified facility. Improper use or installation may result in injury or death.



### VOODOO13

254 W Broadway Rd

Mesa, AZ 85210

Ph: 480.889.0812

Fax: 480.829.8103

[www.VOODOO13USA.com](http://www.VOODOO13USA.com)