



**SUBARU REAR LATERAL LINKS(REAR)  
INSTALLATION INSTRUCTIONS:**

**02-07 SUBARU WRX STI GD  
02-07 SUBARU WRX WITH STI SWAY BARS  
(NON-AUTO LEVELING HID MODELS)**

**PART NUMBER:  
LLSU-020R**

We recommend that installation of all Voodoo13 parts be completed by a professional who is experienced in suspension tuning. With proper installation and maintenance, Voodoo13 suspension products will provide exceptional performance and durability. For any questions, please contact Voodoo13 immediately. We thank you for choosing Voodoo13 for your suspension tuning needs!

### NEED HELP?

Our representatives are here to help you with any questions concerning the operation of this product.

**CALL 480-889-0812**

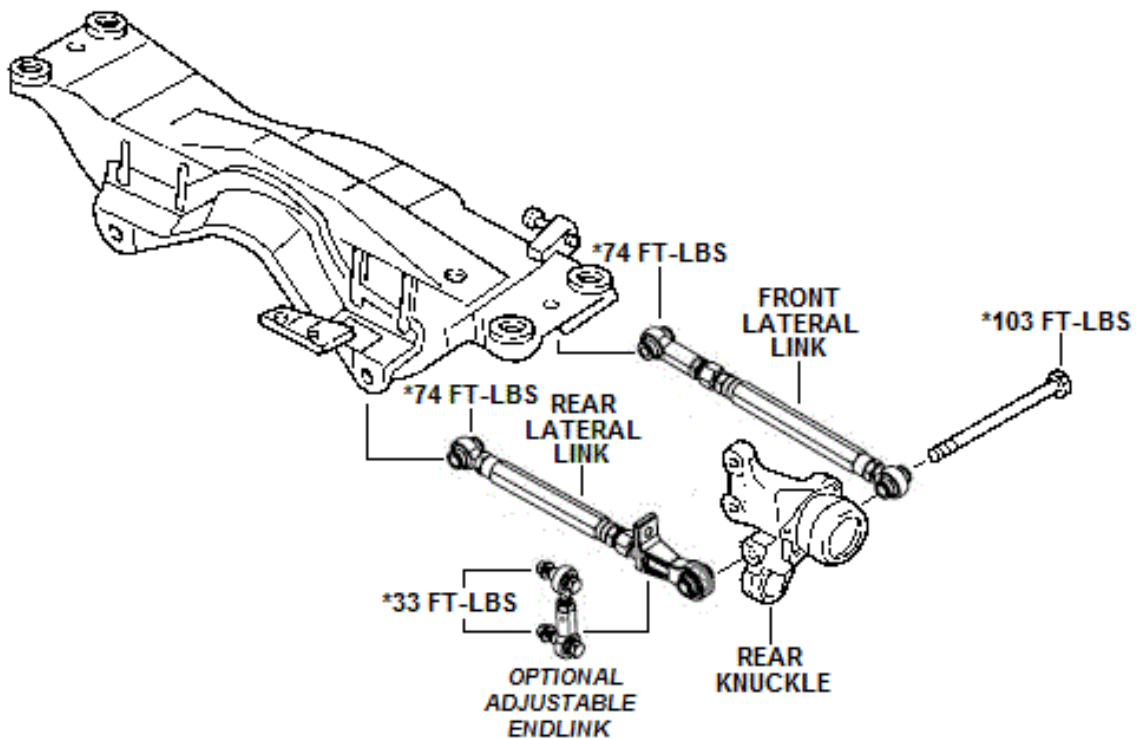
Monday thru Friday 8:30am to 5:30pm MST

## RECOMMENDED TOOLS AND SUPPLIES

- General Mechanics Tool Set
- Jack and Jack Stands

## PART BREAKDOWN

NOTE: For any OE hardware please refer to OEM service manual for torque specifications. For all included hardware please torque to specifications shown below.



## INSTALLATION PROCEDURE

**Step 1:** Lift the vehicle to a safe height using the recommended factory lift points to work underneath the rear suspension. Ensure to place safety jack stands where recommended by Subaru before anyone goes underneath the car (unless using a vehicle lift with safety locks).

**Step 2:** Remove the rear wheels to access the bolts securing the lateral links.

**Step 3:** Remove the rear sway bar endlinks from the rear lateral link.

**Step 4:** Next proceed to the 14mm diameter bolt on the lower portion of the rear knuckle. This bolt is securing both front and rear lateral links. Once removed, proceed to the bolt holding the lateral link on the subframe and remove the 14mm diameter bolt. The arm should now be free.

**Step 5:** With the arm off, set it aside with the new Voodoo13 lateral link for length reference. Adjust accordingly to the rod end adjustment guidelines. Leave jam nuts loosened until the new arm is installed.

**Step 6:** Now ensure the male rod end is towards the subframe. Install the billet rod end is towards the rear knuckle side (see diagram). **TORQUE TO 103 FT-LBS**

**Step 7:** The male rod end should now be installed on the subframe with a 14mm bolt. **TORQUE TO 74 FT-LBS.**

**Step 8:** Inspect the rod ends to ensure the orientation of the spherical ball joints are in correct alignment. The misalignment spacers should not be crooked (see diagrams on next page). Incorrect alignment of the spacers may decrease life of the spherical.

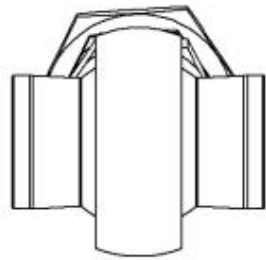
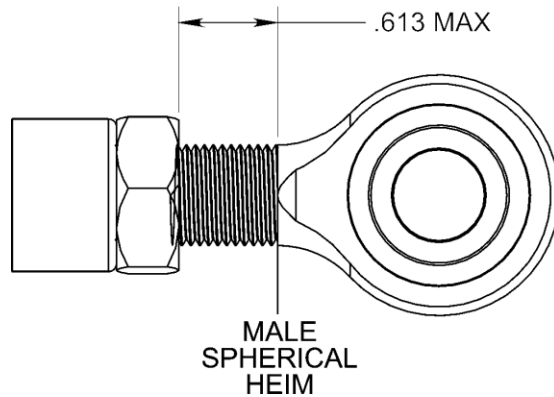
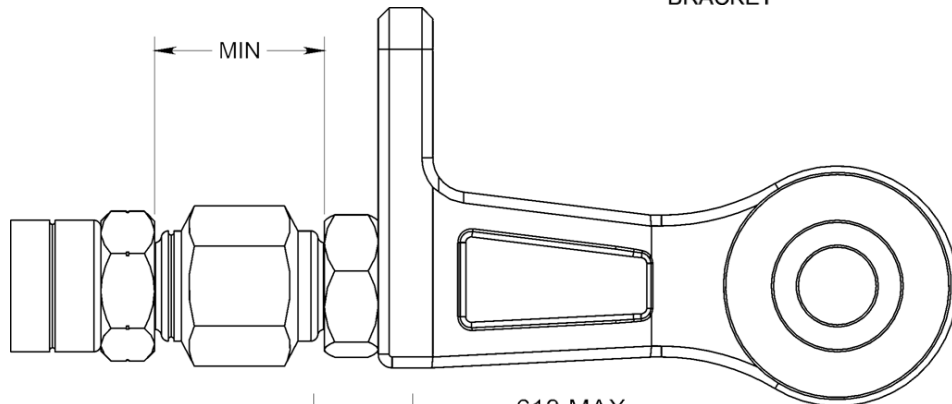
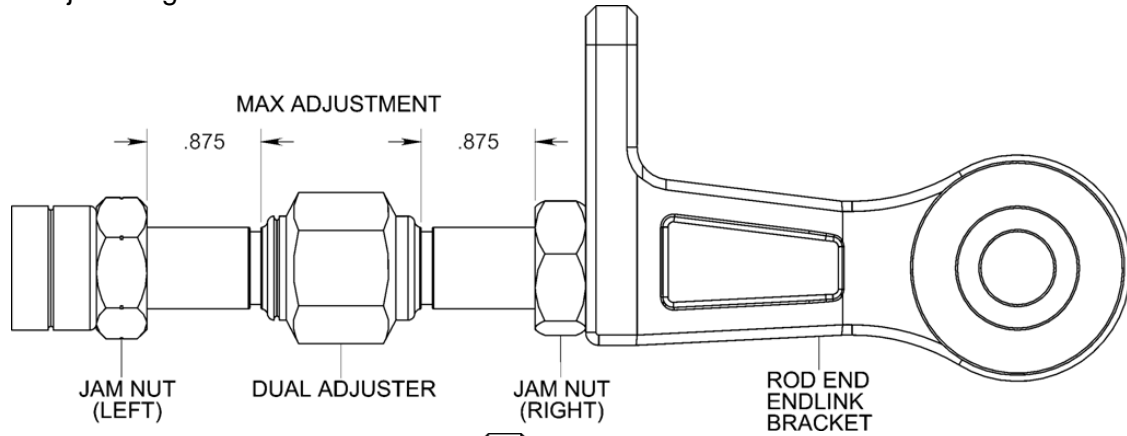
**Step 9:** Lock the length of the arm by tightening the jam nuts. Place the wheels back on and torque accordingly to via factory service manual specifications.

**Step 10:** Lower vehicle safely back to the ground and perform a vehicle alignment. You are finished!

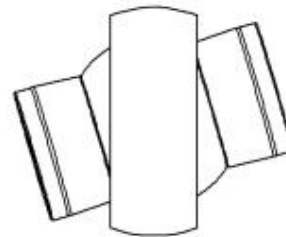
**Note:** *Take care during adjusting. Damage may be done to the drivetrain such as the rear differential and the rear axles. Excess adjustment in extending the lateral links may cause tire to fender interference and may cause the axle to pop out.*

## ROD END ADJUSTMENT GUIDELINES

When adjusting rod end to desired position, adjust so that the rod end and adjuster have approximately the same amount of thread showing. Always use the jam nuts to secure the rod end and adjuster. Never tighten the rod end into the adjuster or the adjuster in the lower control arm as a jamming mechanism.



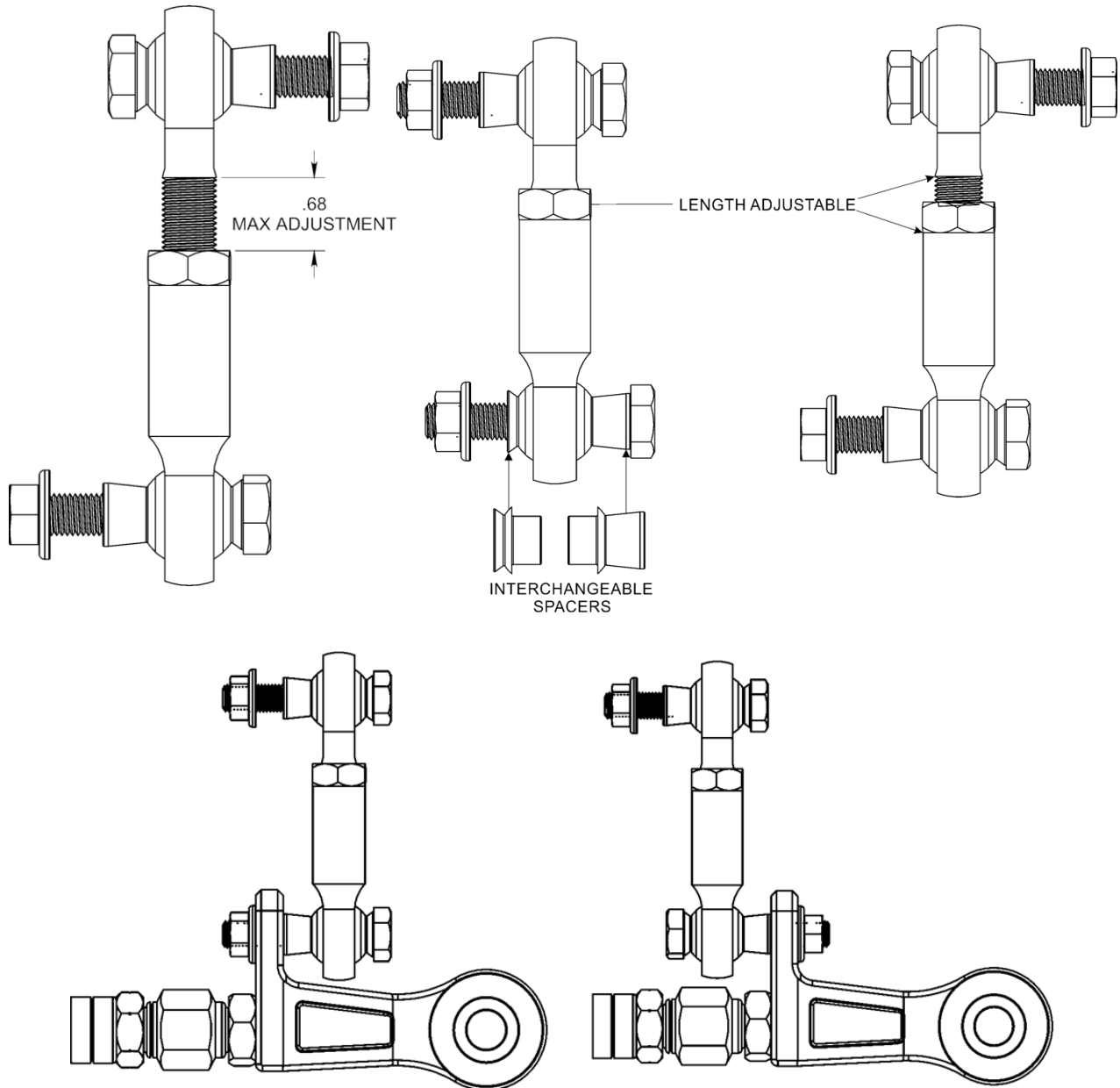
CORRECTLY POSITIONED



INCORRECTLY POSITIONED  
TOO MUCH STATIC ROD END MISALIGNMENT

# ADJUSTABLE ENDLINK GUIDE

The optional adjustable spherical endlink is a direct fit to 04-07 STi models. However, this adjustable endlink is able to be configured and utilize the 02-07 WRX sway bars. Mount the endlink in the most perpendicular fashion adjacent the rear lateral link. Endlink placement may change due to the change in length of the lateral link.



MOUNT THE ENDLINK AS PERPENDICULAR TO LATERAL LINKS TO ENSURE PROPER PERFORMANCE OF THE SWAY BARS. ADJUST THE CONFIGURATION OF THE ENDLINK TO SUIT THE DESIRE SETUP.

# WARRANTY

All products sold are subject to the following warranty:

Voodoo13 offers a Limited Lifetime Warranty for our products to the original retail consumer against defects and workmanship when used on light truck and car applications under normal operating conditions. This warranty does not apply to parts that have been improperly installed or wearable items such as, but not limited to, worn bushings or bearings unless proven to be defective from the manufacturer.

Exterior finish on all Voodoo13 products is not considered a valid warranty; consumers are responsible for the maintenance of paint, anodize or raw metal finish.

The consumer will be responsible for the removal and freight costs both to and from the Distributor from which the product was originally purchased. Proof of purchase and product registration through the Voodoo13 website is mandatory in order to receive warrantee replacement; original invoice from the Distributor from which the product was purchased must accompany the product in question for warrantee.

Voodoo13 has the right to refuse a warrantee claim if procedures are not met by the original consumer. All returns must have an R.M.A. approval from Voodoo13 prior to shipping direct to the Voodoo13 facility. Exclusions from this warranty are sales outside of the United States, the finish, dents, rust, or any condition caused by abnormal use or neglect.

## WARNING

High performance parts. For off-road use only. Installation should be carried out by a qualified facility. Improper use or installation may result in injury or death.



**VOODOO13**  
115 N Sunway Drive  
Gilbert, AZ 85233  
Ph: 480.889.0812  
Fax: 480.829.8103  
[www.VOODOO13USA.com](http://www.VOODOO13USA.com)