

VCC13

THIRTEEN



SUBARU FRONT ADJUSTABLE SWAY BAR END LINKS INSTALLATION INSTRUCTIONS:

**13-17 CROSSTREK
14-18 FORESTER
10-14 OUTBACK
15-20 STI/WRX
06-14 TRIECA**

**PART NUMBER:
ADEL-0200**

It is recommended the installation of all Voodoo13 parts be completed by an experienced suspension tuning professional. With proper installation and maintenance, Voodoo-13 suspension products will provide exceptional performance and durability. For any questions, please contact Voodoo 13 immediately. Thank you for choosing Voodoo-13 for your suspension component needs!

NEED HELP?

Representatives are here to help with any questions concerning the operation of this product.

CALL 480-889-0812

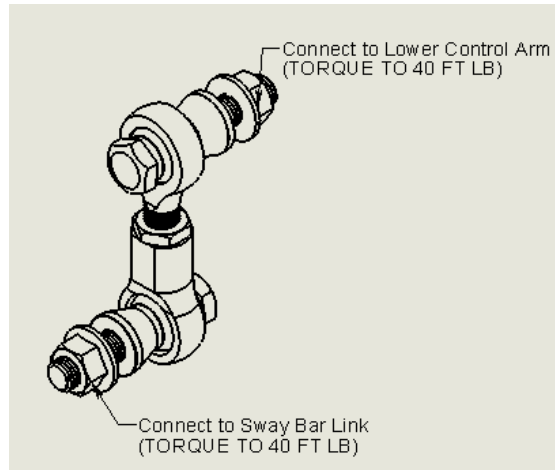
Monday thru Friday 8:30am to 5:30pm MST

RECOMMENDED TOOLS AND SUPPLIES

- General Mechanics Tool Set
- Vehicle Jack and Jack Stands
- Torque Wrench
- 14mm Wrench or Socket
- 17mm Wrench

PART BREAKDOWN

NOTE: For any OEM hardware please refer to OEM service manual for torque specifications. For all included hardware please torque to the specifications shown below. It is recommended to use a torque wrench when tightening instead of an impact wrench. Apply anti-seize to all hardware threads.



INSTALLATION PROCEDURE

Step 1: Lift the vehicle to a safe height using the recommended factory lift points to work underneath the front suspension. Ensure placement of safety jack stands where recommended by the manufacturer's service manual before working underneath the vehicle (unless using a vehicle lift with safety locks).

NOTE: If you can lift the entire front suspension where the rear wheels are off the ground, this will ease the process of removing the OEM end links.- If you can only lift one side of the vehicle, you will need to use a floor jack on the lower portion of the knuckle to relieve the tension on the sway bar

Step 2: First use a 14mm socket to remove the nut securing the Endlinks to the sway bar and front lower control arm.

Step 3: Adjust the Voodoo13 end links to the same length as the factory end links by rotating the threaded heim joint clockwise or counterclockwise. Measurement of the OEM end links is taken from the center of one ball joint to the other.

Note: Increasing the length of the Voodoo13 end links compared to the OEM end links is an acceptable way of increasing the spring rate of the sway bar, however, take into consideration the length of the sway bar does not interfere with any vehicle components such as the lower control arms or the vehicle chassis. Since Voodoo13 end links are independently adjustable in length, a preloaded sway bar can improve the corner balancing of a vehicle with height-adjustable shocks or struts or an uneven suspension ride height.

Step 4: Prepare to install the Voodoo13 end links with the spacers facing the sway bar and knuckle assembly. Install one hex bolt through the heim joint, spacer, and sway bar. Then secure with one locking hex nut. Repeat these steps for the opposite side of the vehicle's suspension.

Step 5: Once the Voodoo13 end links are installed to the proper length on both the driver and passenger side of the vehicle, torque the (4) hex nuts to **40 lbf-ft** using a torque wrench while holding the hex bolt heads with a 17mm wrench.

NOTE: With the Voodoo13 end links installed and the vehicle resting on a flat surface, the sway bar preload can be adjusted

Step 6: Once the desired lengths of the Voodoo13 end links are established, tighten the (4) jams nuts against the heim joints on both sides of the end link. Properly torque the jams nuts to **30 lbf-ft** using torque wrench.

NOTE: Ensure that all hardware is torqued to the correct specification. Re-check the hardware torque specification after 50 miles of continuous driving to ensure proper installation.

WARRANTY

All products sold are subject to the following warranty:

Voodoo13 offers a Limited Lifetime Warranty for our products to the original retail consumer against defects and workmanship when used on light truck and car applications under normal operating conditions. This warranty does not apply to parts that have been improperly installed or wearable items such as, but not limited to, worn bushings or bearings unless proven to be defective from the manufacturer.

Exterior finish on all Voodoo13 products is not considered a valid warranty; consumers are responsible for the maintenance of paint, anodize or raw metal finish.

The consumer will be responsible for the removal and freight costs both to and from the Distributor from which the product was originally purchased. Proof of purchase and product registration through the Voodoo13 website is mandatory in order to receive warranty replacement. Original invoice from the Distributor from which the product was purchased must accompany the product in question for warranty consideration.

Voodoo13 has the right to refuse a warranty claim if procedures are not met by the original consumer. All returns must have an R.M.A. approval from Voodoo13 prior to shipping direct to the Voodoo13 facility. Exclusions from this warranty are sales outside of the United States, the finish, dents, rust, or any condition caused by abnormal use or neglect.

 **WARNING**

High performance parts. For off-road use only. Installation should be carried out by a qualified facility. Improper use or installation may result in injury or death.



VOODOO13

254 W Broadway Rd

Mesa, AZ 85210

Ph: 480.889.0812

Fax: 480.829.8103

www.VOODOO13USA.com