

**2008-2014 SUBARU STI & 11-14 WRX HATCHBACK 4 POINTS MUD FLAP INSTALLATION INSTRUCTIONS**

For high resolution color images of these instructions, please visit <http://www.rallyarmor.com>

To protect your Rally Armor mud flap set, care must be taken during parking and reversing.

**Rally Armor is not responsible for damage or loss of installed flaps.**



YOUR MOUNTING HARDWARE CONSISTS OF:				RECOMMENDED TOOLS:
Quantity	Hardware Item	Item ID	View	<p><b>Recommended tools:</b> Offset, ratcheting or stubby Phillips screwdriver, small flat head screwdriver, drill and bit assortment, marker.</p> <p><b>To the customer:</b> Retain these instructions after installation. They may be necessary for installing other optional parts or removal of this accessory.</p> <p><b>To the installer:</b> Please return these instructions to the customer after installation. Always test and check wheel clearance before returning vehicle</p>
4	Flat U Clips	UClip		
8	Anchors	EXPANCH		
8	Long Screws	1SS		
8	Short Screws	.75SS		
12	Washers	SmWash		
1	Expansion Tool	Expanchkey		

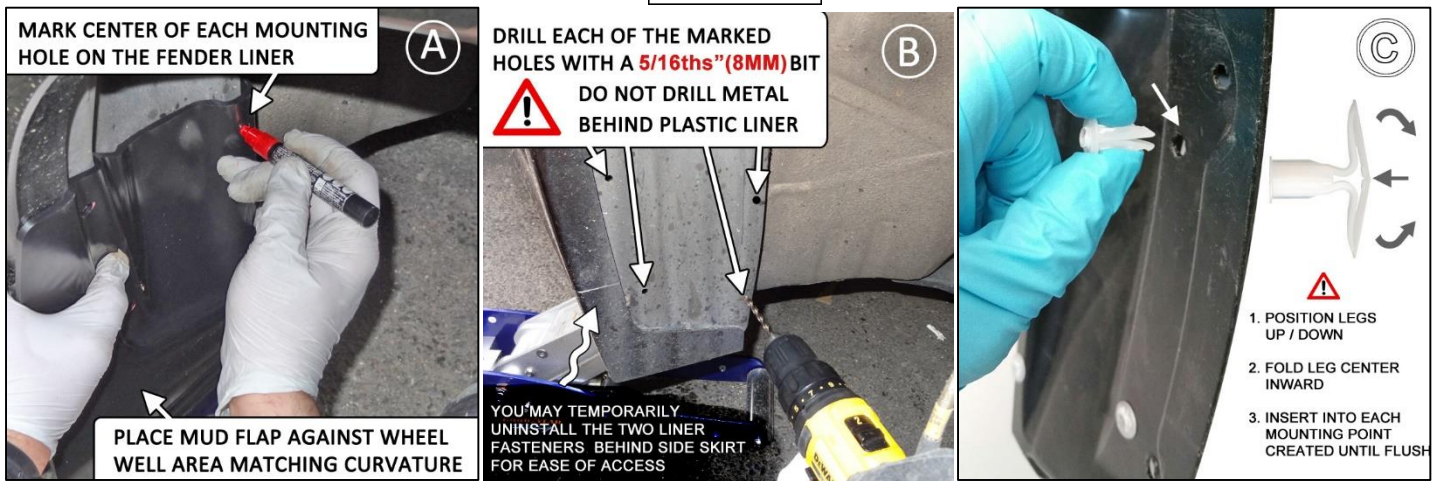
**FRONT MUD FLAPS- PLEASE READ THE INSTRUCTIONS THOROUGHLY**

**Figure A.** -Remove front tire. Carefully place mud flap against vehicle in a manner where it matches the curvature of the wheel well and side skirt. Mark the center each of the mounting points with a marker.

**Figure B.** - Using a 5/16ths” (8mm) bit, drill a hole in each of the mounting points you have marked. **Create these holes in the plastic liner only, do not drill into the sheet metal of the vehicle.** You can also remove the two liner fasteners as to allow you to manipulate the liner to your preferred position.

**Figure C.** – Ensure anchor legs are positioned in an up /down manner as shown. With the legs folded inward, install the anchor into the mounting point created until the base of is flush against the liner. Expand the anchor afterwards by inserting the red anchor tool inside the anchor and pushing it inwards until the legs expand behind the liner. You can also temporarily uninstall the two liner fasteners as to allow you to view the rear liner area.

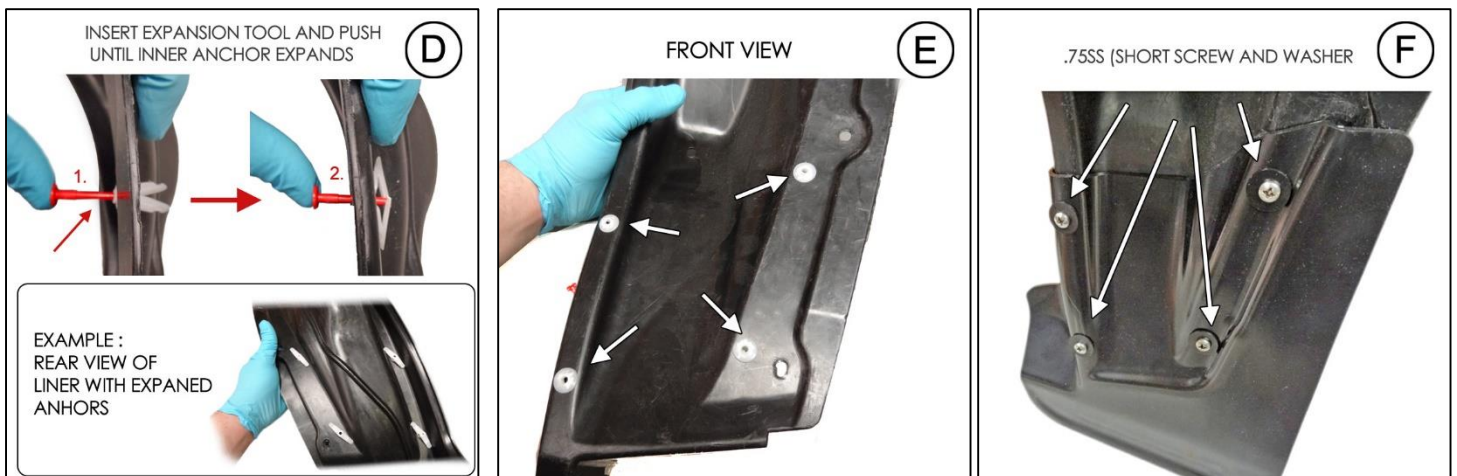
## IMF 30



**Figure D.** –Expand the anchor by inserting the red tool inside the anchor and pushing it inwards until the legs expand. To ensure a flush fit on the outer edge of the vehicle. You can remove the liner fasteners and perform this hold

**Figure E.** –Example of all anchors installed correctly. Flush with the liner.

**Figure F.** Place mud flap against matching mounting points. Thread a SHORT screw with washer through the each mounting point. Tighten only until snug. Do not over-tighten.



## **REAR MUD FLAPS- PLEASE READ THE INSTRUCTIONS THOROUGHLY**

**Figure G.** -Remove rear tire. **Carefully** remove and retain factory fastener. You will be re-using this piece. Place two flat U-Clips over the two outer mounting holes in the bumper.

**Figure H.** - Place mud flap against vehicle in a manner where it matches the curvature of the wheel well and liner.

Re-install factory fastener through mud flap into original mounting point. Thread a screw with washer through the two outer mud flap mounting points. Adjust mud flap to ensure it is perpendicular to the ground. Tighten only until snug. Do not over-tighten.

# IMF 30

**!** IMPORTANT TO RE-INSTALL FASTENER ON LINER THOUGH MUD FLAP

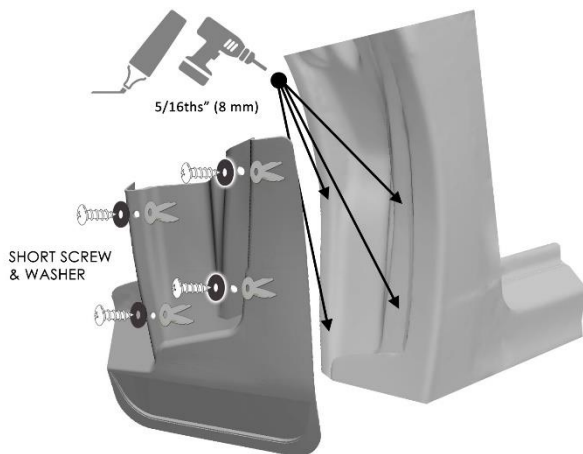
1. REMOVE INNER PORTION OF FASTENER
2. INSERT OUTER PORTION FLUSH INTO MOUNTING HOLE
3. PUSH INNER PORTION IN WITH FORCE UNTIL FLUSH



**Figure I.** – Using a Philips driver, install two screws (no washers) through the remaining mounting holes. The screws will self-tap and go into the plastic liner.



## FRONT INSTALLATION



## REAR INSTALLATION

