

## 2020+ Hyundai Venue Mud Flap Installation Instruction

View instructions and photos online [www.rallyarmor.com](http://www.rallyarmor.com)

**CARE AFTER INSTALLATION** Once installed, the vehicle owner is responsible for the condition of the mud flaps and all costs associated with replacing damaged or lost parts. Warranty covers manufacturer defect on new, never installed parts.

⚠ Watch for blind spots when parking ⚠ Avoid contact with curbs, bumps and objects that can compress the flaps with excessive force. Be sure to check wheel clearances, especially on vehicles equipped with aftermarket wheels and suspensions.

QUESTION ON INSTALLATION? CONTACT US ONLINE [www.rallyarmor.com/support](http://www.rallyarmor.com/support)

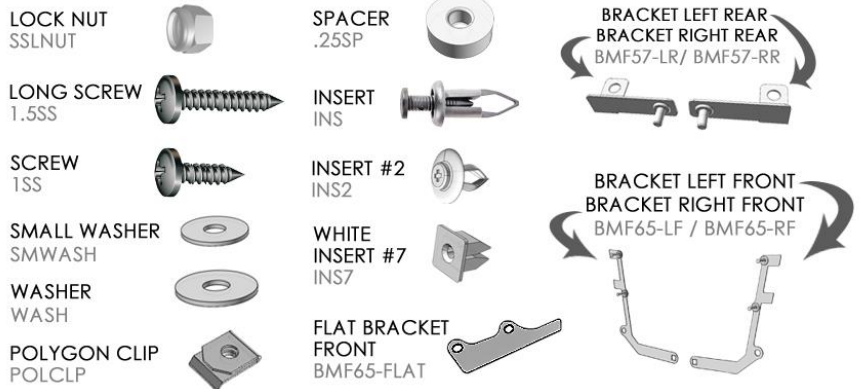
NEED TO PURCHASE REPLACEMENT PARTS? SEND RECEIPT OR PHOTO OF RALLY ARMOR LOGO ON FLAPS TO US

### IMPORTANT NOTES



### INSTALLATION KIT CONTENTS

QUANTITY	PART	ITEM ID
4	POLYGON CLIP	POLCLP
2	INSERT	INS
2	INSERT #2	INS2
6	LOCK NUT	SSLNUT
4	LONG SCREW	1.5SS
2	SCREW	1SS
8	SMALL WASHER	SMWASH
4	SPACER	.25SP
4	WASHER	WASH
2	WHITE INSERT #7	INS7
2	FLAT BRACKET FRONT	BMF65-FLAT
1	BRACKET LEFT FRONT	BMF65-LF
1	BRACKET RIGHT FRONT	BMF65-RF
1	BRACKET LEFT REAR	BMF57-LR
1	BRACKET RIGHT REAR	BMF57-RR



**Recommended Tools** Low-profile offset or ratcheting screw driver, 7/16<sup>th</sup> wrench, flathead screwdriver, small pick or screw driver.

**Important Tips** Installation should be done on an even surface. **Do not use power tools to tighten hardware.** Hand tools only. Avoid overtightening.

### RALLY ARMOR - A BIT ABOUT OUR STANDARD IN MUD FLAPS

Rally Armor mud flaps are fabricated from a high grade polyurethane plastic that is rigorously reviewed for quality and consistency. As with all manufacturing processes, controlled conditions and multiple QC checkpoints minimize major irregularities, however certain very minor surface layer marks appear periodically. These are visual variations that do not affect construction nor do they impede the performance of the flaps. Most matte away as the material ages naturally with continued exposure to the outdoors. Each flap is unique in appearance yet all are equally structurally sound.

**2020+ Hyundai Venue Mud Flap Installation Instruction**

**FRONT MUD FLAP**

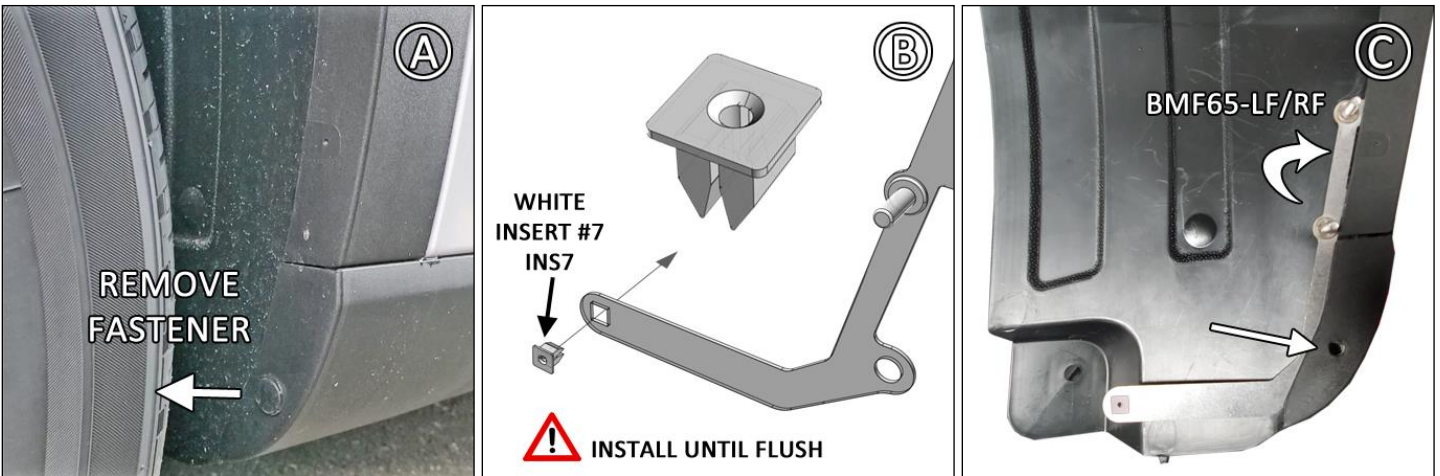
**Bracket & Hardware 1 x Front Flap → 1 x BMF65-FLAT; 1 x BMF65-LF/RF; 1 x 1SS; 1 x INS2; 1 x INS7; 3 x SMWASH; 2 x SSLNUT**

Turn steering wheel towards the side you are working on to gain access to the inner wheel well area.

**FIGURE A** Remove factory side skirt insert.

**FIGURE B** Install WHITE INSERT #7 INS7 into the lowest mounting point on BRACKET LEFT/RIGHT FRONT BMF65-LF/RF until flush.

**FIGURE C** Install BRACKET BMF65-LF/RF between side skirt and liner. Visually confirm the inner mounting point is visible through the side skirt.



**FIGURE D** Logo-side of flap facing rear of vehicle, install FLAT BRACKET FRONT BMF65-FLAT using two LOCK NUT SSLNUT with SMALL WASHER SMWASH through corresponding BMF65-LF/RF bracket stud. Bracket grips the upper portion of the mud flap to the arch. Innermost mount utilizes SCREW 1SS and SMALL WASHER.

**FIGURE E** Separate INSERT #2 INS2 interior piece from outer. Install outer through flap mounting point into original fastener location.

**FIGURE F** Adjust bracket and flap to confirm flap is aligned to even ground. **Hand tighten until washers seated against flap.**



**2020+ Hyundai Venue Mud Flap Installation Instruction**

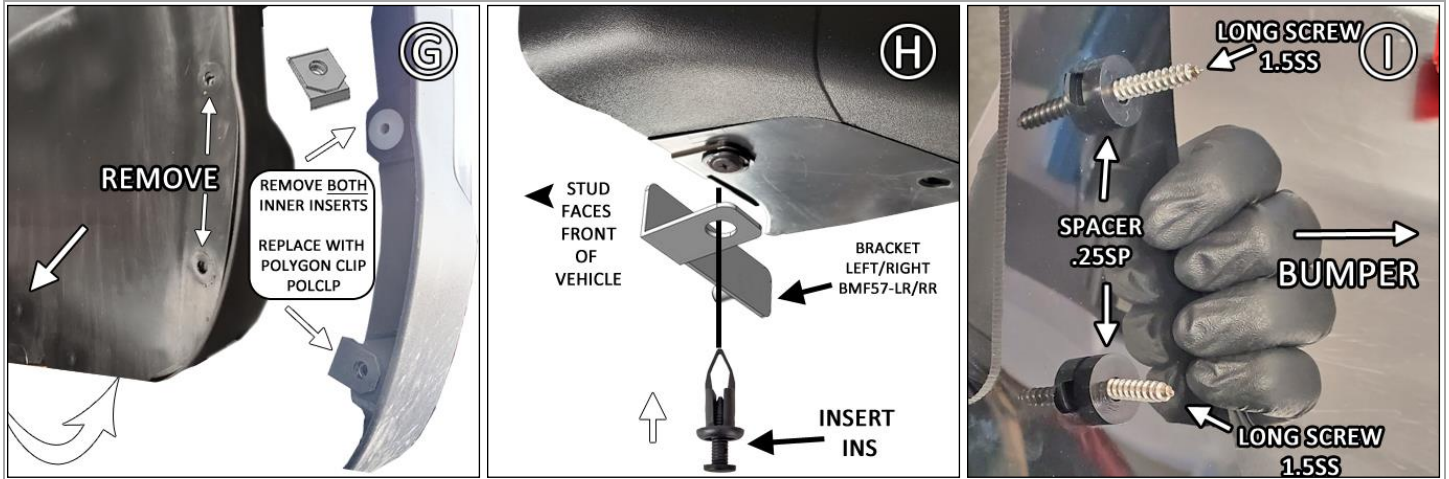
**REAR MUD FLAP**

**Bracket & Hardware 1 x Rear Flap → 1 x BMF57-LR/RR; 2 x 1.5SS; 1 x INS; 2 X .25SP; 1 x SMWASH; 1 x SSLNUT; 2 x WASH**

**FIGURE G** Remove two upper and lower wheel well liner fasteners. **Remove inner inserts found behind liner and replace with POLCLP.**

**FIGURE H** Install BRACKET LEFT/RIGHT REAR BMF57-LR/RR against lower mounting point. Press INSERT INS into rear fastener to lock in place. BRACKET nests flat against liner.

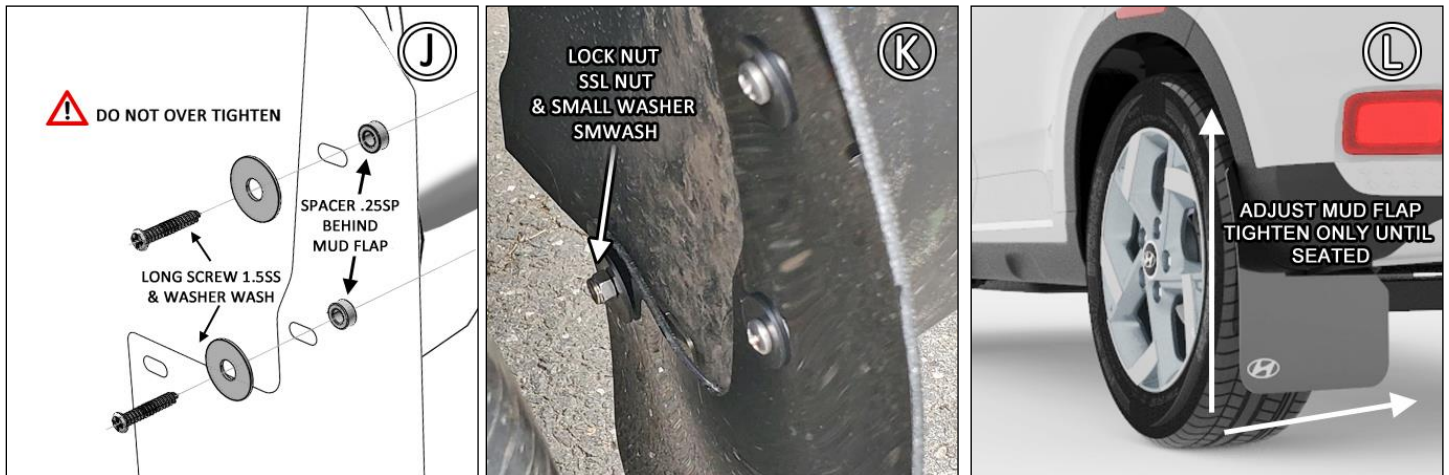
**FIGURE I** Note that SPACER .25SP mounts **behind mud flap** against mounting points 1 and 2.



**FIGURE J.** Logo-side of flap facing rear of vehicle, install two LONG SCREW 1.5SS with WASHER WASH through corresponding mud flap mounting points with SPACER on the logo side.

**FIGURE K** Innermost mount requires LOCK NUT and WASHER. **Do not tighten completely.**

**FIGURE L** Ensure mud flap is parallel to even ground. **Hand tighten only until washers seated.**



# IMF65



## 2020+ Hyundai Venue Mud Flap Installation Instruction

