



INSTALLATION INSTRUCTIONS

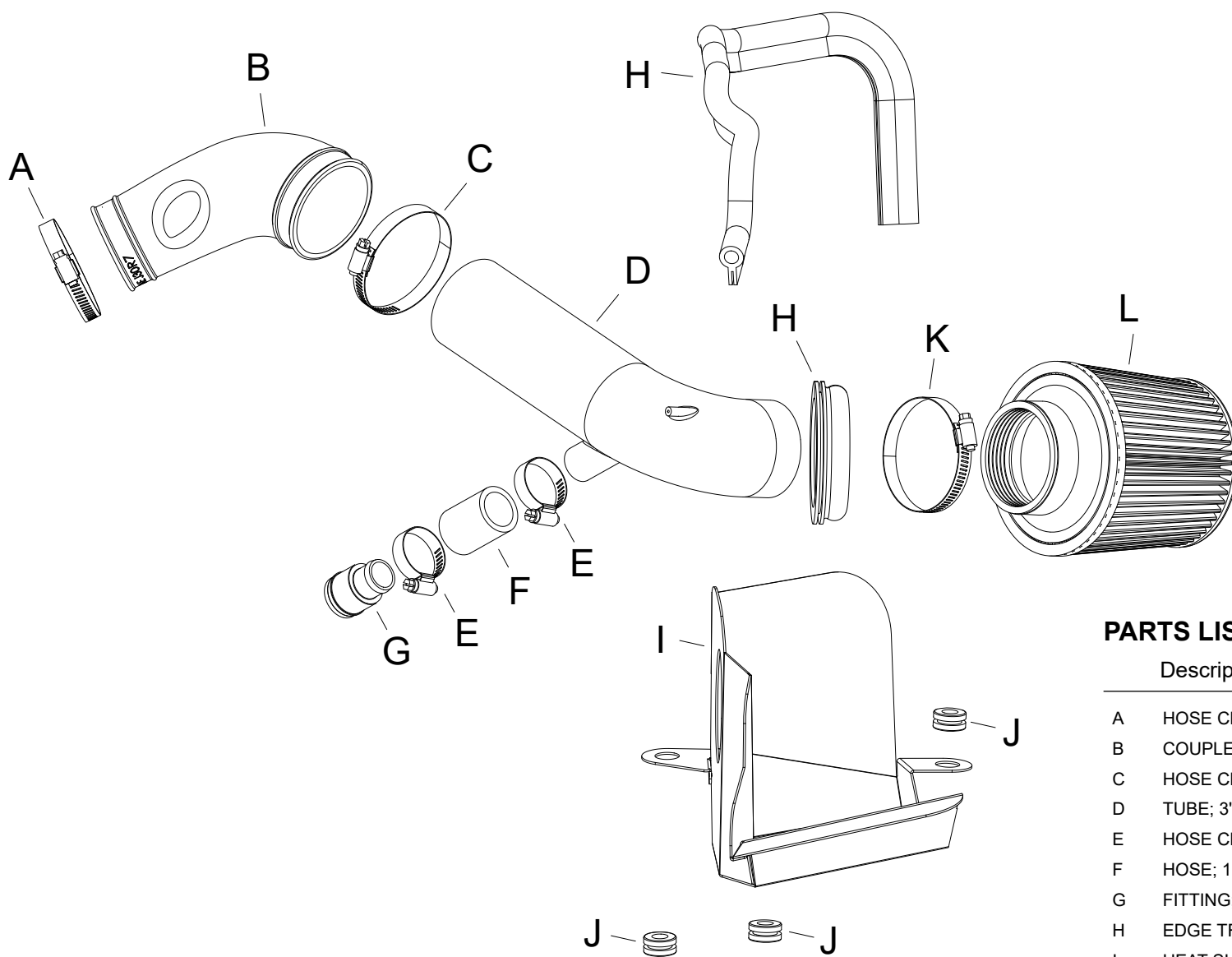
21-862C (Gun Metal Gray Finish)
VOLKSWAGEN
2019 Jetta
L4-1.4L Turbo

NOT LEGAL FOR SALE OR USE ON ANY POLLUTION CONTROLLED MOTOR VEHICLE IN CALIFORNIA OR STATES ADOPTING CALIFORNIA EMISSION PROCEDURES.

See aemintakes.com for CARB status on each part for a specific vehicle

TOOLS NEEDED:

flat blade screw driver
 pliers
 ratchet
 t25 torx



PARTS LIST:

	Description	Qty.	Part #
A	HOSE CLAMP; #40	1	08554
B	COUPLER; 2.44"ID X 3"ID	1	5-1101
C	HOSE CLAMP; #48	1	08601
D	TUBE; 3"OD X 15"L GUNMETAL	1	2-1632C
E	HOSE CLAMP; #16	2	08413
F	HOSE; 1.125"ID X 2"L	1	084074
G	FITTING; 1-1/8"OD QUICK	1	088012
H	EDGE TRIM; 3/4" BULB, TOP	1	102490
I	HEAT SHIELD, 2019	1	20-8649
J	GROMMET; 1"OD, 1/2"ID, 1/2"	3	08064
K	1/2" BNDHOSE CLAMP, 2.90"	1	9452
L	AIR FILTER; 3" X 5" DRYFLOW	1	21-203DK

If you need any assistance please call 1-800-858-3333 to speak with a representative in our Customer Service Center before returning the product.

Read and understand these instructions **BEFORE** attempting to install this product. Failure to follow installation instructions and not using the provided hardware may damage the intake tube, throttle body and engine.

TO START:

1. Turn off the ignition and disconnect the negative battery cable.

NOTE: Disconnecting the negative battery cable erases pre-programmed electronic memories. Write down all memory settings before disconnecting the negative battery cable. Some radios will require an anti-theft code to be entered after the battery is reconnected. The anti-theft code is typically supplied with your owner's manual. In the event your vehicles anti-theft code cannot be recovered, contact an authorized dealership to obtain your vehicles anti-theft code.



2. Remove the two screws that secure the fresh air intake lid and then lift off and remove the lid from the vehicle.



3. Unhook the coolant hose from the lower fresh air intake duct, release the tab securing the lower duct and then remove the duct from the vehicle.



4. Disconnect the vent line from the air filter housing.



5. Release the clamp that secures the factory intake hose to the air filter housing and then disconnect the hose from the housing.



6. Squeeze the BOV quick release clamp and then disconnect the BOV hose from the factory air filter housing.



7. Pull the factory air filter housing up and remove it from the vehicle.

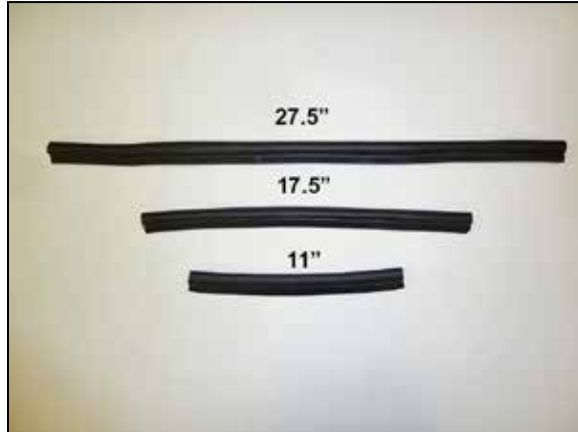
NOTE: AEM recommends that customers do not discard factory air intake.



8. Release the spring clamp that secures the factory intake tube to the turbo inlet and then remove the tube from the vehicle.



9. Install the provided angle coupler onto the turbo inlet and secure with the provided hose clamp.



10. Cut the provided edge trim into three sections as shown.



11. Install the edge trim onto the heat shield as shown.



12. Install the mounting grommets into the heat shield as shown.



13. Install the heat shield onto the factory mounting studs as shown.



14. Install the provided BOV hose and quick connect fitting onto the AEM® tube as shown.



15. Install the AEM® tube into the coupler and heat shield as shown, Align the tube for best fit and secure with the provided hose clamps.



16. Connect the factory BOV hose to the quick disconnect fitting attached to the AEM® intake tube.



17. Connect the factory vent line to the fitting on the AEM® tube.



18. Install the AEM® air filter onto the intake tube and secure with the provided hose clamp.



19. Reinstall the lower fresh air intake duct and then attach the coolant line to the factory retaining clips.



20. Install the upper fresh air duct onto the lower duct and secure with the factory hardware.



Reassemble Vehicle

Position the inlet pipes for the best fitment. Be sure that the pipes or any other components do not contact any part of the vehicle. Tighten the rubber mount, all bolts, and hose clamps. Check for proper hood clearance. Re-adjust pipes if necessary and re-tighten them. Inspect the engine bay for any loose tools and check that all fasteners that were moved or removed are properly tightened. Reconnect negative battery terminal and start engine. Let the vehicle idle for 3 minutes. Perform a final inspection before driving the vehicle.

Service and Maintenance

AEM Induction Systems requires cleaning the intake system's air filter element every 100,000 miles. When used in dusty or off-road environments, our filters will require cleaning more often. We recommend that you visually inspect your filter once every 25,000 miles to determine if the screen is still visible. When the screen is no longer visible some place on the filter element, it is time to clean it. To clean, purchase our Synthetic air filter cleaner, part number 99-0624 and follow the easy instructions. Use window cleaner to clean your powder coated AEM® intake tube.

NOTE: DO NOT USE aluminum polish on powder coated AEM® intake tubes.

NOT LEGAL FOR SALE OR USE ON ANY POLLUTION CONTROLLED MOTOR VEHICLE IN CALIFORNIA OR STATES ADOPTING CALIFORNIA EMISSION PROCEDURES.

See aemintakes.com for CARB status on each part for a specific vehicle

AEM Air Intake System Warranty Policy

AEM® warrants that its intake systems will last for the life of your vehicle. AEM will not honor this warranty due to mechanical damage (i.e. improper installation or fitment), damage from misuse, accidents or flying debris. AEM will not warrant its powder coating if the finish has been cleaned with a hydrocarbon-based solvent. The powder coating should only be cleaned with a mild soap and water solution. Proof of purchase of both the vehicle and AEM intake system is required for redemption of a warranty claim.

This warranty is limited to the repair or replacement of the AEM part. In no event shall this warranty exceed the original purchase price of the AEM part nor shall AEM be responsible for special, incidental or consequential damages or cost incurred due to the failure of this product. Warranty claims to AEM must be transportation prepaid and accompanied with dated proof of purchase. This warranty applies only to the original purchaser of product and is nontransferable. Improper use or installation, use for racing, accident, abuse, unauthorized repairs or alterations voids this warranty. AEM disclaims any liability for consequential damages due to breach of any written or implied warranty on all products manufactured by AEM. Warranty returns will only be accepted by AEM when accompanied by a valid Return Merchandise Authorization (RMA) number. Credit for defective products will be issued pending inspection. Product must be received by AEM within 30 days of the date RMA is issued.

If you have a warranty issue, please call (800) 992-3000 and our customer service department will assist you. A proof of purchase is required for all AEM warranty claims.