



Equipped with AEM® Dryflow™ Filter  
No Oil Required!

## INSTALLATION INSTRUCTIONS

### PART NUMBER: 21-8314

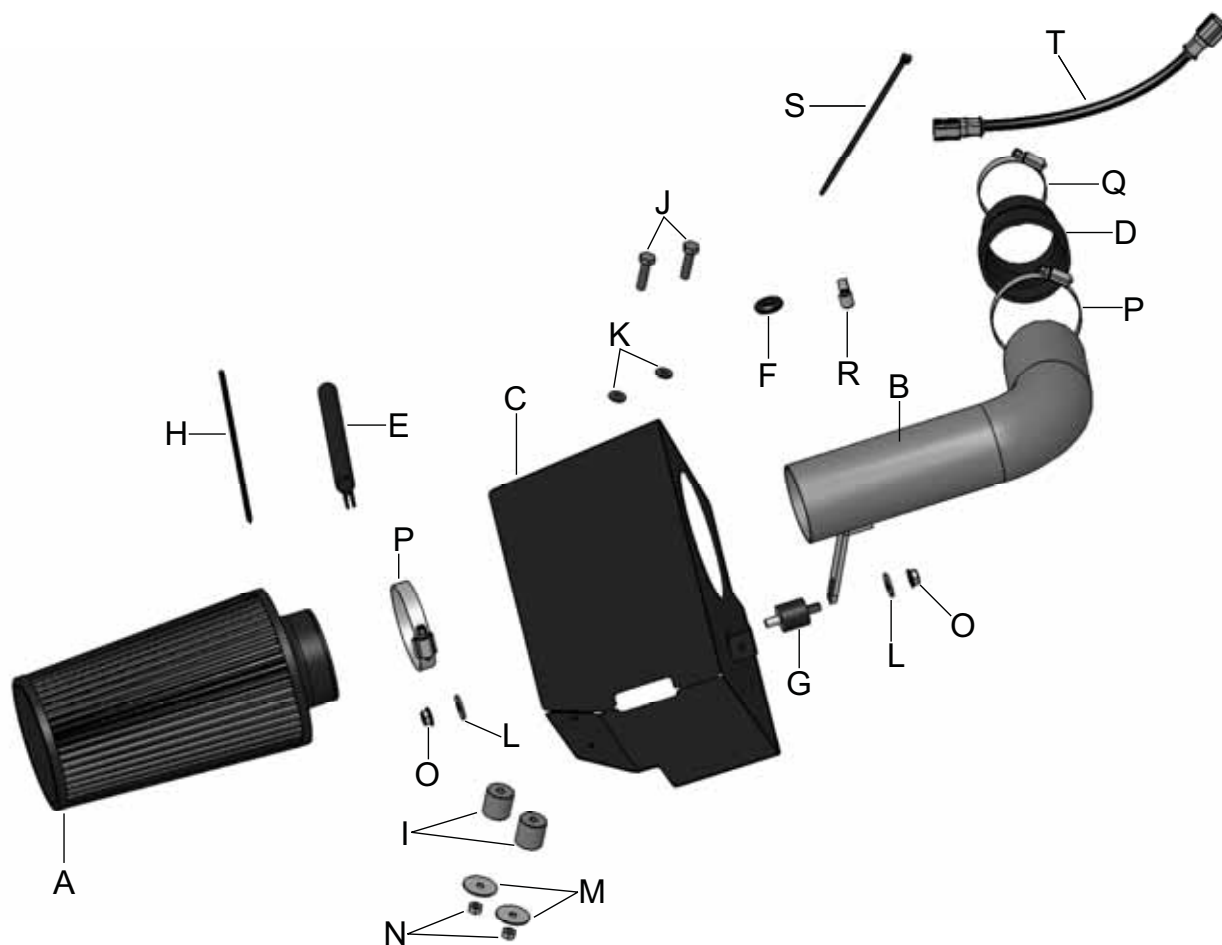
---

|           |      |          |         |                         |
|-----------|------|----------|---------|-------------------------|
| 2011      | JEEP | Wrangler | V6-3.8L | SEE * NOTE              |
| 2007-2010 | JEEP | Wrangler | V6-3.8L | C.A.R.B. E.O. # D-670-6 |

\* **NOTE** Legal in California only for racing vehicles which may never be used upon a highway

## PARTS LIST

|   | Description                         | Qty. | Part Number |
|---|-------------------------------------|------|-------------|
| A | Air Filter Assy. 3.25 X 9" Dry Ele. | 1    | 21-2109DK   |
| B | Inlet Pipe                          | 1    | 2-83141     |
| C | Heat Shield                         | 1    | 20-8314     |
| D | Hose, Adapter 3.25/2.75x3"          | 1    | 5-328       |
| E | Edge Trim, 16"                      | 1    | 8-4016      |
| F | Grommet, 7/16"                      | 1    | 784632      |
| G | Mount, Rubber 1" X 8mm              | 1    | 1228560     |
| H | Edge Trim; 1/16"Gap X 18"L          | 1    | 102504      |
| I | Spacer, 1.00 OD .256 ID X 1"        | 2    | 2-658       |
| J | Bolt, Hex 1/4-20 X 1 3/4            | 2    | 1-2072      |
| K | Washer, 1/4 SAE Flat                | 2    | 1-3028      |
| L | Washer, 8mm Soft Mount              | 2    | 559960      |
| M | Washer, 1/4 X 1-1/4 Fender          | 2    | 1-3027      |
| N | Nut, 1/4-20                         | 2    | 1-2073      |
| O | Nut, M8 Hex Serrated                | 2    | 444.460.08  |
| P | 1/2" Bnd. Hose Clamp, 2.90"-3.75"   | 2    | 9452        |
| Q | 1/2" Bnd. Hose Clamp, 2.31-3.25"    | 1    | 9444        |
| R | Hose Clamp #6 Mini                  | 1    | 08407       |
| S | Zip Tie, 11.25 Long                 | 1    | 1-115       |
| T | Cable, IAT Extension                | 1    | 8-322       |



Read and understand these instructions **BEFORE** attempting to install this product. Failure to follow installation instructions and not using the provided hardware may damage the intake tube, throttle body and engine.

## 1. Preparing Vehicle

- a. Make sure vehicle is parked on level surface.
- b. Set parking brake.
- c. If engine has run in the past two hours, let it cool down.
- d. Disconnect the negative battery terminal.
- e. Do not discard stock components after removal of the factory system.

## 2. Removal of stock system



a. Factory air box configuration for Jeep Wrangler.



b. Loosen the hose clamp securing the inlet tube to the throttle body.



c. Locate the IAT sensor on the inlet tube and release the wire harness connector from the IAT sensor.



d. Remove the stock breather hose from the air box lid.



e. Unclasp the two clips securing the air box lid.



f. Slide the inlet tube off the throttle body and remove the inlet tube and air filter lid as an assembly. Remove the IAT sensor from the inlet tube and set aside in a safe area.



g. Remove the stock air filter and remove the lower air box by pulling straight up.



h. Remove the three stock grommets.



i. Remove the self tapping screw securing the fan shroud. Keep this screw for later use.



j. Engine bay after the stock air box system has been removed.

### 3. Installation of AEM® intake system.

a. When installing the intake system, do not completely tighten the hose clamps or mounting hardware until instructed to do so.



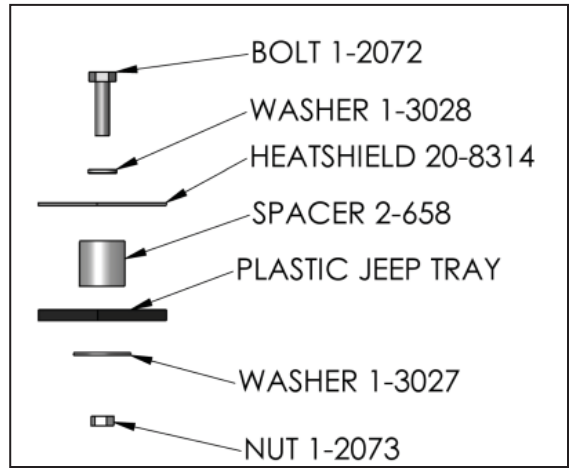
b. Prepare the supplied bolts with the small washers.



c. Place the two supplied spacers into the inserts that the lower stock grommets were removed from during step 2h.



d. Insert the hardware assembled in step 3b through the heat shield holes. Guide the bolts through the spacers that were installed in the previous step.



e. Secure the bolts with the supplied washers and nuts to secure the heat shield. Refer to the diagram for proper assembly.



f. Secure the heat shield's tab to the fan shroud using the stock screw removed in step 2i.



g. Secure the rubber mount to the heat shield with the supplied washer and nut. Install the edge trim onto the heat shield's top edge, also line the heat shield's opening with the supplied rubber edge trim.



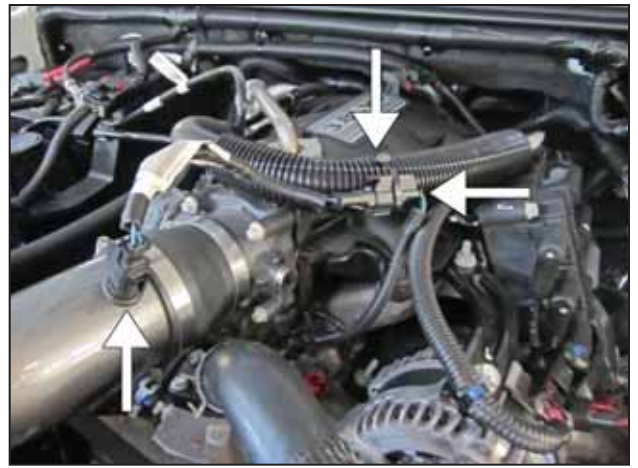
h. Attach the coupler onto the throttle body.



i. Slide the intake pipe into the coupler and loosely secure with the provided hose clamps (#44 hose clamp on the throttle body and a #52 hose clamp on the intake pipe side).



j. Align the intake pipe's bracket to the rubber mount installed on the heat shield and loosely secure the bracket to the rubber mount as shown.



k. Install the grommet into the intake pipe's small inlet hole, then insert the IAT sensor into the grommet. Connect the IAT extension harness to the factory IAT harness and then connect the extension harness connector to the IAT sensor. Secure the wire harness with the supplied zip tie so it is situated in a safe position as shown.



l. Attach the stock breather hose to the intake pipe nipple and secure with the supplied hose clamp.



m. Install the AEM® air filter onto the intake tube and secure in place with the supplied #52 hose clamp.



Factory air box system installed



AEM® intake system installed

#### 4. Reassemble Vehicle

- a. Position the inlet pipes for the best fitment. Be sure that the pipes or any other components do not contact any part of the vehicle. Tighten any rubber mounts, all bolts, and hose clamps.
- b. Check for proper hood clearance. Re-adjust pipes if necessary and re-tighten them.
- c. Inspect the engine bay for any loose tools and check that all fasteners that were moved or removed are properly tightened.
- d. Reconnect negative battery terminal and start engine. Let the vehicle idle for 3 minutes. Perform a final inspection before driving the vehicle.

#### 5. CARB Sticker Placement

- a. The C.A.R.B. exemption sticker, (attached), must be visible under the hood so that an emissions inspector can see it when the vehicle is required to be tested for emissions. California requires testing every two years, other states may vary.

#### 6. Service and Maintenance

- a. AEM Induction Systems requires cleaning the intake system's air filter element every 100,000 miles. When used in dusty or off-road environments, our filters will require cleaning more often. We recommend that you visually inspect your filter once every 25,000 miles to determine if the screen is still visible. When the screen is no longer visible some place on the filter element, it is time to clean it. To clean, purchase our Synthetic air filter cleaner, part number 99-0624 and follow the easy instructions.

- b. Use window cleaner to clean your powder coated AEM® intake tube.

**NOTE: DO NOT USE aluminum polish on powder coated AEM® intake tubes.**

|   |
|---|
| For technical inquiries<br>e-mail us at<br>sales@aemintakes.com<br>or<br>call us at<br>800.992.3000 |
|---|

#### AEM Air Intake System Warranty Policy

AEM® warrants that its intake systems will last for the life of your vehicle. AEM will not honor this warranty due to mechanical damage (i.e. improper installation or fitment), damage from misuse, accidents or flying debris. AEM will not warrant its powder coating if the finish has been cleaned with a hydrocarbon-based solvent. The powder coating should only be cleaned with a mild soap and water solution. Proof of purchase of both the vehicle and AEM intake system is required for redemption of a warranty claim.

This warranty is limited to the repair or replacement of the AEM part. In no event shall this warranty exceed the original purchase price of the AEM part nor shall AEM be responsible for special, incidental or consequential damages or cost incurred due to the failure of this product. Warranty claims to AEM must be transportation prepaid and accompanied with dated proof of purchase. This warranty applies only to the original purchaser of product and is nontransferable. Improper use or installation, use for racing, accident, abuse, unauthorized repairs or alterations voids this warranty. AEM disclaims any liability for consequential damages due to breach of any written or implied warranty on all products manufactured by AEM. Warranty returns will only be accepted by AEM when accompanied by a valid Return Merchandise Authorization (RMA) number. Credit for defective products will be issued pending inspection. Product must be received by AEM within 30 days of the date RMA is issued.

If you have a warranty issue, please call (800) 992-3000 and our customer service department will assist you. A proof of purchase is required for all AEM warranty claims.