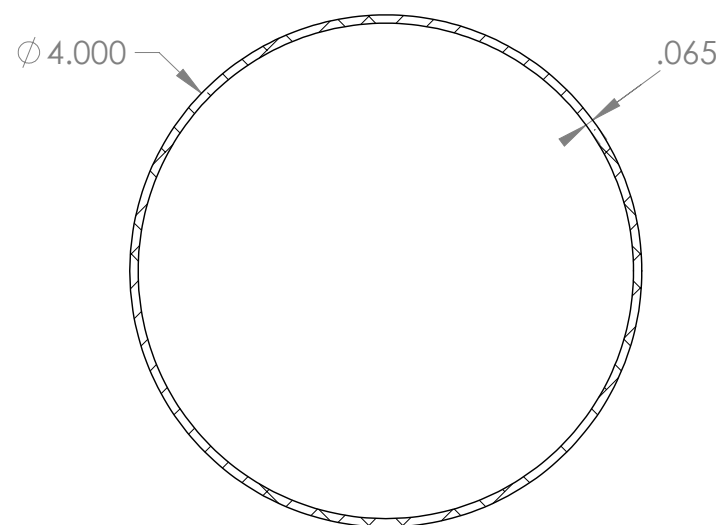
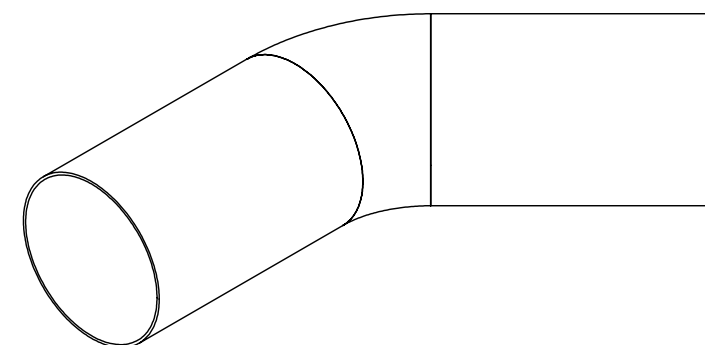
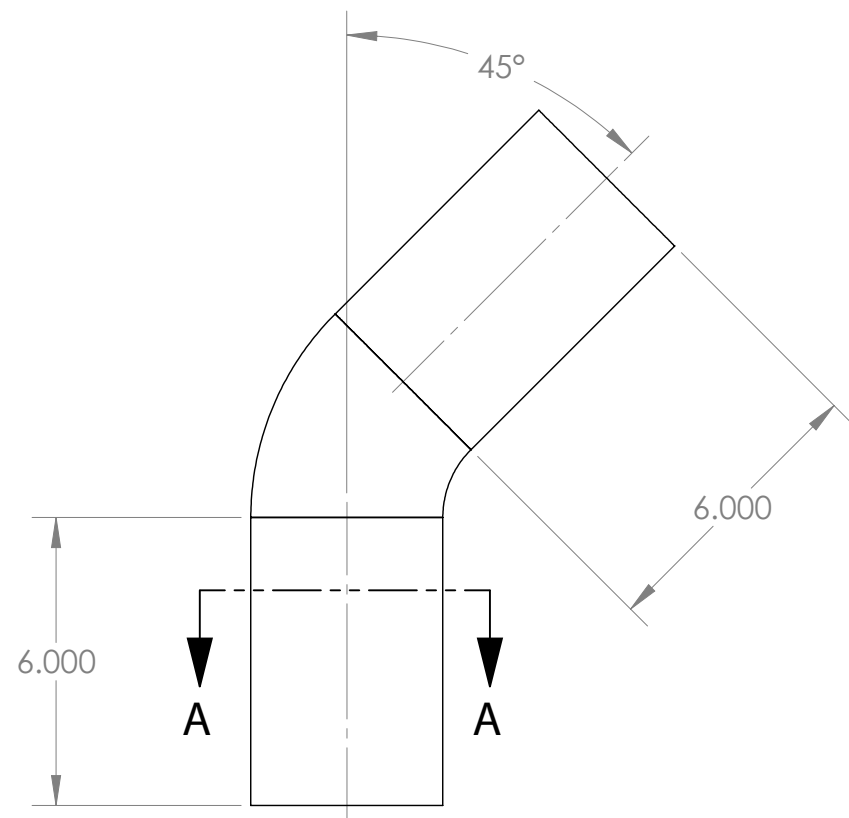


8 7 6 5 4 3 2 1

D
C
B
A



SECTION A-A
SCALE 1 : 1.5



| | | | |
|---|--------------|--------------------------|--------------------------------------|
| TITLE | | | |
| RAW TUBE, 4.00 DIA. AL, 45 DEG BEND, 1D | | | |
| SIZE | DWG. NO. | REV. | |
| B | AEM-2-007-45 | A | |
| SCALE | 1:4 | <input type="radio"/> UK | <input checked="" type="radio"/> USA |
| | | | SHEET 1 OF 1 |

8 7 6 5 4 3 2 1