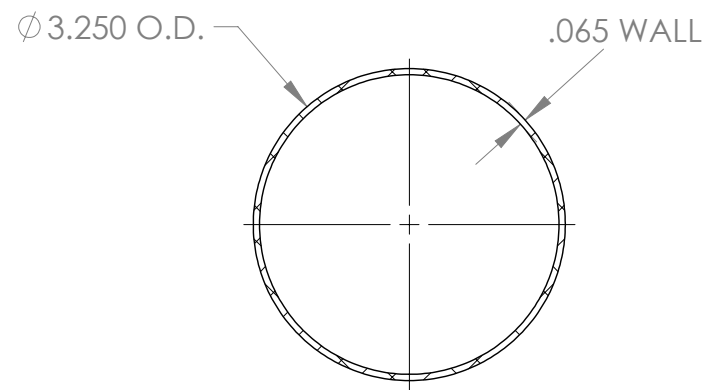
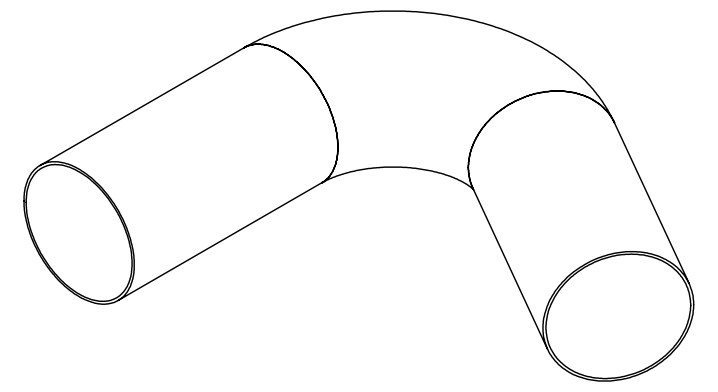
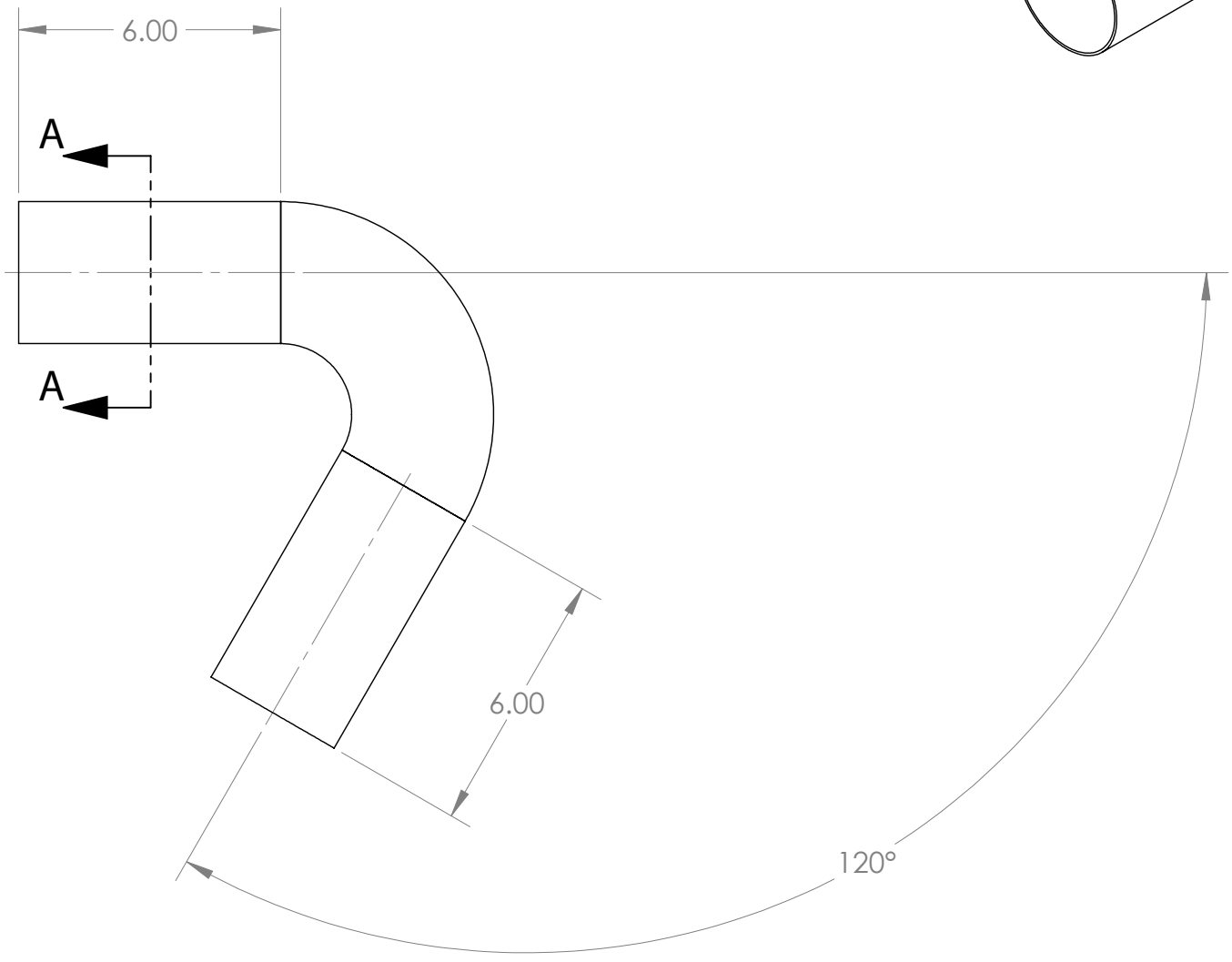


8 7 6 5 4 3 2 1

D
C
B
A



SECTION A-A
SCALE 1 : 2



AEM

TITLE TUBE, 3.25 DIA. AL, 120 DEG BEND, 1D

SIZE B	DWG. NO. AEM-2-004-120	REV. A
SCALE 1:4	<input type="radio"/> UK <input checked="" type="radio"/> USA <input type="radio"/>	SHEET 1 OF 1

8 7 6 5 4 3 2 1