



TYPHOON INTAKE SYSTEMS

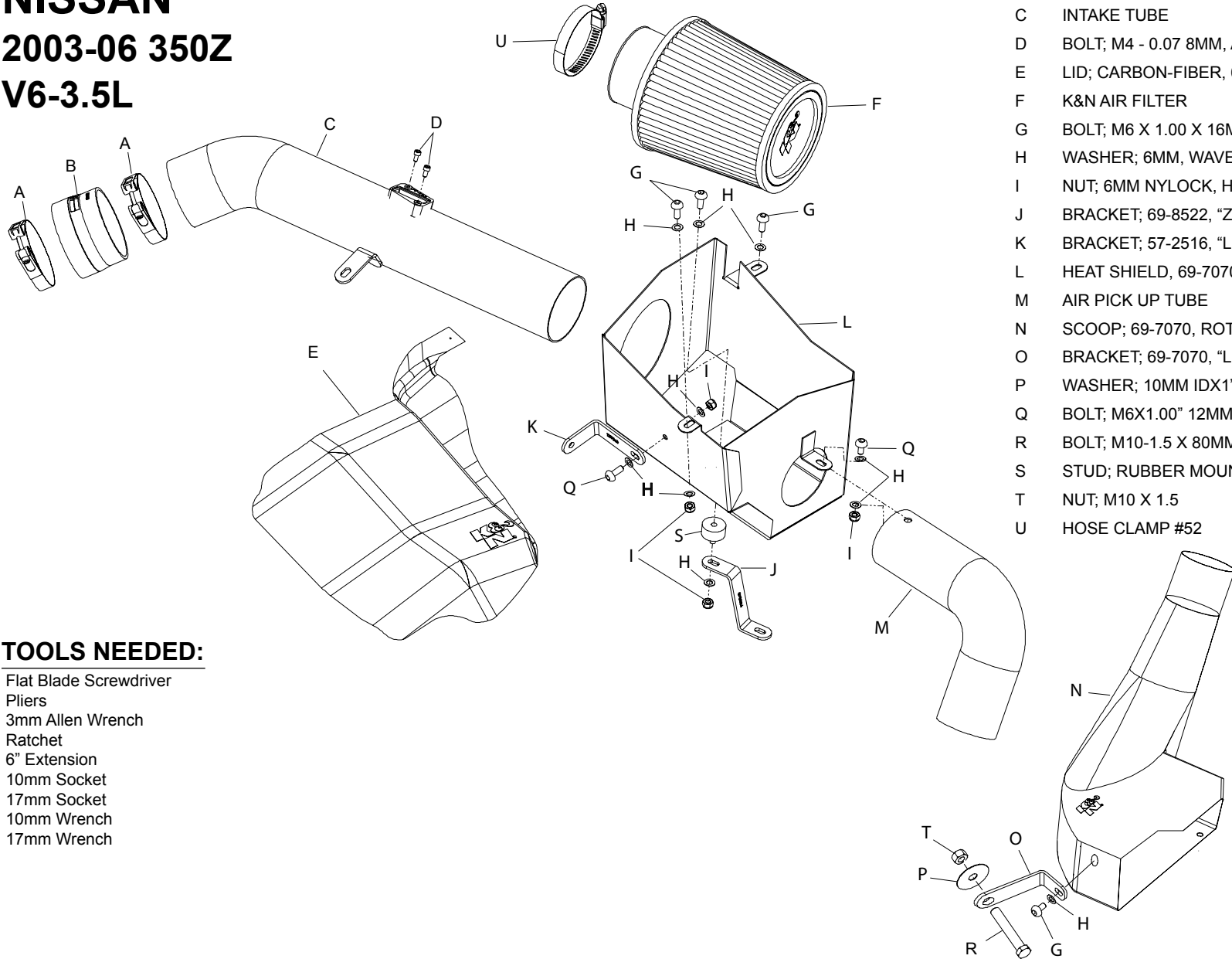
INTAKE SYSTEMS FOR VEHICLES LISTED ARE 50 STATE LEGAL. SEE KNFILTERS.COM FOR CARB STATUS ON EACH PART FOR A SPECIFIC VEHICLE.

INSTALLATION INSTRUCTIONS

69-7070TP
69-7070TB
NISSAN
2003-06 350Z
V6-3.5L

PARTS LIST:

Description	Qty.	Part #
A	2	08601
B	1	084031
C	1	27127
D	2	07733
E	1	06000
F	1	RU-4990
G	4	07730
H	10	08277
I	4	07512
J	1	070034
K	1	070622
L	1	07302
M	1	27128
N	1	22001
O	1	020010
P	1	21712
Q	2	07794
R	1	22250
S	1	070228
T	1	07508
U	1	08610



TOOLS NEEDED:

- Flat Blade Screwdriver
- Pliers
- 3mm Allen Wrench
- Ratchet
- 6" Extension
- 10mm Socket
- 17mm Socket
- 10mm Wrench
- 17mm Wrench

NOTE: FAILURE TO FOLLOW INSTALLATION INSTRUCTIONS AND NOT USING THE PROVIDED HARDWARE MAY DAMAGE THE INTAKE TUBE, THROTTLE BODY AND ENGINE.

TO START:

1. Turn off the ignition and disconnect the negative battery cable.
NOTE: Disconnecting the negative battery cable erases pre-programmed electronic memories. Write down all memory settings before disconnecting the negative battery cable. Some radios will require an anti-theft code to be entered after the battery is reconnected. The anti-theft code is typically supplied with your owner's manual. In the event your vehicles anti-theft code cannot be recovered, contact an authorized dealership to obtain your vehicles anti-theft code.



2. Unclip the wire harness from the air cleaner, then, disconnect the mass air sensor electrical connection as shown.



3. Loosen and remove the bolt that secures the intake tube to the intake manifold as shown.



4. Loosen the hose clamps at the throttle body and at the mass air sensor, then, lift up the intake tube to disconnect the crank case vent hose, then remove the intake tube from the vehicle.



5. Loosen and remove the one bolt that secures the air cleaner to the inner fender hanger as shown.



6. Remove the three plastic rivets from the bumper cover and the one plastic rivet from the air inlet duct as shown.



7. Pull the air inlet duct forward as shown.



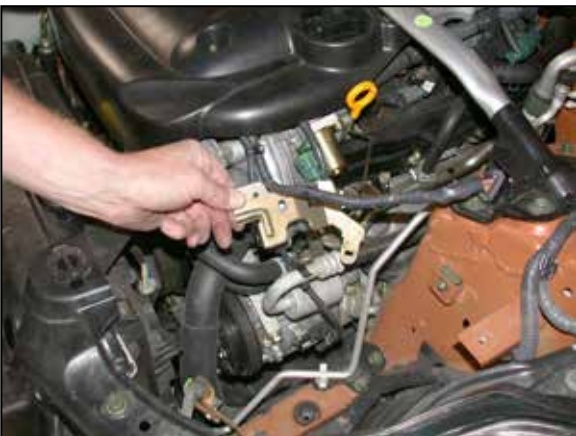
8. Pull the air cleaner assembly upwards then unclip the mass air sensor wire harness to remove the complete assembly.
NOTE: K&N Engineering, Inc., recommends that customers do not discard factory air intake.



9. Loosen and remove the hex bolt that secures the Bumper cover bracket to the core support, then remove the bracket as shown.



10. Pull the bumper cover forward and remove the air inlet duct as shown.



11. Remove the bolt that secures the mass air sensor harness bracket to the engine, then, remove the bracket as shown.



12. Raise the vehicle up and support it with jack stands.



13. Remove the 12 hex bolts and 1 plastic rivet, then, lower the splash guard as shown.



14. Remove the bolt that secures the air conditioner hard line bracket to the inner fender as shown.



15. Secure the provided rubber mounted stud to the short leg of the "Z" bracket using the provided hardware as shown.



16. Using the bolt removed in step 14 secure the "Z" bracket underneath the air conditioner hardline bracket to the threaded hole from step 14. **Do not tighten completely.**



17. Install the K&N® air box into the vehicle and line up the mounting tab with the original hanger, then line up the lower mounting hole with the rubber mounted stud from step 16.

NOTE: Do not secure the air box as this step is just intended to align the "Z" bracket with the air box.



18. Remove the air box, then, tighten the "Z" bracket being careful not to move the bracket.



19. Reinstall the air box and secure it using the provided hardware as shown.



20. Using the bolt removed in step 11, secure the provided "L" bracket to the timing chain cover, then, secure the long leg of the bracket to the airbox using the provided hardware as shown.



21. Adjust the air box for best fit and clearance, then tighten all the hardware on the air box as shown.



22. Slide the air inlet tube into the vehicle as shown.

NOTE: Before installing the intake tube, inspect the inside of the tube for any debris, then clean the inside out with water and a towel. Inspect the tube one more time before proceeding to the next step.



23. Secure the tube to the tab on the air box using the provided hardware but do not tighten at this time.



24. Install the provided bracket onto the air inlet duct using the provided hardware as shown.



25. Remove the plastic grille insert from the vehicle as shown.



26. Install the air inlet duct from underneath the vehicle as shown.



27. Slide the air inlet duct into the air inlet tube as shown, then, line up the bracket on the duct with the grille as shown.



28. Slide the provided hex bolt through the aluminum cross member and slide the provided washer onto the hex bolt as shown.



29. Slide the molded duct bracket onto the bolt from step 28, then, slide another washer and hex nut onto the hex bolt and tighten as shown.



30. Reinstall the plastic grille insert as shown.



31. Reinstall the lower splashguard as shown.



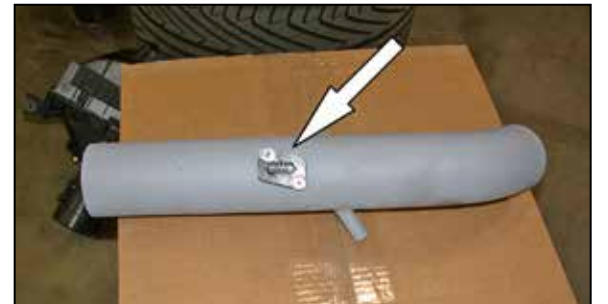
32. Reinstall the bumper cover bracket as shown and secure it with the stock hex bolt from step 9.



33. Reinstall the plastic rivets to the bumper cover as shown.



34. Remove the mass air sensor from the stock air cleaner assembly as shown.



35. Install the mass air sensor into the Typhoon® intake tube and secure with the provided hardware. **NOTE:** Before installing the mass air sensor, inspect the inside of the tube for any debris, then clean the inside out with water and a towel. Inspect the tube one more time before proceeding to the next step.



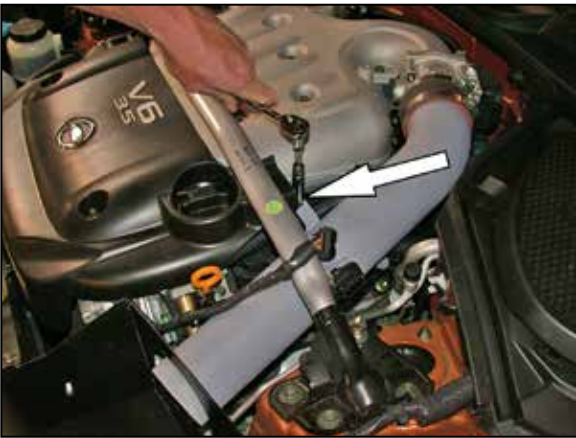
36. Install the silicone hose and hose clamps onto the throttle body as shown.



37. Slide the Typhoon® tube into the engine compartment, then, reconnect the crank case vent hose to the vent on the K&N® intake tube as shown.



38. Slide the tube into the silicone hose on the throttle body as shown.



39. Secure the tube bracket to the intake manifold using the bolt removed in step 3.



40. Tighten the hardware on the air inlet tube as shown.



41. Install the K&N® Air filter as shown.
NOTE: Drycharger® air filter wrap; part # RX-4990DK is available to purchase separately. To learn more about Drycharger® filter wraps or look up color availability please visit <http://www.knfilters.com>®.



42. Install the air box cover and secure it with the provided hardware as shown.



43. Secure the air box cover to the fender support bracket using the plastic rivet from step 6 as shown.



44. Reconnect the mass air sensor electrical connection as shown.



45. Reconnect the vehicle's negative battery cable. Double check to make sure everything is tight and properly positioned before starting the vehicle.

46. The C.A.R.B. exemption sticker, (attached), must be visible under the hood so that an emissions inspector can see it when the vehicle is required to be tested for emissions. California requires testing every two years, other states may vary.

47. It will be necessary for all K&N® high flow intake systems to be checked periodically for realignment, clearance and tightening of all connections. Failure to follow the above instructions or proper maintenance may void warranty.

ROAD TESTING:

1. Start the engine with the transmission in neutral or park, and the parking brake engaged. Listen for air leaks or odd noises. For air leaks secure hoses and connections. For odd noises, find cause and repair before proceeding. This kit will function identically to the factory system except for being louder and much more responsive.

2. Test drive the vehicle. Listen for odd noises or rattles and fix as necessary.

3. If road test is fine, you can now enjoy the added power and performance from your kit.

4. K&N Engineering, Inc., requires cleaning the intake system's air filter element every 100,000 miles. When used in dusty or off-road environments, our filters will require cleaning more often. We recommend that you visually inspect your filter once every 25,000 miles to determine if the screen is still visible. When the screen is no longer visible some place on the filter element, it is time to clean it. To clean and re-oil, purchase our filter Recharger® service kit, part number 99-5050 or 99-5000 and follow the easy instructions.

INTAKE SYSTEMS FOR VEHICLES LISTED ARE 50 STATE LEGAL. SEE KNFILTERS.COM FOR CARB STATUS ON EACH PART FOR A SPECIFIC VEHICLE.