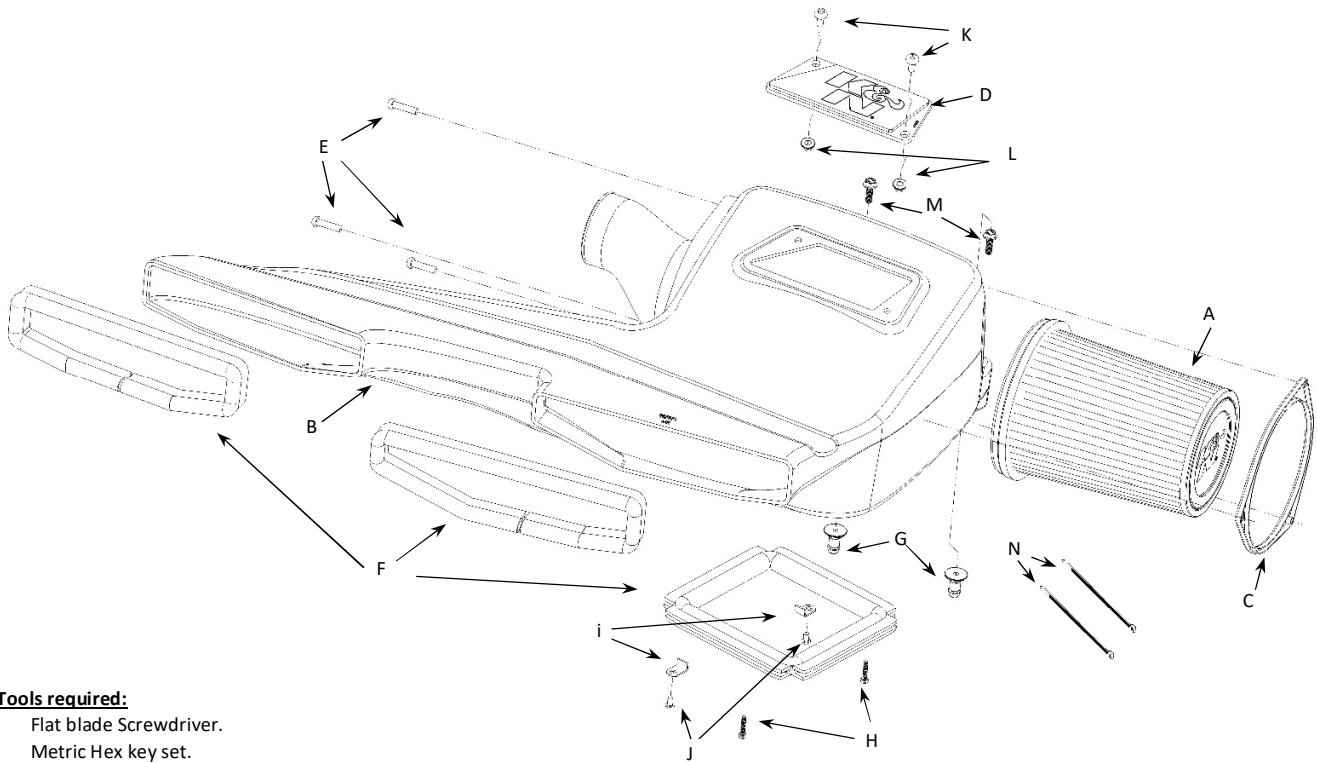


Mercedes Benz A160/A180/A200 1.6i 2012-2018
 Mercedes Benz A220/A250 2.0i 2013-2018
 Mercedes Benz CLA180/CLA200 1.6i 2013-2018
 Mercedes Benz CLA200/CLA250 2.0i 2013-2018



Fitting Tools required:

- Flat blade Screwdriver.
- Metric Hex key set.
- 10mm socket and driver.
- Drill and 5mm drill bit.
- Utility knife.

Parts List:

No	Part Number	Description	QTY.
A	RF-5289	Element; 6-3/8" OD B, 5-3/16 OD T, 7-5/8 H	1
B	087371	AIRBOX; 57s-6200	1
C	7-349	RING; AXIAL FILTER RETAINER, STAMPED STEEL, 3 HOLE - M6 X 1, 6"ID	1
D	08351	PLATE; K&N LOGO, CLEAR, 6.2" X 2.4" X .25"	1
E	07729	BOLT; M6-1.00 X 25MM BUTTONHEAD, SS	3
F	102460	EDGE TRIM; 3/4" BULB, TOP LOC, 75"L	1
G	8-186-1	MOUNT, PLASTIC AIRBOX, NYLON	2
H	1-2103	BOLT, SOCKET M4-.7 X 20MM	2
I	A2066	L' SHAPED RETAINING CLIP	2
J	07740	BOLT; M5 - 0.8 X 12MM B/H, SS	2
K	07730	BOLT; M6 X 1.00 X 16MM, BUTTONHEAD, SS	2
L	444.460.04	NUT, M6 HEX SERRATED	2
M	1-2110	BOLT; HEX/FLANGE M6-1.0 X 12	2
N	21591	CABLE TIE PLASTIC (to secure ECU wiring loom)	2



57s-6200



Installation Instructions

1. Turn off the ignition and release the bonnet catch and leave the vehicle for at least half an hour before beginning kit fitment.
2. Carefully lift and remove the engine cover from the vehicle. (Fig. #1)
3. Carefully unclip the intake snorkel from the slam panel. (Fig. #2)
4. Unclip the intake snorkel from the airbox and completely remove the snorkel from the vehicle. (Fig. #3)
5. Unclip and remove the two electrical plugs from the engine ECU as shown. (Fig. #4)
6. Unclip and carefully remove the ECU from the vehicle airbox. (Fig. #5)
7. Unclip the ECU harness (and vacuum hose if applicable) from the four Points shown on the air box. (Fig. #6)
8. Loosen the hose clamp and remove the intake hose from the airbox. (Fig. #7)
9. Carefully pull the airbox from its mounting grommets and remove the airbox from the vehicle. (Fig. #8)
10. Unclip and slide the battery cover forwards, remove the cover from the vehicle. Drill 2x M5 holes in the positions shown (position depends on cover fitted) and feed through a cable tie supplied. Refit the battery cover. (Fig. #9)
11. Install the airbox mounts on the airbox base using the supplied hardware. (Fig. #10)
12. Cut the supplied Edge trim to fit the front inlets of the airbox. (Fig. #11)
13. Mount the logo plate to the airbox using the hardware supplied. (Fig. #12)
14. Fit the filter through the hole in the air box base, pass the retainer ring over the filter with the smooth Edge facing the air filter base. Secure the filter using the 3 supplied M6 screws Tighten all 3 mounting screws uniformly until the filter is secure. (Fig. #13)
15. Cut the Edge trim to size and install to the underside of the airbox as shown. (Fig. #14)
16. Mount the ECU to the underside of the air box as shown using the M4 screws, retaining clips and M5 screws supplied. (Fig. #15)
17. Loosely place the airbox assembly in the engine bay and carefully reconnect the ECU harness plugs.
18. Holding the electrical harness (and vacuum pipe if applicable) clear; carefully fit the air box assembly into the two original air box mounting grommets, align the airbox intakes with the slam panel vents and pull forward until correctly positioned. (Fig. #16)
19. Fit the intake hose to the air box and secure using the original hose clamp. (Fig. #17)
20. Secure the ECU wiring harness using the pre-installed cable tie on the battery cover lid. (Fig. #18)
21. Using the cable tie supplied secure the harness plug to the bonnet pull cable as show. (Fig. #19)
22. Refit the engine cover to the vehicle. (Fig. #20)
23. Carry out a final height alignment check of the kit fitment, installation is now complete

WARNING: Before starting the engine carry out a final fitment check of the K&N performance kit. It will be necessary for kits to be checked periodically for realignment, clearance and tightening of all connections. Failure to follow the instructions or proper maintenance may void the warranty.

FILTER MAINTENANCE: K&N suggests checking the filter periodically for excessive dirt build-up. When the element becomes covered in dirt (or once a year), service it according to the instructions on the service kit available from your K&N dealer, part number 99-5000EU

For the cleaning instructions please visit our website: www.knfilters.com/cleaning

For technical support contact our European technical team: eindhoven.tech@knfilters.com

For UK technical enquiries contact R&D department: uk.sales@knfilters.com or on **01925-636950**, Mon-Thu from 8:30 am to 5 pm.

www.knfilters.com



Fig.#1



Fig.#2

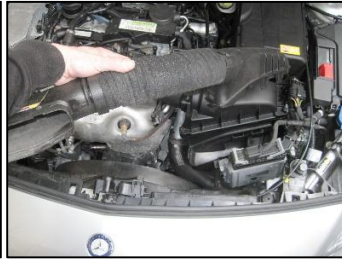


Fig.#3

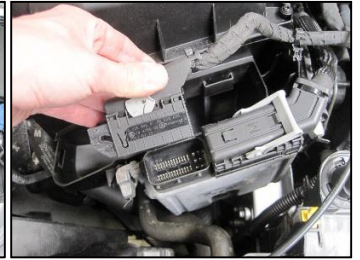


Fig.#4



Fig.#5

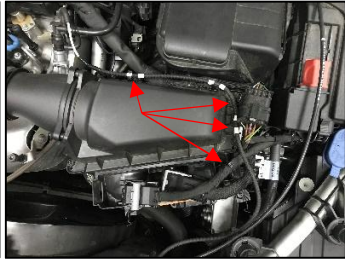


Fig.#6



Fig.#7



Fig.#8



Fig.#9



Fig.#10



Fig.#11



Fig.#12

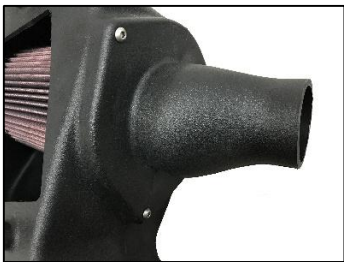


Fig.#13



Fig.#14



Fig.#15



Fig.#16



Fig.#17



Fig.#18

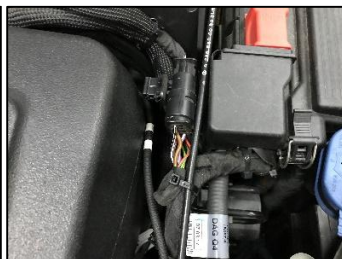


Fig.#19



Fig.#20