

advanced FLOW engineering Track Series Cold Air Intake System

Instruction Manual P/N: 57-10009D / 57-10009R

Make: Jeep Model: Grand Cherokee (WK2) Trackhawk Year: 2019-2020 Engine: V8-6.2L(sc)



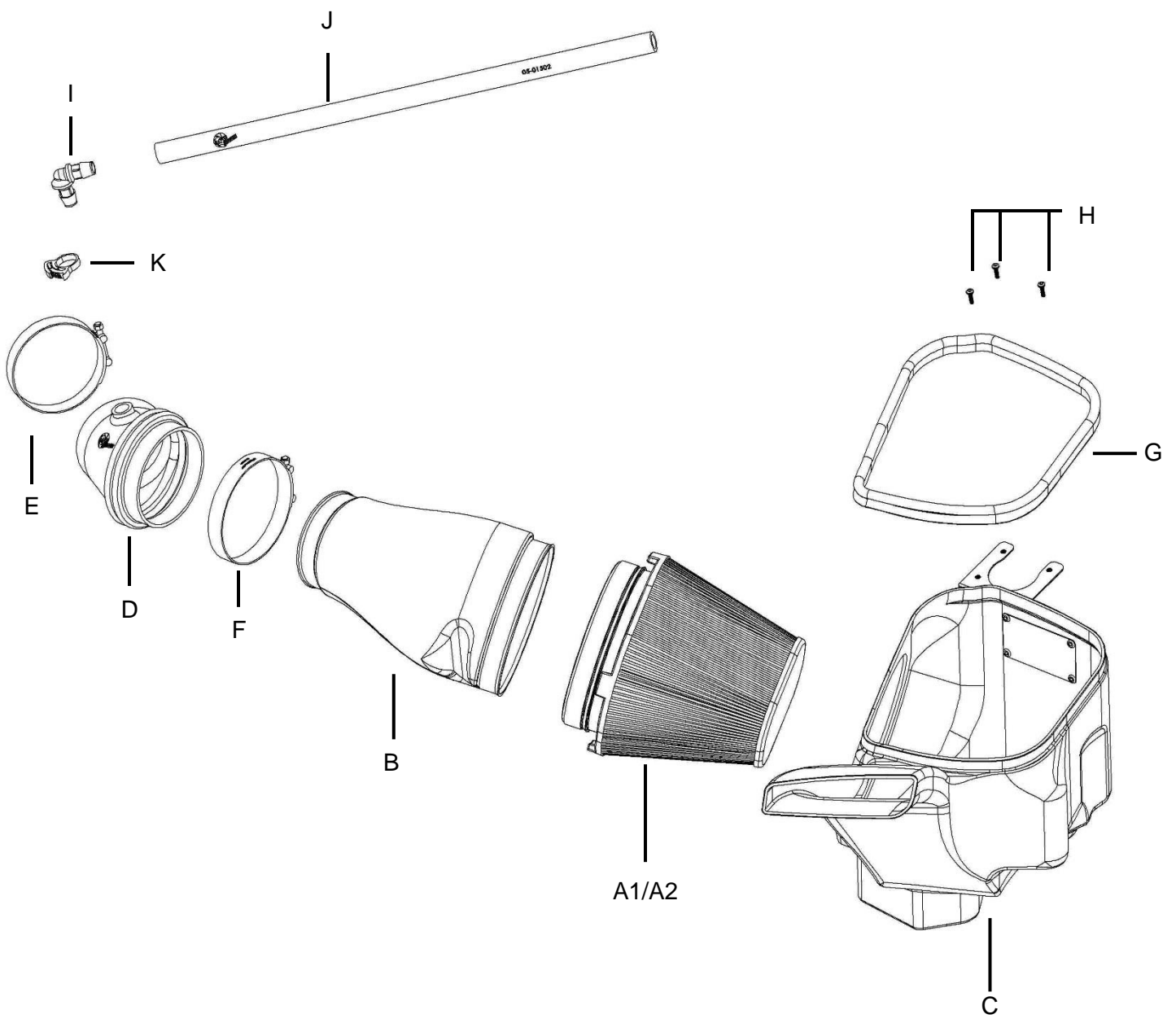
- Please read the entire instruction manual before proceeding.
- Ensure all components listed are present.
- If you are missing any of the components, call customer support at 951-493-7185.
- Ensure you have all necessary tools before proceeding.
- Do not attempt to work on your vehicle when the engine is hot.
- Disconnect the negative battery terminal before proceeding.
- Retain factory parts for future use.

Label	Qty.	Description	Part Number
A1	1	Air Filter (Pro DRY S)	21-90112
A2	1	Air Filter (Pro 5R)	24-90112
B	1	Tube, Carbon Fiber	05-5710002C1
C	1	Housing	05-5710009B2
D	1	Coupling, Silicone Bellow: (3.9"x4.35")ID x 30Deg	05-01495
E	1	Clamp, T-bolt (4-1/16" - 4-3/8") (SS)	03-50262
F	1	Clamp, T-bolt (4-9/16" - 4-7/8") (SS)	03-50319
G	1	Seal, Trim: 3/4" Bulb, 32"Length	05-01507
H	3	Screw, M4	03-50490
I	1	Fitting, Elbow	03-50165
J	1	Hose, 23" Length	05-01502
K	1	Clamp, Easy-Install Snap-Grip	03-50648

Installation will require the following tools:

8mm and 11mm nut driver or socket, socket wrench, flat-head screwdriver, T20 torx bit, box cutter or knife, pliers, and panel popper.

Emissions Disclaimer: This product is not currently CARB exempt and is not available for purchase in California or for use on any vehicle registered with the California Department of Motor Vehicles.



**Figure A****Refer to Figure A for Steps 1-2**

Step 1: Disconnect the temp sensor ①.

Step 2: Using an 8mm nut driver, loosen the hose clamps at the throttle body ②.

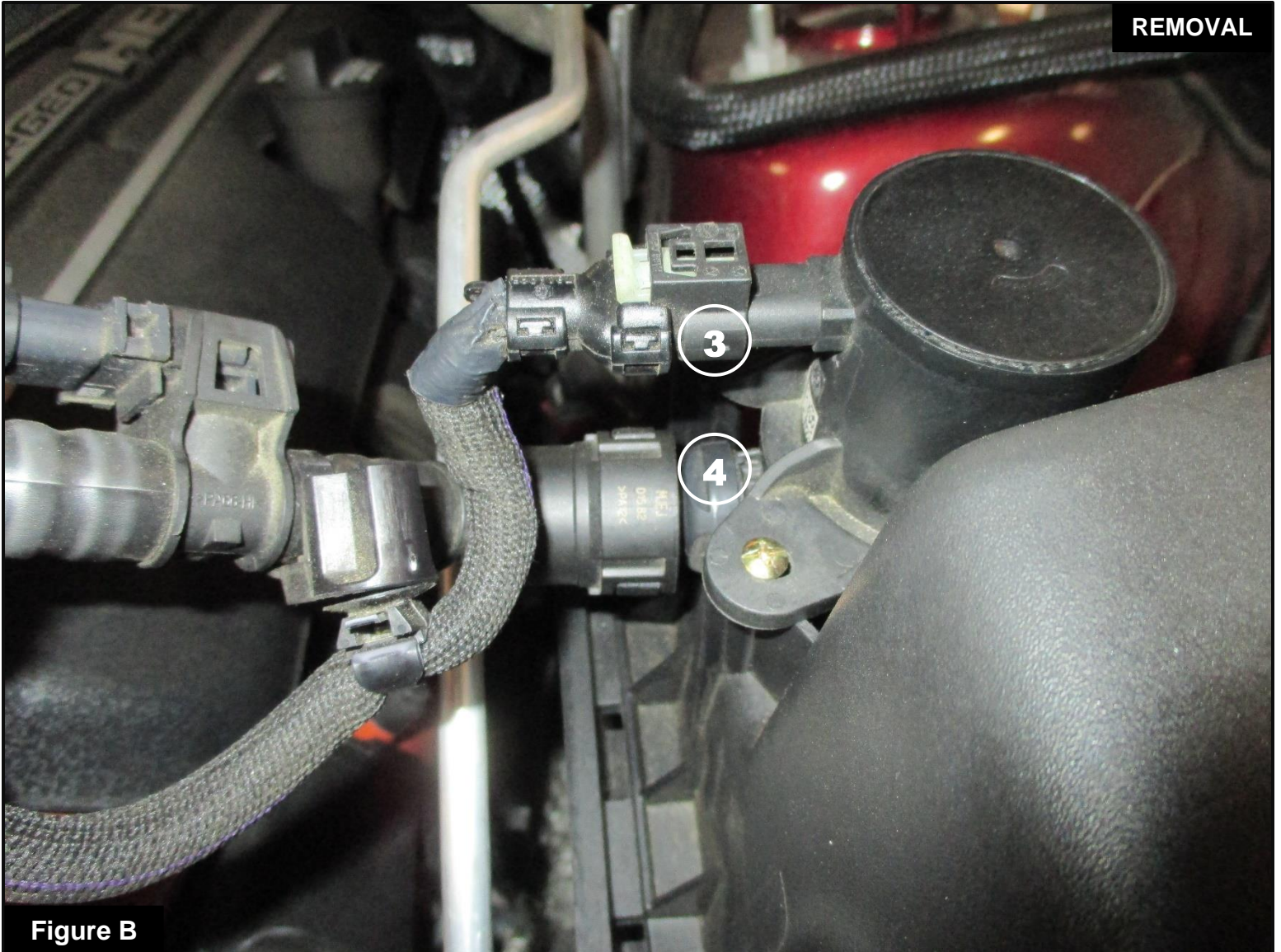


Figure B

Refer to Figure B for Step 3

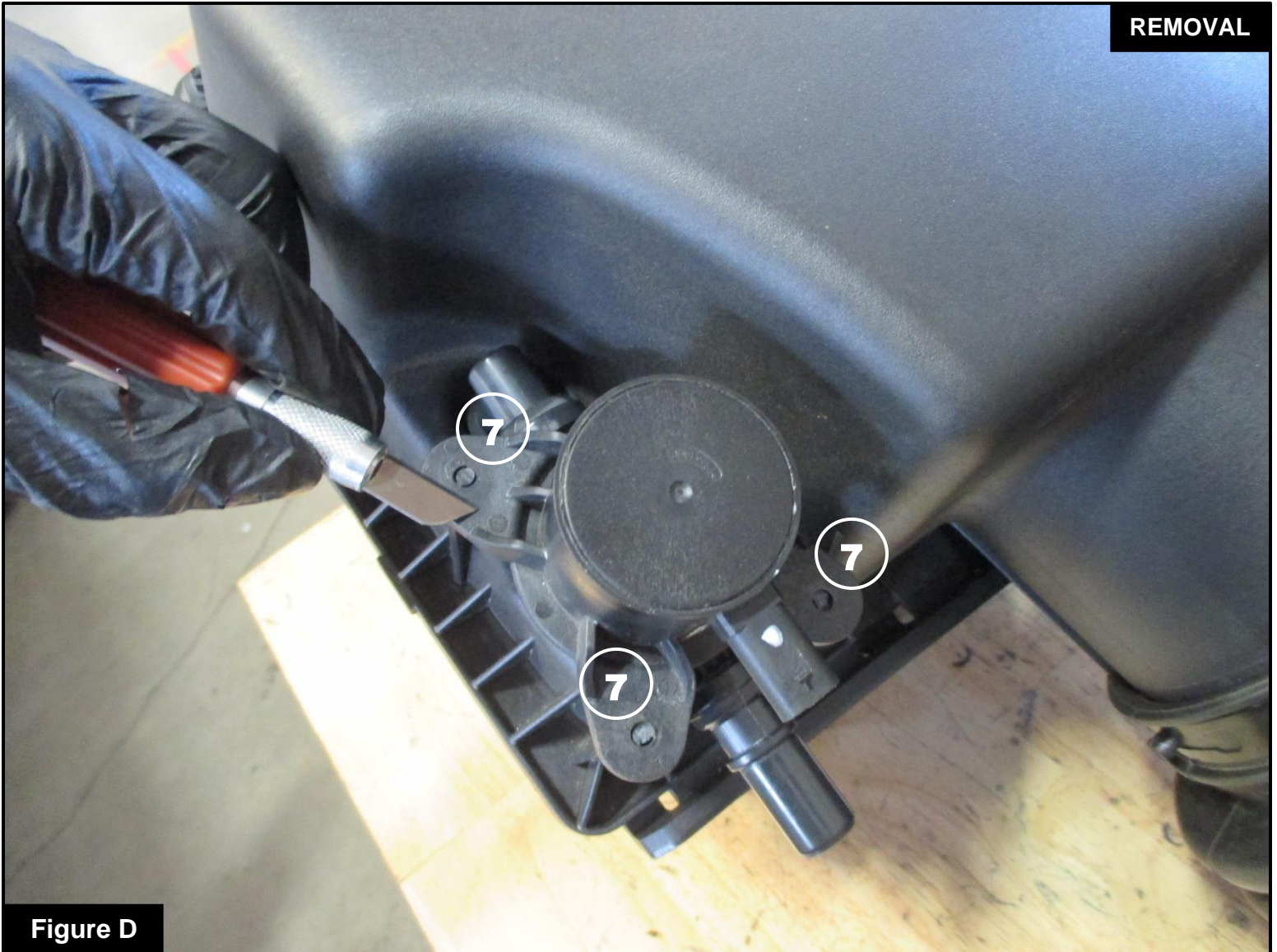
Step 3: Carefully, disconnect the sensor harness (3) and the crankcase breather line (4) from the MUA (multi-air unit actuator).



Refer to Figure C for Steps 4-5

Step 4: Remove the factory block off plate. Use a panel popper to remove the two (2) pins (5) and three (3) clips from the factory trim seal (6).

Step 5: Remove the factory intake. Carefully, pull the factory intake tube away from the throttle body and pull up on the factory airbox.

**Figure D****Refer to Figure D for Step 6**

Step 6: Remove the MUA from the factory airbox. Carefully, using a blade or knife, trim the three (3) plastic pins to detach the MUA from the factory airbox (7).



Figure E

Refer to Figure E for Step 7

Step 7: Transfer the three (3) factory grommets from the factory airbox to the aFe Power housing (8).

**Figure F****Refer to Figure F for Steps 8-10**

Step 8: Transfer the MUA to the bracket on the aFe Power housing and attach using the three (3) supplied M4 screws (9).

Step 9: Install the supplied air filter into the aFe Power housing (10). Place the air filter into the large opening at the top, then slip the air filter mouth into the oval opening on the aFe Power housing, making sure the air filter's lip locks into place.

Step 10: Install the supplied trim seal on the top edge of the aFe Power housing (11).

**FIGURE G****Refer to Figure G for Step 11**

Step 11: Attach the supplied hose to the MUA. Make sure to slip the supplied hose over the entire MUA port, for a full seal (12).

**Figure H****Refer to Figure H for Step 12**

Step 12: Transfer the temp sensor from the factory intake tube to the carbon fiber aFe Power intake tube (13). Carefully pull up on the sensor to remove from the factory intake. Then, install the sensor into the carbon fiber aFe Power tube by pushing it into the fitting and rotating clockwise quarter-turn, keeping it from sliding out.

**Figure I****Refer to Figure I for Steps 13-14**

Step 13: Insert the carbon fiber aFe Power intake tube into the pre-assembled aFe Power housing and air filter (14). Do not tighten the clamp at this time.

Step 14: Insert the supplied elbow fitting to the other end of the supplied hose (15).



Figure J

Refer to Figure J for Step 15

Step 15: Install the supplied coupling and clamps onto the throttle body (16). Do not tighten the clamps.

**Figure K****Refer to Figure K for Step 16**

Step 16: Inspect the sensor located on the driver's side strut tower. If the sensor is not orientated such as the sensor in Figure K, carefully rotate it to match the sensor in this image ⑰.

**Figure L****Refer to Figure L for Steps 17-20**

Step 17: Install the assembled aFe Power intake into the engine bay by gently pushing the housing in to the three (3) mounting pins. Then, slide the carbon fiber aFe Power intake tube into the coupling at the throttle body.

Step 18: Adjust the carbon fiber aFe Power intake tube and coupling, then tighten all three (3) clamps.

Step 19: Connect the temp sensor harness to the temp sensor (18).

Step 20: Insert the open end of the fitting and hose to the coupling and tighten with the supplied clamp (19).

**Figure M****Refer to Figure M for Steps 21**

Step 21: Press the crankcase breather line into the MUA **20**. Then, connect the sensor harness to the MUA **21**.



Figure N

Refer to Figure N for Steps 22-23

Step 22: Re-attach the factory trim seal from **Step 4** (22) and into the aFe Power housing.

Step 23: Make sure all components and connections are secure. Your installation is now complete. Thank you for choosing aFe Power!

NOTE: Check all bolts, clamps, and connectors after 100-200 miles.



Pro DRY S Air Filter



P/N: 21-90112

Pro 5R Air Filter



P/N: 24-90112

Pro-GUARD 7 Air Filter



P/N: 72-90112

Pre-Filter



P/N: 28-10303

Pro DRY S Restore Kit



P/N: 90-59999

Blue Squeeze Restore Kit



P/N: 90-50501

Gold Squeeze Restore Kit



P/N: 90-50500

SPRINT BOOSTER V3



P/N: 77-16204

LONG TUBE HEADERS



P/N: 48-36211-YC

Cat-Back Exhaust System



P/N: 49-38059

Cat-Back Exhaust System



P/N: 49-48053

To purchase any of the items above, view airflow charts, dyno graphs, photos, and video; please go to aFepower.com.



Warranty

General Terms:

- aFe warrants their products to be free from manufacturer's defects due to workmanship and material.
- This warranty applies only to the original purchaser of the product and is non-transferrable.
- Proof of purchase of the aFe product is required for all warranty claims.
- Warranty is valid provided aFe instructions for installation and/or cleaning were properly followed.
- Proper maintenance with regular inspections of product is required to insure warranty coverage.
- Damage due to improper installation, abuse, unauthorized repair or alteration is not warranted.
- Incidental or consequential damages or cost, including installation and removal of part, incurred due to failure of aFe product is not covered under this warranty.
- All warranty is limited to the repair and/or replacement of the aFe part. To request Return Goods Authorization ("RGA"), email RGA@afepower.com or call (951)493-7100. Upon receipt of the RGA, you must return the product to the address provided in the RGA, freight prepaid and accompanied with a dated proof of purchase and the RGA. Upon receipt of the defective product and upon verification of proof of purchase, aFe will either repair or replace the defective product within a reasonable time, not to exceed thirty days.

Product Category	P/N Prefix	Warranty duration
Direct OE Replacement Filters	10, 11, 30, 31, 71, 73	Life of the vehicle
Racing Filters	18	1 year
Universal	20, 21, 23, 24, 72, TF	2 years
Air Intake Systems	50, 51, 53, 54, 55, 56, 57, 58, 75, TR, TA, TL, TM	2 years
Exhaust Systems	49	2 years
Intercoolers & Intercooler Tubes	46-2	2 years
Intake Manifolds	46-1	2 years
Differential Cover	46-7	Life of the vehicle
Exhaust Manifolds	46	2 years
Throttle Body Spacers	46-3	2 years
Turbochargers	46-6	2 years*
Fluid Filters	44	90 days
Pre-Filters	28	2 years
Heavy Duty OE Replacement	70	2 years
PowerSports OE Replacement	81, 87	2 years
PowerSports Intake Systems	85	2 years

No other warranty expressed or implied applies nor is any person or advanced FLOW engineering authorized to assume any other warranty. Some States do not allow the exclusion or limitation of incidental or consequential damages or do not allow limitations on how long an implied warranty lasts, so the above limitations or exclusions may not apply to you. This warranty gives you specific legal rights, and you may also have other rights which vary from State to State.

*See turbocharger warranty for more info



advanced FLOW engineering, inc.

252 Granite Street Corona, CA 92879
TEL: 951.493.7100 • TECH: 951.493.7185
E-Mail: Tech@aFepower.com

P/N: 06-81359