

advanced FLOW engineering Stage-2 Cold Air Intake System

Instruction Manual P/N: 56-70023D / 56-70023R

Make: Honda Model: CR-V Year: 2017-2020 Engine: I4-1.5L Turbo



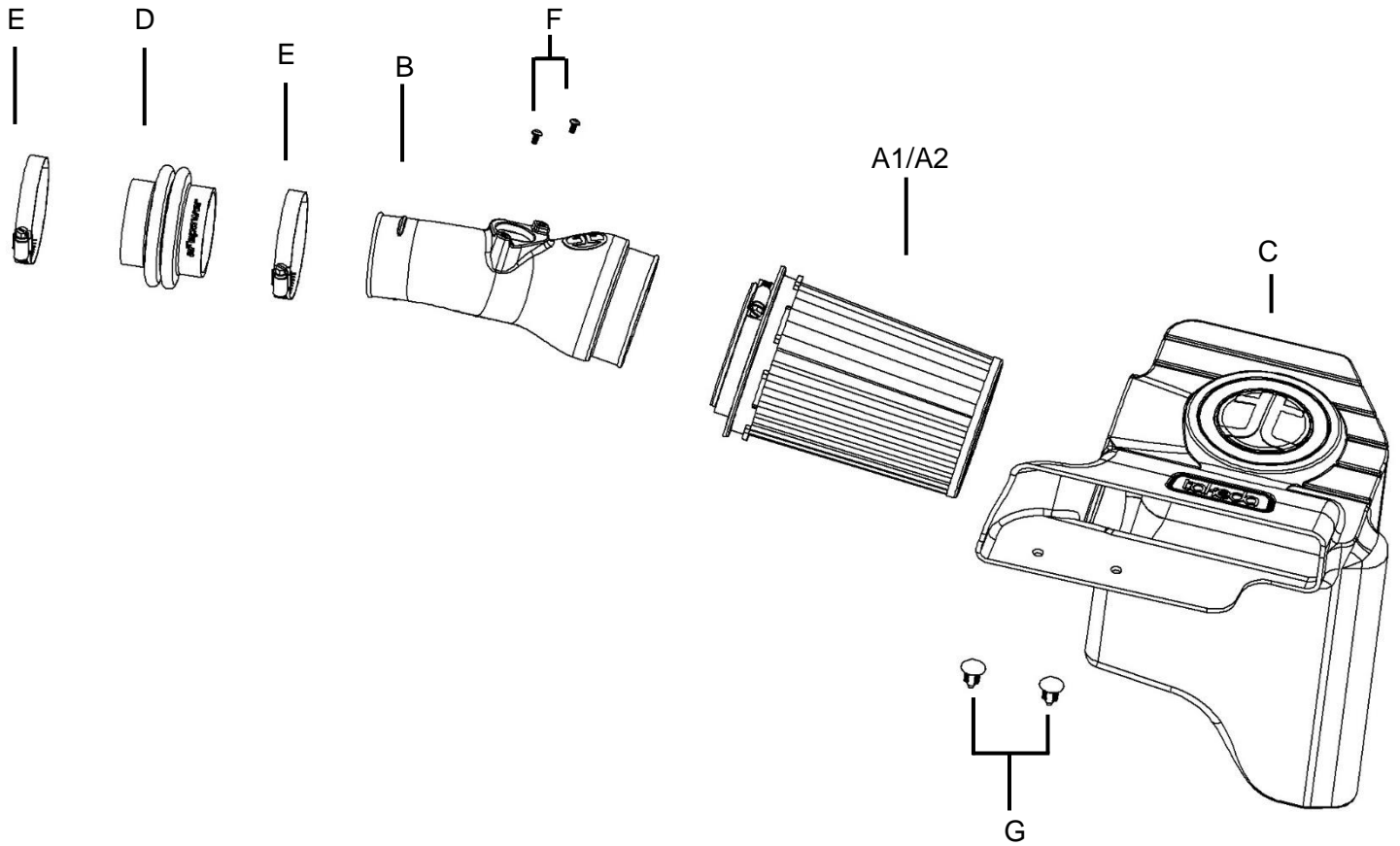
- Please read the entire instruction manual before proceeding.
- Ensure all components listed are present.
- If you are missing any of the components, call customer support at 951-493-7185.
- Ensure you have all necessary tools before proceeding.
- Do not attempt to work on your vehicle when the engine is hot.
- Retain factory parts for future use.

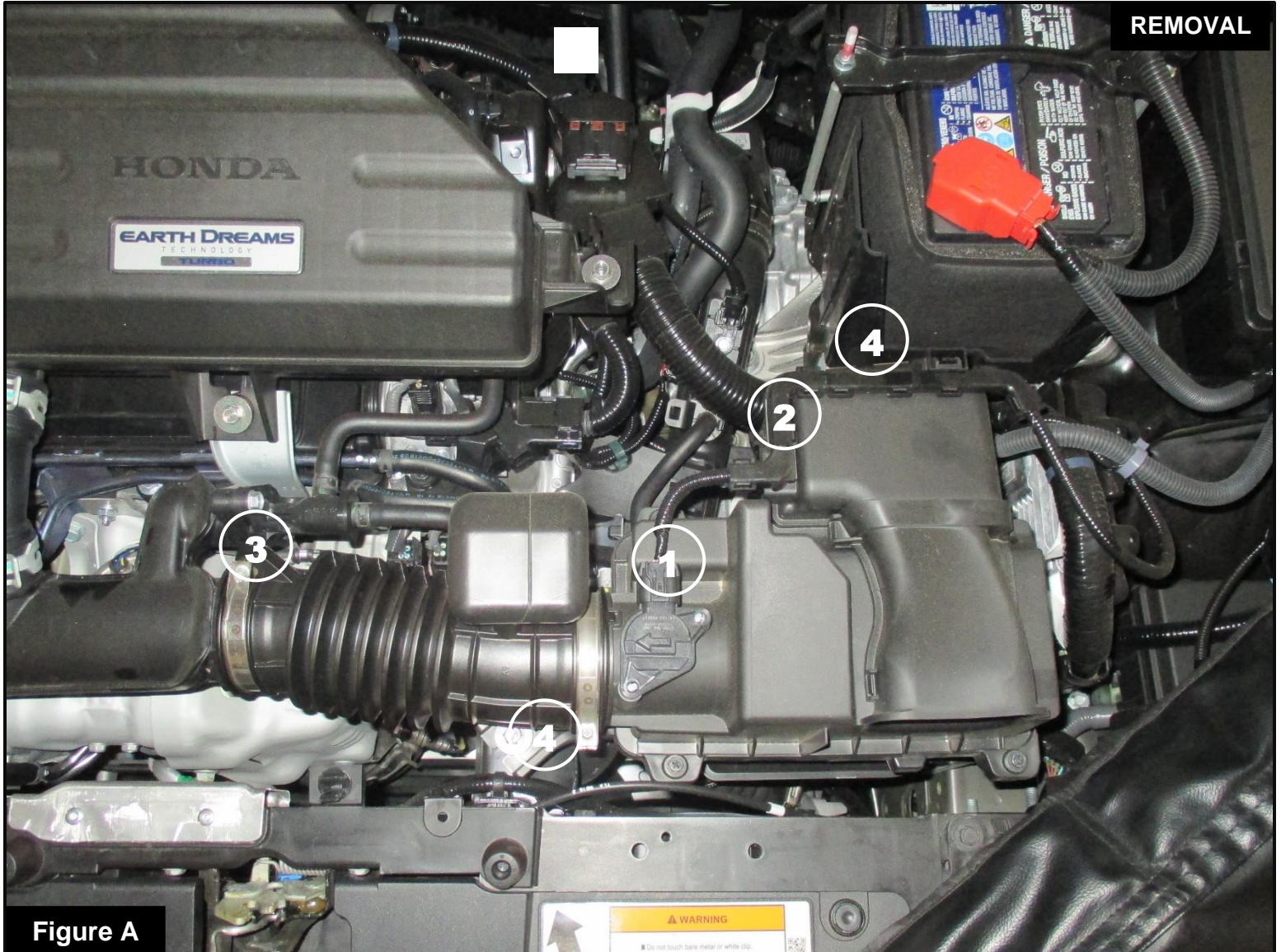
Label	Qty.	Description	Part Number
A1	1	Air Filter (Pro 5R)	24-91103
A2	1	Air Filter (Pro DRY S)	21-91103
B	1	Tube	05-T1026B1
C	1	Housing	05-5610023B2
D	1	Coupling, Silicone Reducer: (2-3/8X2-1/2)"ID x 2-1/2"L	05-01410
E	2	Clamp, 044 (2-5/16"- 3-1/4")	03-50019
F	2	Screw, Torx: M4	05-50491
G	2	Retainerr Clip	05-01407

Installation will require the following tools:

T-20 Torx driver, 8mm nut driver, small flat-head screwdriver, Philips screwdriver, 10mm deep socket, extension and ratchet.

Emissions Disclaimer: This product is not currently CARB exempt and is not available for purchase in California or for use on any vehicle registered with the California Department of Motor Vehicles





Refer to Figure A for Steps 1-4

Step 1: Disconnect the Mass Air Flow (MAF) sensor harness (1), Unclip the harness holder and release from the factory air box (2).

Step 2: Loosen the clamp on the factory intake tube connecting to the turbo inlet tube (3)

Step 3: Remove the two 10mm (4) screws retaining the factory housing.

Step 4: With an upward motion remove the factory intake system out of the vehicle.

**Figure B****Refer to Figure B for Step 5-6**

Step 5: Transfer the factory grommet from the factory intake system to the Takeda housing with the metal inserts (5).

Step 6: Transfer the factory pop grommet (6).

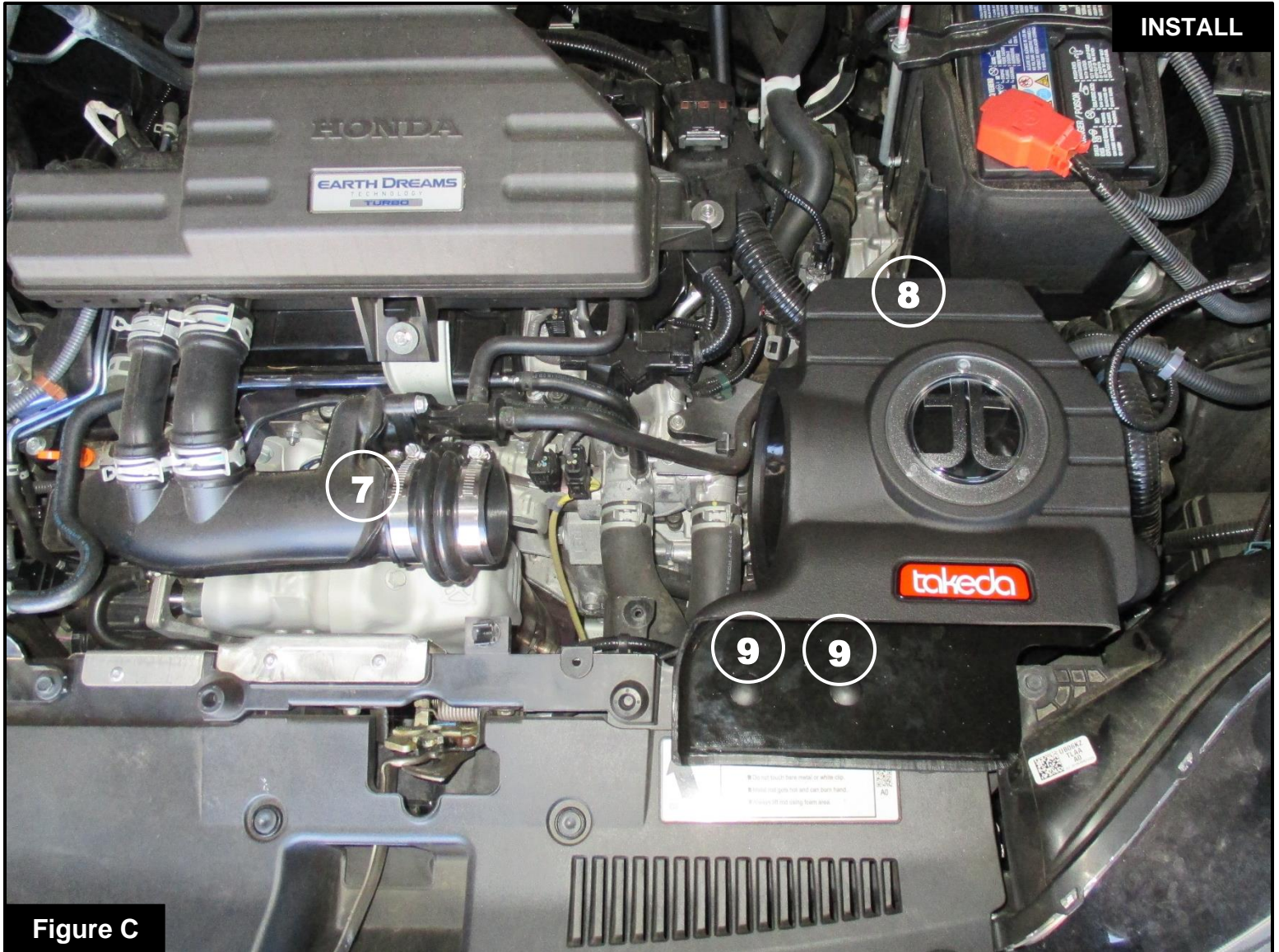


Figure C

Refer to Figure C for Step 7-8

Step 7: Install the coupling onto the turbo inlet with clamps, assure the smaller end goes on the turbo inlet side (7). Do not tighten clamps at this time.

Step 8: Install the Takeda housing into the vehicle by locating it on the push grommet mount, securing it with the factory screw (8) along with the supplied push clips (9).

**Figure D****Refer to Figure D for Step 9**

Step 9: Slide the Takeda Air filter into the Takeda housing, assure the filter tabs are locked on the housing **10** .



Figure E

Refer to Figure E for Step 10

Step 10: Transfer the MAF sensor from the factory housing to the Takeda intake tube. Secure it with the M4 screws provided.



Refer to Figure F for Step 11-13

Step 11: Slide the intake tube into the coupling then into the air filter. Align coupling, tube and air filter then tighten all clamps.

Step 12: Re-connect MAF sensor harness.

Step 13: Make sure all clamps and connections are secured. Your installation is now completed.

NOTE: Check all bolts, clamps and connectors after 100-200 miles.



Pro DRY S Air Filter



P/N: 21-91103

Pro 5R Air Filter



P/N: 24-91103

Pre-Filter



P/N: 28-10083

Blue Squeeze Restore Kit



P/N: 90-50501

Pro DRY S Restore Kit



P/N: 90-59999

To purchase any of the items above, view airflow charts, dyno graphs, photos, and video; please go to aFepower.com.



Warranty

General Terms:

- aFe warrants their products to be free from manufacturer's defects due to workmanship and material.
- This warranty applies only to the original purchaser of the product and is non-transferrable.
- Proof of purchase of the aFe product is required for all warranty claims.
- Warranty is valid provided aFe instructions for installation and/or cleaning were properly followed.
- Proper maintenance with regular inspections of product is required to insure warranty coverage.
- Damage due to improper installation, abuse, unauthorized repair or alteration is not warranted.
- Incidental or consequential damages or cost, including installation and removal of part, incurred due to failure of aFe product is not covered under this warranty.
- All warranty is limited to the repair and/or replacement of the aFe part. To request Return Goods Authorization ("RGA"), email RGA@afepower.com or call (951)493-7100. Upon receipt of the RGA, you must return the product to the address provided in the RGA, freight prepaid and accompanied with a dated proof of purchase and the RGA. Upon receipt of the defective product and upon verification of proof of purchase, aFe will either repair or replace the defective product within a reasonable time, not to exceed thirty days.

Product Category	P/N Prefix	Warranty duration
Direct OE Replacement Filters	10, 11, 30, 31, 71, 73	Life of the vehicle
Racing Filters	18	1 year
Universal	20, 21, 23, 24, 72, TF	2 years
Air Intake Systems	50, 51, 53, 54, 55, 56, 57, 58, 75, TR, TA, TL, TM	2 years
Exhaust Systems	49	2 years
Intercoolers & Intercooler Tubes	46-2	2 years
Intake Manifolds	46-1	2 years
Differential Cover	46-7	Life of the vehicle
Exhaust Manifolds	46	2 years
Throttle Body Spacers	46-3	2 years
Turbochargers	46-6	2 years*
Fluid Filters	44	90 days
Pre-Filters	28	2 years
Heavy Duty OE Replacement	70	2 years
PowerSports OE Replacement	81, 87	2 years
PowerSports Intake Systems	85	2 years

No other warranty expressed or implied applies nor is any person or advanced FLOW engineering authorized to assume any other warranty. Some States do not allow the exclusion or limitation of incidental or consequential damages or do not allow limitations on how long an implied warranty lasts, so the above limitations or exclusions may not apply to you. This warranty gives you specific legal rights, and you may also have other rights which vary from State to State.

*See turbocharger warranty for more info



advanced FLOW engineering, inc.

252 Granite Street Corona, CA 92879
TEL: 951.493.7100 • TECH: 951.493.7185
E-Mail: Tech@aFepower.com

P/N: 06-81352