

advanced FLOW engineering Stage-2 Cold Air Intake System

Instruction Manual P/N: 56-10027D / 56-10027R

Make: Honda

Model: Civic Si

Year: 2017-2020

Engine: I4-1.5L Turbo



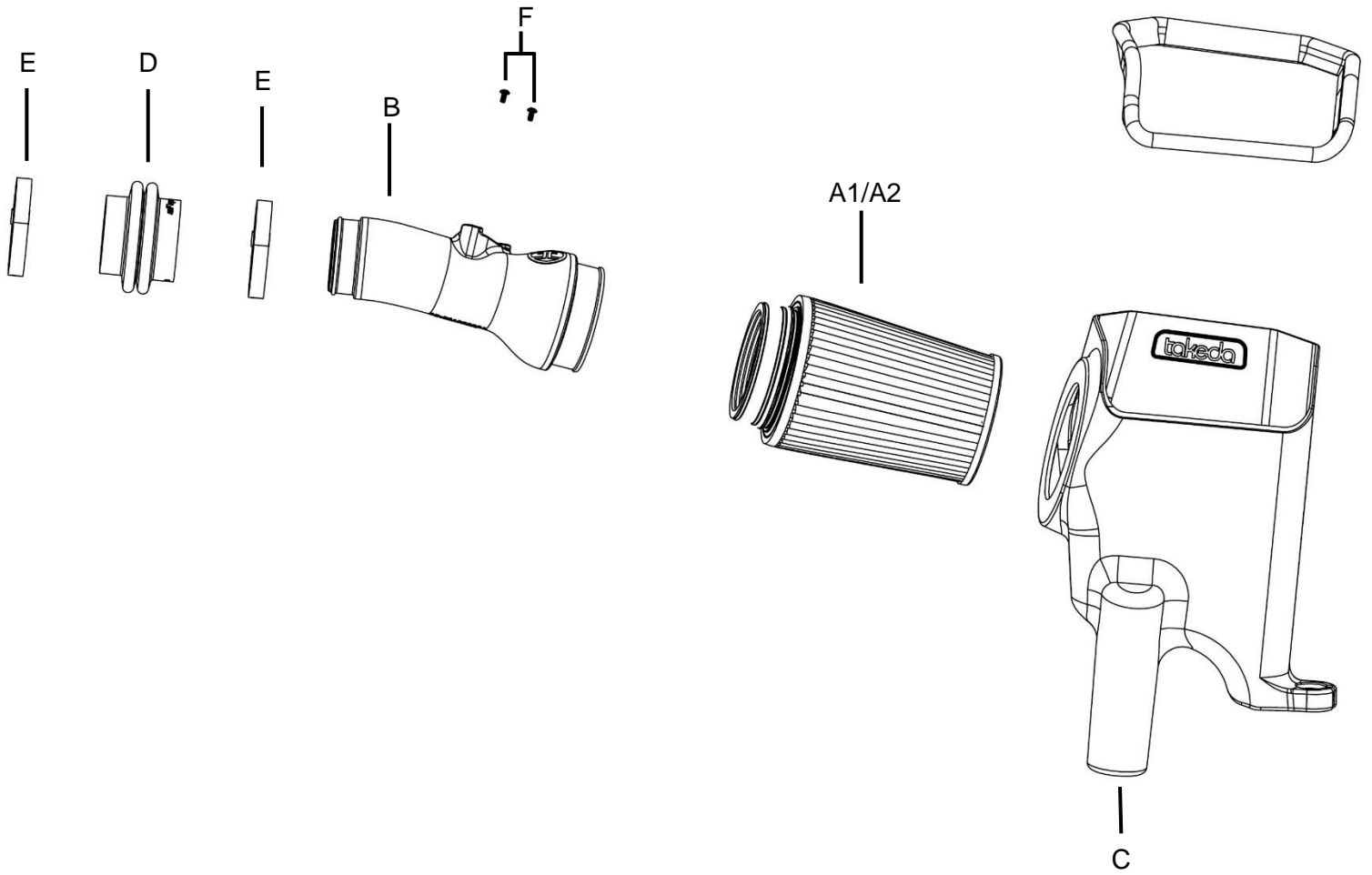
- Please read the entire instruction manual before proceeding.
- Ensure all components listed are present.
- If you are missing any of the components, call customer support at 951-493-7185.
- Ensure you have all necessary tools before proceeding.
- Do not attempt to work on your vehicle when the engine is hot.
- Retain factory parts for future use.

| Label | Qty. | Description | Part Number |
|-------|------|--|--------------|
| A1 | 1 | Air Filter (Pro 5R) | TF-9028R |
| A2 | 1 | Air Filter (Pro DRY S) | TF-9028D |
| B | 1 | Tube | 05-5610027B1 |
| C | 1 | Housing | 05-5610008B2 |
| D | 1 | Coupling, Silicone Reducer: (2-3/8-2-1/2)"ID x 2-1/2"L | 05-01410 |
| E | 2 | Clamp, 044 (2-5/16"- 3-1/4") | 03-50019 |
| F | 2 | Screw, Torx: M4 | 05-50491 |
| G | 1 | Seal, trim : 3/4" Bulb (29"L) | 05-01507 |

Installation will require the following tools:

T-20 Torx driver, 8mm nut driver, small flat-head screwdriver, Philips screwdriver, 10mm deep socket, extension and ratchet.

Emissions Disclaimer: This product is not currently CARB exempt and is not available for purchase in California or for use on any vehicle registered with the California Department of Motor Vehicles



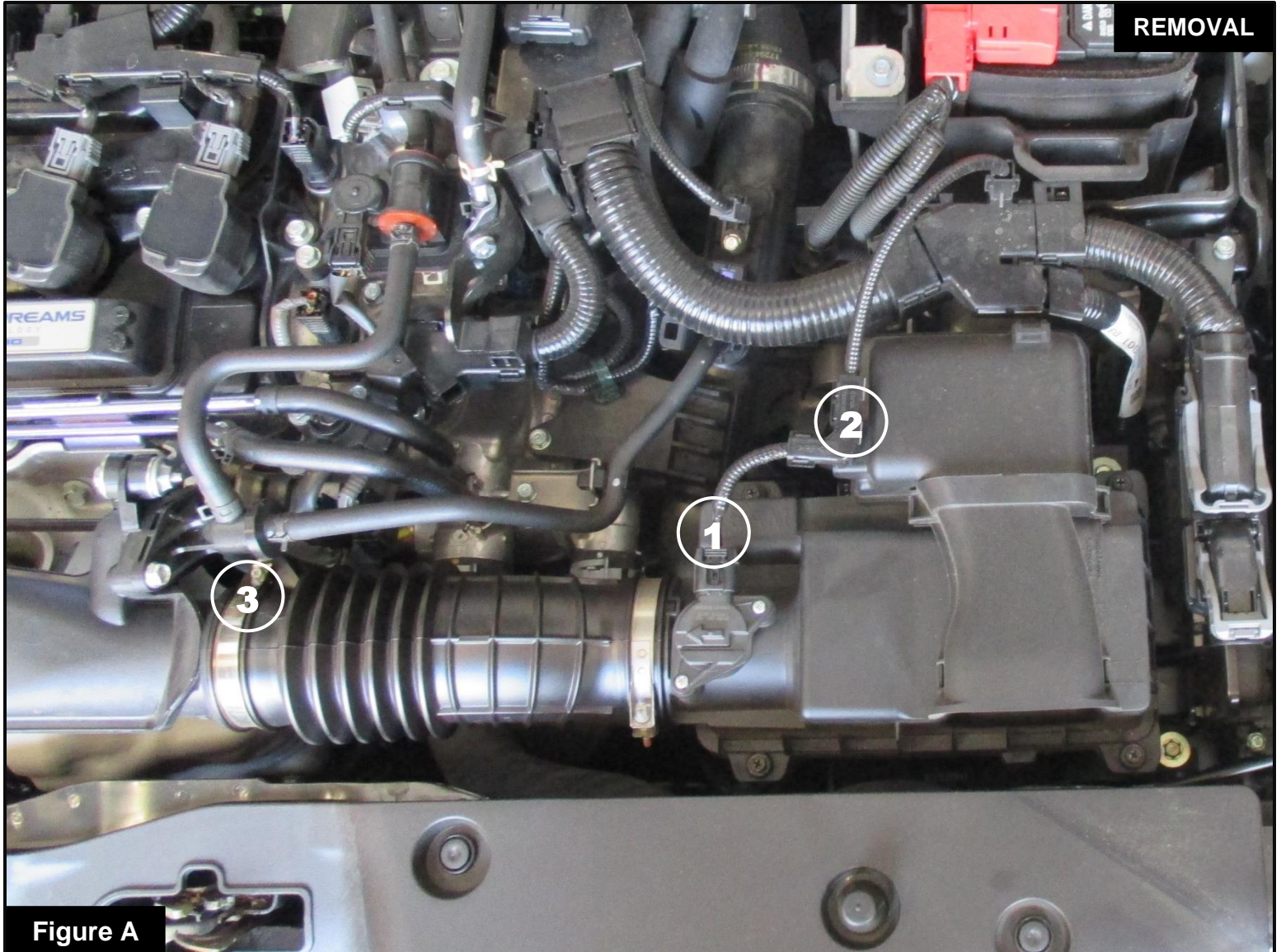


Figure A

Refer to Figure A for Steps 1-4

Step 1: Disconnect the Mass Air Flow (MAF) sensor harness (1), With a small flat head screwdriver open the harness holder (2) and remove the harness from the harness holder.

Step 2: Loosen the clamp on the factory intake tube connecting to the turbo inlet tube (3).

Step 3: Remove the two 10mm screws retaining the factory housing.

Step 4: With an upward motion remove the factory intake system out of the vehicle.



Figure B

Refer to Figure B for Step 5-6

Step 5: Transfer both factory grommets from the factory intake system to the Takeda housing with the metal inserts (4). Also transfer the factory pop grommet (5).

Step 6: Install the seal trim on the top edge of the Takeda housings.

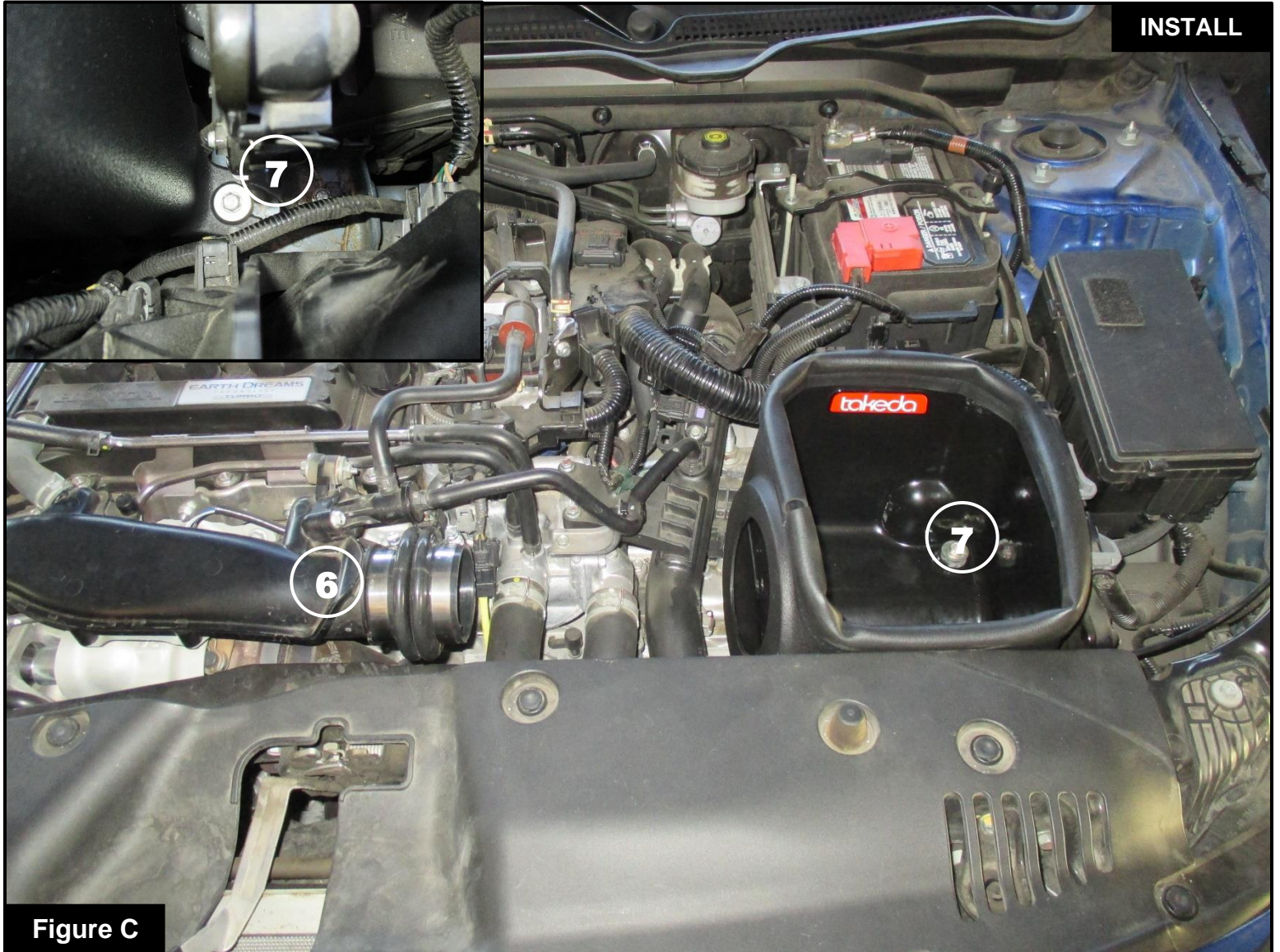


Figure C

Refer to Figure C for Step 7-8

Step 7: Install the coupling onto the turbo inlet with clamps, assure the smaller end goes on the turbo inlet side ⑥. Do not tighten clamps at this time.

Step 8: Install the Takeda housing into the vehicle, secure it with the factory screws onto the factory location ⑦.

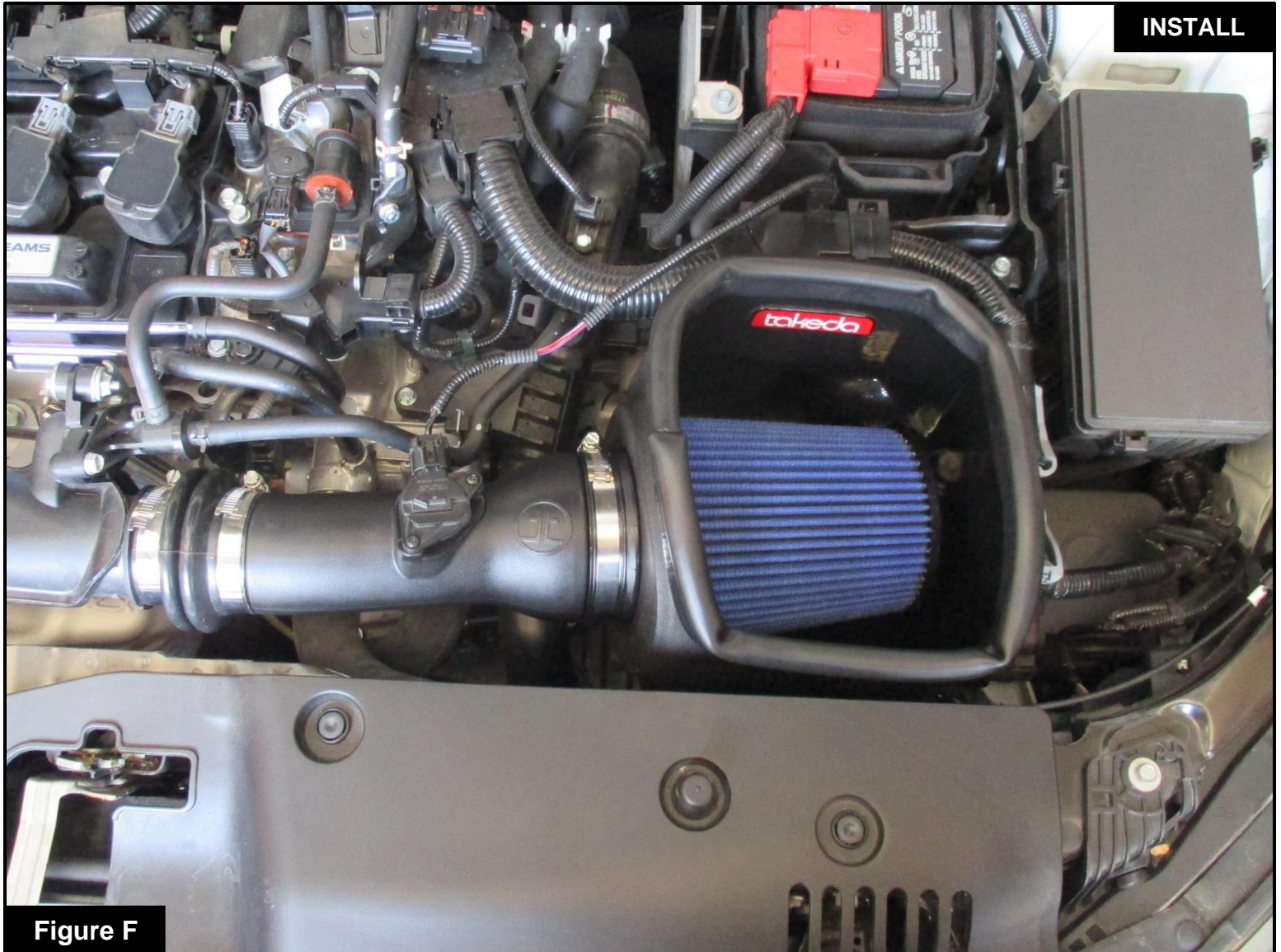


Refer to Figure D for Steps 9

Step 9: Install the air filter inside of the Takeda housing. Push the filter through the hole from the inside of the housing until it locks in place. Install clamp on the filter end but do not tighten at this time (8).

**Figure E****Refer to Figure E for Steps 10**

Step 10: Transfer the MAF sensor from the factory housing to the Takeda intake tube. Secure it with the M4 screws provided.



Refer to Figure F for Step 11-13

Step 11: Slide the intake tube into the air filter then into the coupling. Align coupling, tube and air filter then tighten all clamps.

Step 12: Re-connect MAF sensor harness.

Step 13: Make sure all clamps and connections are secured. Your installation is now completed.

NOTE: Check all bolts, clamps and connectors after 100-200 miles.



Pro DRY S Air Filter



P/N: TF-9028D

Pro 5R Air Filter



P/N: TF-9028R

Pre-Filter



P/N: 28-10083

Scorcher GT Module



P/N: 77-46601

Pro DRY S Restore Kit



P/N: 90-59999

Blue Squeeze Restore Kit



P/N: 90-50501

Turbo Downpipe



P/N: 48-36604-HC (Street)
48-36604-HN (Race)

Exhaust Cat-Back



P/N: 49-36615-B (Blk. Tips)
49-36615-P (Pol. Tips)

Rear/Mid Downpipe



P/N: 48-36605

SPRINT BOOSTER V3



P/N: 77-16604

Intercooler Kit



P/N: 46-20342-R

Intercooler Tubes



P/N: 46-20344-R

To purchase any of the items above, view airflow charts, dyno graphs, photos, and video; please go to aFepower.com.



Warranty

General Terms:

- aFe warrants their products to be free from manufacturer's defects due to workmanship and material.
- This warranty applies only to the original purchaser of the product and is non-transferrable.
- Proof of purchase of the aFe product is required for all warranty claims.
- Warranty is valid provided aFe instructions for installation and/or cleaning were properly followed.
- Proper maintenance with regular inspections of product is required to insure warranty coverage.
- Damage due to improper installation, abuse, unauthorized repair or alteration is not warranted.
- Incidental or consequential damages or cost, including installation and removal of part, incurred due to failure of aFe product is not covered under this warranty.
- All warranty is limited to the repair and/or replacement of the aFe part. To request Return Goods Authorization ("RGA"), email RGA@afepower.com or call (951)493-7100. Upon receipt of the RGA, you must return the product to the address provided in the RGA, freight prepaid and accompanied with a dated proof of purchase and the RGA. Upon receipt of the defective product and upon verification of proof of purchase, aFe will either repair or replace the defective product within a reasonable time, not to exceed thirty days.

| Product Category | P/N Prefix | Warranty duration |
|----------------------------------|--|---------------------|
| Direct OE Replacement Filters | 10, 11, 30, 31, 71, 73 | Life of the vehicle |
| Racing Filters | 18 | 1 year |
| Universal | 20, 21, 23, 24, 72, TF | 2 years |
| Air Intake Systems | 50, 51, 53, 54, 55, 56, 57, 58, 75, TR, TA, TL, TM | 2 years |
| Exhaust Systems | 49 | 2 years |
| Intercoolers & Intercooler Tubes | 46-2 | 2 years |
| Intake Manifolds | 46-1 | 2 years |
| Differential Cover | 46-7 | Life of the vehicle |
| Exhaust Manifolds | 46 | 2 years |
| Throttle Body Spacers | 46-3 | 2 years |
| Turbochargers | 46-6 | 2 years* |
| Fluid Filters | 44 | 90 days |
| Pre-Filters | 28 | 2 years |
| Heavy Duty OE Replacement | 70 | 2 years |
| PowerSports OE Replacement | 81, 87 | 2 years |
| PowerSports Intake Systems | 85 | 2 years |

No other warranty expressed or implied applies nor is any person or advanced FLOW engineering authorized to assume any other warranty. Some States do not allow the exclusion or limitation of incidental or consequential damages or do not allow limitations on how long an implied warranty lasts, so the above limitations or exclusions may not apply to you. This warranty gives you specific legal rights, and you may also have other rights which vary from State to State.

*See turbocharger warranty for more info



advanced FLOW engineering, inc.

252 Granite Street Corona, CA 92879
TEL: 951.493.7100 • TECH: 951.493.7185
E-Mail: Tech@aFepower.com

P/N: 06-81360