

advanced FLOW engineering

Super Stock Induction System®

Instruction Manual P/N: 55-10001R

Make: Dodge	Model: Challenger	Year: 2015-2020	Engine: V6-3.6L
Make: Dodge	Model: Challenger	Year: 2015-2020	Engine: V8-5.7L
Make: Dodge	Model: Challenger	Year: 2015-2020	Engine: V8-6.4L
Make: Dodge	Model: Challenger SRT Hellcat	Year: 2015-2020	Engine: V8-6.2L(sc)



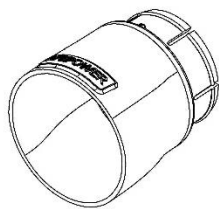
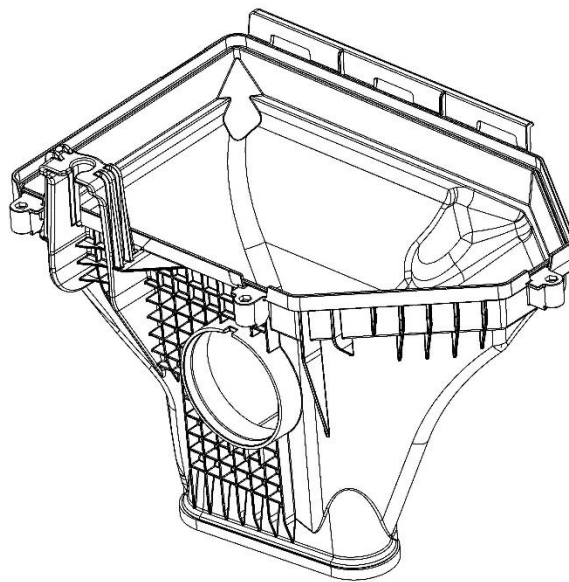
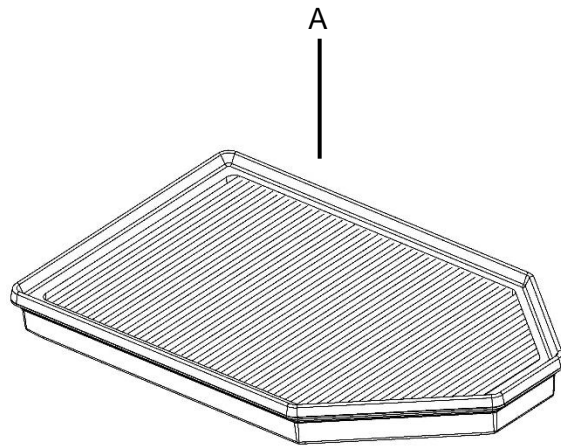
- Please read the entire instruction manual before proceeding.
- Ensure all components listed are present.
- If you are missing any of the components, call customer support at 951-493-7100.
- Ensure you have all necessary tools before proceeding.
- Do not attempt to work on your vehicle when the engine is hot.
- Retain factory parts for future use.

Label	Qty.	Description	Part Number
A	1	Air Filter (Pro 5R)	30-10220
B	1	SRT Hellcat lower portion air box	05-5510001B2
C	1	Air inlet scoop	05-72203B3

Installation will require the following tools:

8mm socket, extension, ratchet, pliers and flat-head screwdriver

Emissions Disclaimer: This product does not require a CARB EO#.



C

B



Refer to Figure A for Steps 1-3

- Step 1: Untighten the clamp securing the tube to the factory air box.
- Step 2: Remove the three screws securing the upper portion of the air box to the lower portion.
- Step 3: Disconnect the tube and remove the upper portion of the factory airbox. Disconnect any hose connected to the air box.



Refer to Figure B for Step 4-6

Step 4: Remove the factory air filter.

Step 5: Remove the 8mm screw securing the factory air box to the vehicle. The screw will be re-used for the installation of the SRT Hellcat lower portion of the air box.

Step 6: Remove the factory air box from the vehicle.

**Figure C****Refer to Figure C for Steps 7**

Step 7: Slide your hand through the back side of the headlight and push the cap off on the center of the headlight to open the headlight air inlet.

**Figure D****Refer to Figure D for Step 10**

Step 8: Transfer the grommet and sleeve from the bottom of the factory housing to the provided SRT Hellcat housing.

Step 9: Connect the aFe POWER air inlet scoop to the SRT hellcat air box.

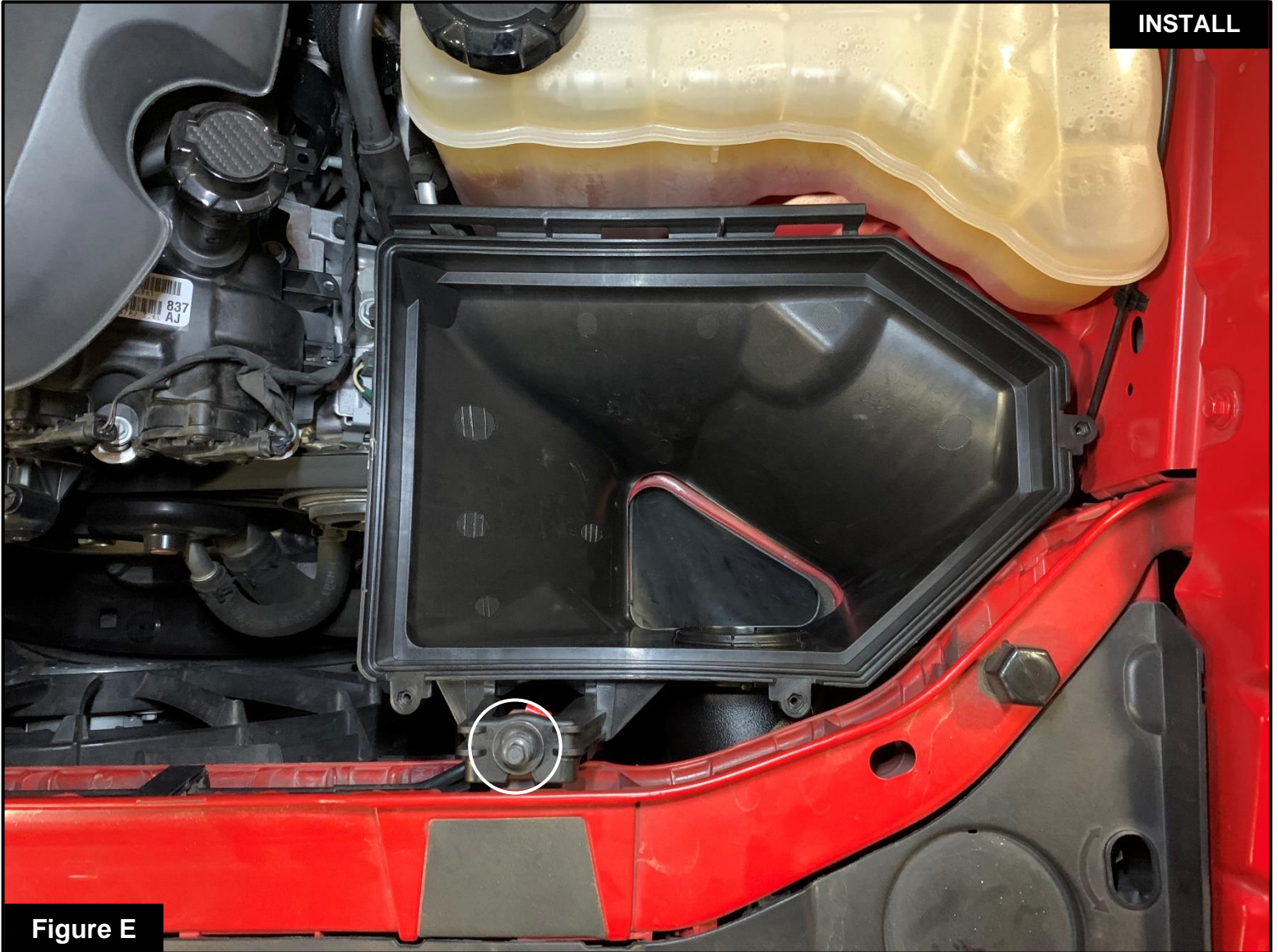


Figure E

Refer to Figure E for Steps 11-12

Step 10: Install the SRT Hellcat and scoop assembly into the vehicle.

Step 11: Secure the housing with the screw removed at step 5.

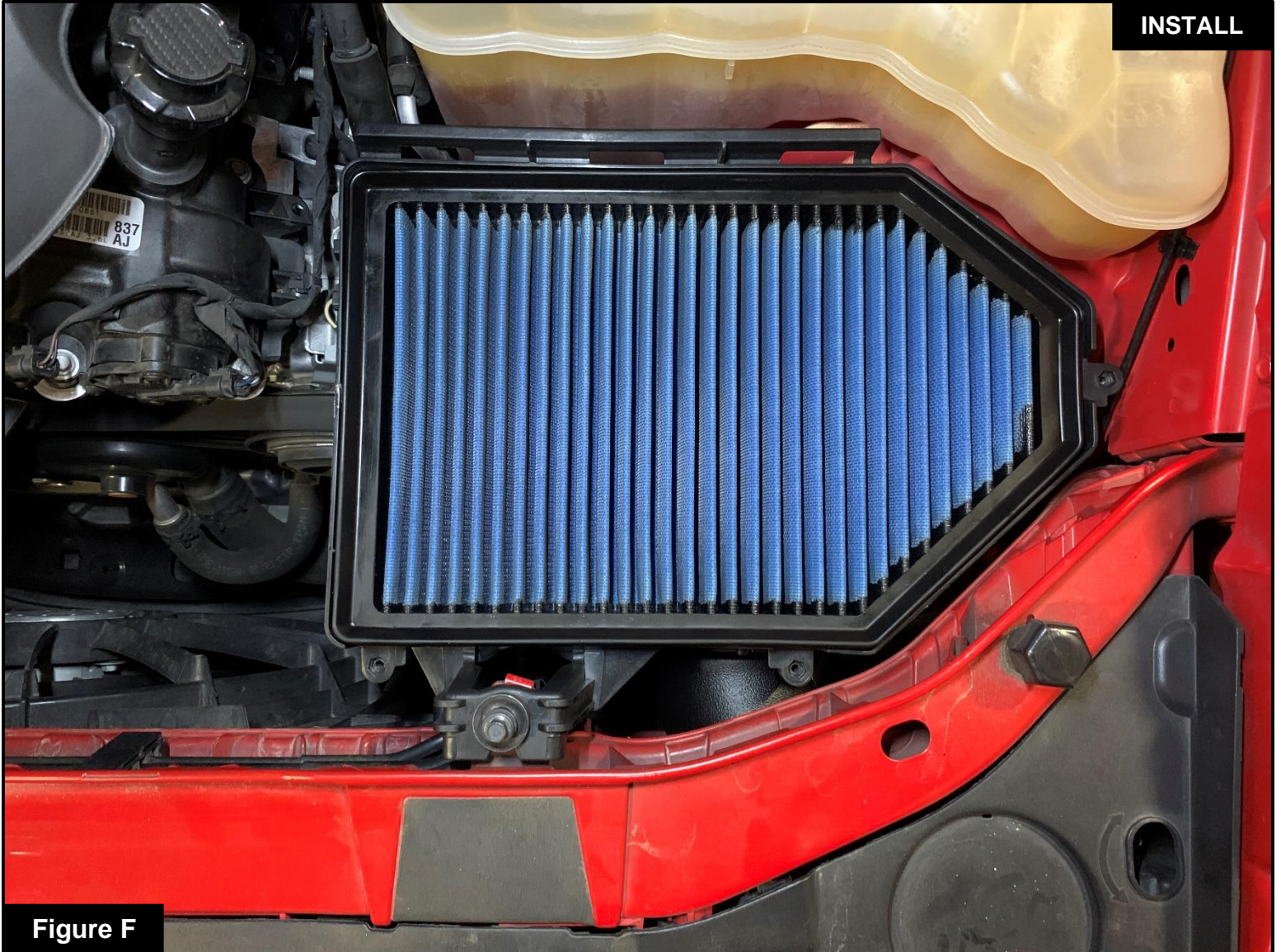


Figure F

Refer to Figure F for Step 13

Step 12: Install the aFe POWER replacement air filter into the housing.

**Figure G**

Refer to Figure G for Step 14

Step 13: Reinstall the upper portion of the factory air box. Connect the tube and close the air box with the three screws. Tighten the clamp on the tube.

Step 14: Reconnect any hose removed from the factory air box.

Step 15: Make sure all clamps and connections are secured. Your installation is now complete. Thank you for choosing aFe POWER!

NOTE: Check all screws, clamps, and connectors are secure after 100-200 miles.



Page left blank intentionally



Page left blank intentionally



Page left blank intentionally

Pro DRY S Air Filter



P/N: 31-10220

Pro 5R Air Filter



P/N: 30-10220

Scoop (Carbon Fiber)



P/N: 54-72203-SF

Scoop (Electric lime)



P/N: 54-72203-SG

Scoop (Blue)



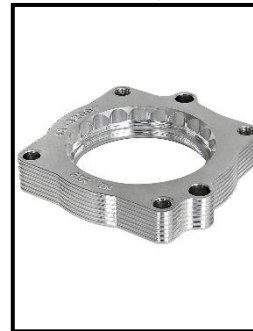
P/N: 54-72203-SL

Scoop (Red)



P/N: 54-72203-SR

Throttle body spacer



P/N: 46-32007

Mechanic Gloves (L)



P/N: 40-10149

Sprint Booster Power Converter



P/N: 77-12002

To purchase any of the items above, view airflow charts, dyno graphs, photos, and video; please go to aFepower.com.



Warranty

General Terms:

- aFe warrants their products to be free from manufacturer's defects due to workmanship and material.
- This warranty applies only to the original purchaser of the product and is non-transferrable.
- Proof of purchase of the aFe product is required for all warranty claims.
- Warranty is valid provided aFe instructions for installation and/or cleaning were properly followed.
- Proper maintenance with regular inspections of product is required to insure warranty coverage.
- Damage due to improper installation, abuse, unauthorized repair or alteration is not warranted.
- Incidental or consequential damages or cost, including installation and removal of part, incurred due to failure of aFe product is not covered under this warranty.
- All warranty is limited to the repair and/or replacement of the aFe part. To request Return Goods Authorization ("RGA"), email RGA@afepower.com or call (951)493-7100. Upon receipt of the RGA, you must return the product to the address provided in the RGA, freight prepaid and accompanied with a dated proof of purchase and the RGA. Upon receipt of the defective product and upon verification of proof of purchase, aFe will either repair or replace the defective product within a reasonable time, not to exceed thirty days.

Product Category	P/N Prefix	Warranty duration
Direct OE Replacement Filters	10, 11, 30, 31, 71, 73	Life of the vehicle
Racing Filters	18	1 year
Universal	20, 21, 23, 24, 72, TF	2 years
Air Intake Systems	50, 51, 53, 54, 55, 56, 57, 58, 75, TR, TA, TL, TM	2 years
Exhaust Systems	49	2 years
Intercoolers & Intercooler Tubes	46-2	2 years
Intake Manifolds	46-1	2 years
Differential Cover	46-7	Life of the vehicle
Exhaust Manifolds	46	2 years
Throttle Body Spacers	46-3	2 years
Turbochargers	46-6	2 years*
Fluid Filters	44	90 days
Pre-Filters	28	2 years
Heavy Duty OE Replacement	70	2 years
PowerSports OE Replacement	81, 87	2 years
PowerSports Intake Systems	85	2 years

No other warranty expressed or implied applies nor is any person or advanced FLOW engineering authorized to assume any other warranty. Some States do not allow the exclusion or limitation of incidental or consequential damages or do not allow limitations on how long an implied warranty lasts, so the above limitations or exclusions may not apply to you. This warranty gives you specific legal rights, and you may also have other rights which vary from State to State.

*See turbocharger warranty for more info



advanced FLOW engineering, inc.

252 Granite Street Corona, CA 92879
TEL: 951.493.7100 • TECH: 951.493.7134
E-Mail: Tech@aFepower.com

P/N: 06-81285