

advanced FLOW engineering

Instruction Manual P/N: 54-82038

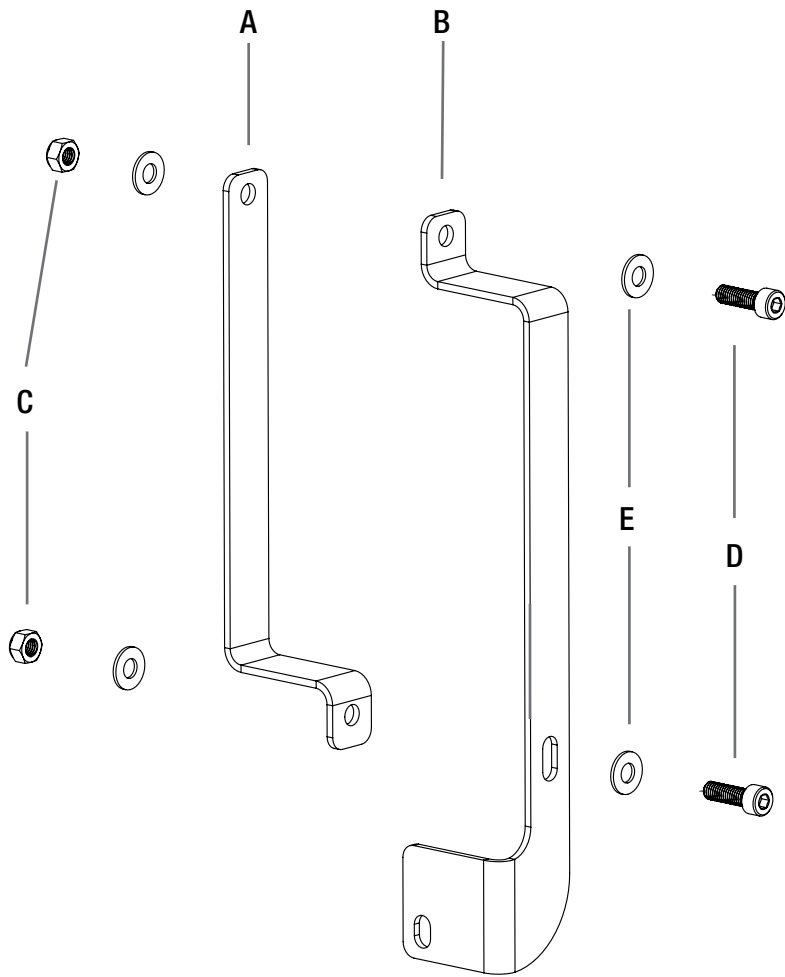
Make: **Dodge** Model: **Diesel Trucks** Year: **2010-2012** Engine: **L6-6.7L**
(For vehicles without factory bang bars)



- Please read the entire instruction manual before proceeding.
- Ensure all components listed are present.
- If you are missing any of the components, call customer support at 951-493-7100.
- Ensure you have all necessary tools before proceeding.
- Do not attempt to work on your vehicle when the engine is hot.
- Disconnect the negative battery terminal before proceeding.
- Retain factory parts for future use.

Label	Qty.	Description	Part Number
A	1	Bracket #1	05-01247
B	1	Bracket #2	05-01248
C	2	Nut, Hex Nylon Lock	03-50244
D	2	Screws, Socket Head	03-50231
E	4	Washers, Flat	03-50228

Installation will require the following tools:
 6mm Allen Wrench, 13mm Socket.





Refer to Figure A for Steps 1-3

Step 1: Install the inside frame bracket (B) in front of the sway bar mount with the tab facing towards the front of the vehicle.

Step 2: Install the other frame bracket behind the front body mount.

Step 3: Attach the two brackets together using the supplied hardware. Loosely tighten the bolts.

REMOVAL



Figure B

Refer to Figure B for step 4

Step 4: Install the Dynamic Air Scoop as shown in the smaller picture, then attach with the supplied hardware (Do not tighten).

Step 5: Adjust the Dynamic Air Scoop so that it sits right below the lower spoiler. Then tighten all bolts

Step 6: Your installation is now complete.



Intake Manifold



P/N: 46-10071

Race Intake Manifold



P/N: 46-10072

Intercooler w/ Tubes



P/N: 46-20082

Intercooler Tube



P/N: 46-20089

Front Differential Cover



P/N: 46-70041

Glide Guard Cover



P/N: 46-70049

Transmission Pan



P/N: 46-70061

Transmission Pan



P/N: 46-70062

Exh Down-Pipe/Race Pipe



P/N: 49-02011

Exhaust Race Pipe



P/N: 49-42020

Rear Differential Cover



P/N: 46-70011

Exhaust Down-Pipe



P/N: 49-42021

To purchase any of the items above, view airflow charts, dyno graphs, photos, and video; please go to aFepower.com.

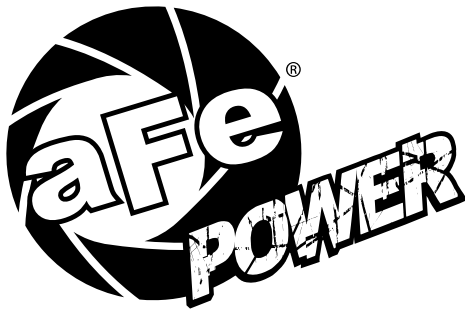
Warranty

General Terms:

- aFe warrants their products to be free from manufacturer's defects due to workmanship and material.
- This warranty applies only to the original purchaser of the product and is non-transferrable.
- Proof of purchase of the aFe product is required for all warranty claims.
- Warranty is valid provided aFe instructions for installation and/or cleaning were properly followed.
- Proper maintenance with regular inspections of product is required to insure warranty coverage.
- Damage due to improper installation, abuse, unauthorized repair or alteration is not warranted.
- Incidental or consequential damages or cost, including installation and removal of part, incurred due to failure of aFe product is not covered under this warranty.
- All warranty is limited to the repair and/or replacement of the aFe part. To request Return Goods Authorization ("RGA"), email RGA@afepower.com or call (951)493-7100. Upon receipt of the RGA, you must return the product to the address provided in the RGA, freight prepaid and accompanied with a dated proof of purchase and the RGA. Upon receipt of the defective product and upon verification of proof of purchase, aFe will either repair or replace the defective product within a reasonable time, not to exceed thirty days.

Product Category	P/N Prefix	Warranty duration
Direct OE Replacement Filters	10, 11, 30, 31, 71, 73	Life of the vehicle
Racing Filters	18	1 year
Universal	21, 24, 72	2 years
Air Intake Systems	50, 51, 54, 55, 75	2 years
Exhaust Systems	49	2 years
Intercoolers & Intercooler Tubes	46-2	2 years
Intake Manifolds	46-1	2 years
Differential Cover	46-7	Life of the vehicle
Exhaust Manifolds	46	2 years
Throttle Body Spacers	46-3	2 years
Fluid Filters	44	90 days
Pre-Filters	28	2 years
Heavy Duty OE Replacement	70	2 years
PowerSports OE Replacement	81, 87	2 years
PowerSports Intake Systems	85	2 years

No other warranty expressed or implied applies nor is any person or advanced FLOW engineering authorized to assume any other warranty. Some States do not allow the exclusion or limitation of incidental or consequential damages or do not allow limitations on how long an implied warranty lasts, so the above limitations or exclusions may not apply to you. This warranty gives you specific legal rights, and you may also have other rights which vary from State to State.



advanced FLOW engineering, inc.

252 Granite Street Corona, CA 92879

TEL: 951.493.7100

E-Mail: Tech@aFepower.com

P/N: 06-80438