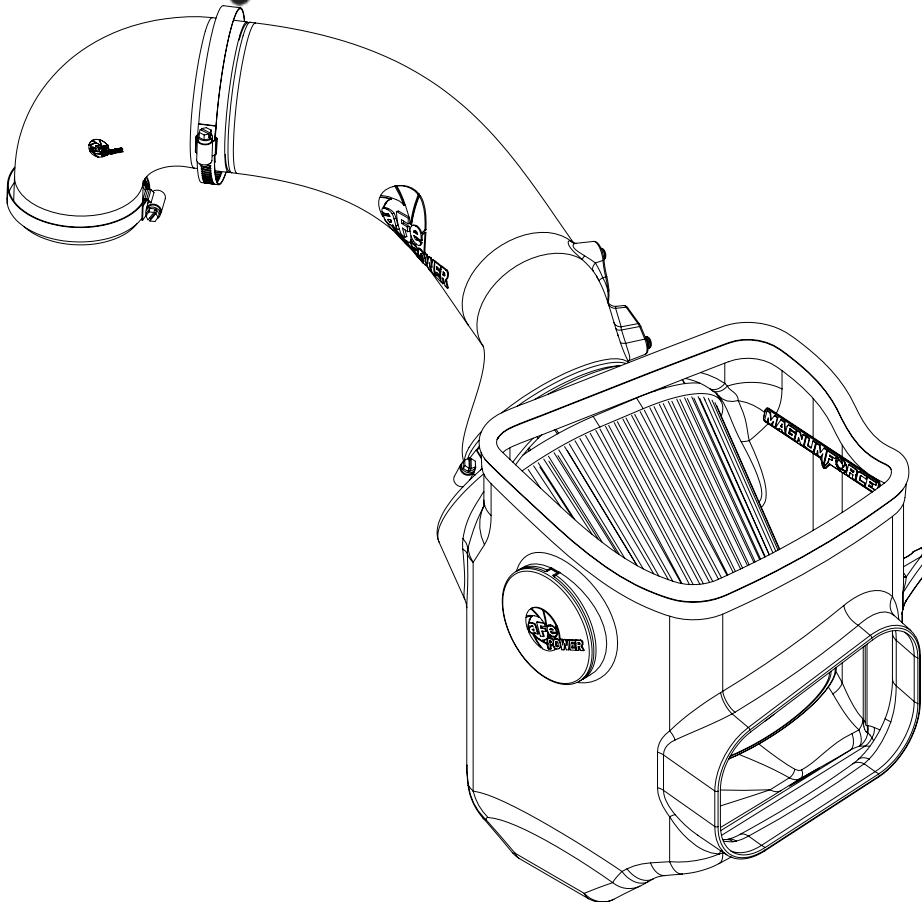


MAGNUM FORCE



advanced FLOW engineering Magnum FORCE Stage-2 Intake System

Instruction Manual P/N: 54-13026D / 54-13026R

Make: **Nissan** Model: **Titan XD** Year: **2016-2019** Engine: **V8-5.0L (td) Cummins**



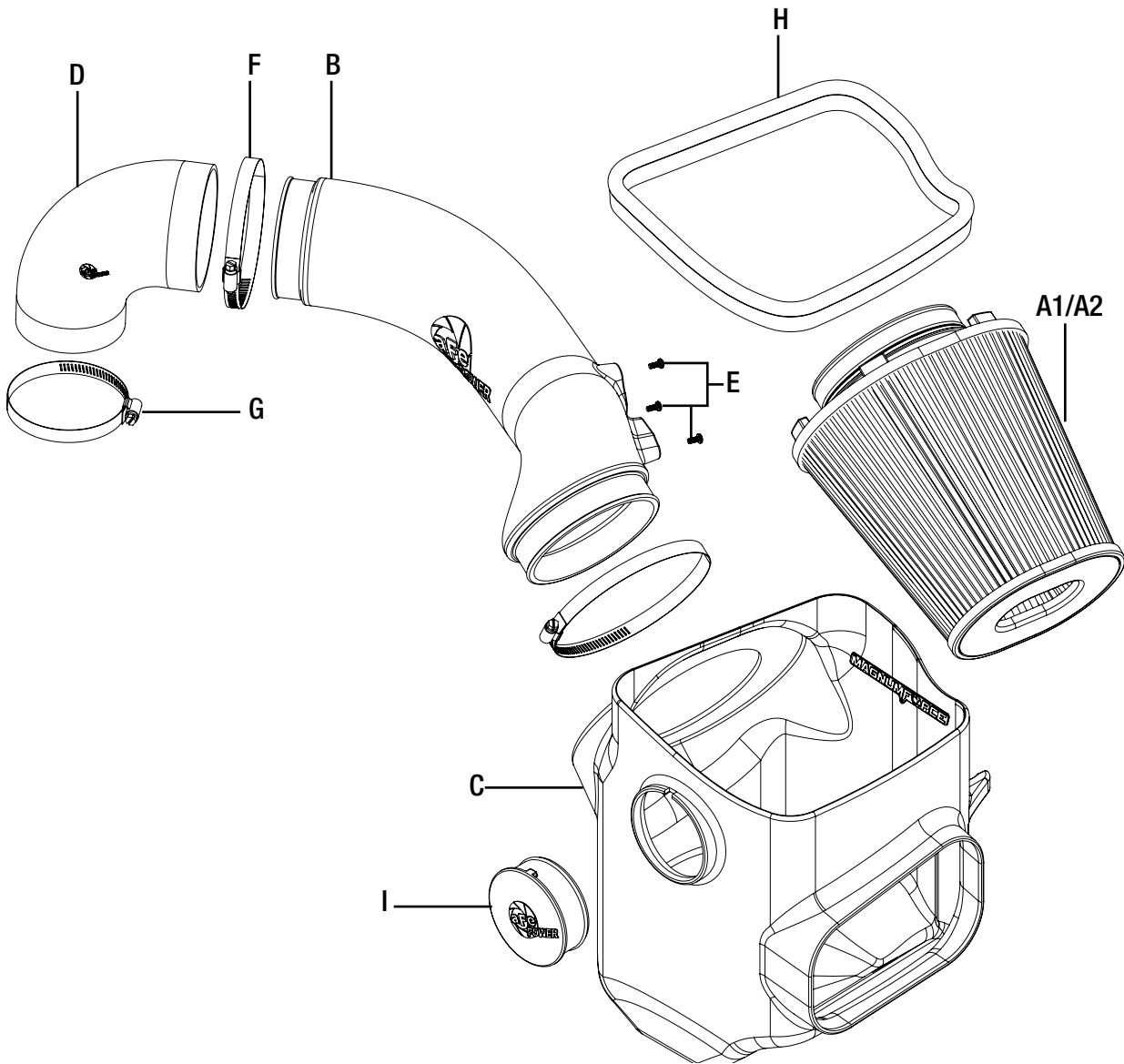
- Please read the entire instruction manual before proceeding.
- Ensure all components listed are present.
- If you are missing any of the components, call customer support at 951-493-7100.
- Ensure you have all necessary tools before proceeding.
- Do not attempt to work on your vehicle when the engine is hot.
- Disconnect the negative battery terminal before proceeding.
- Retain factory parts for future use.

Label	Qty.	Description	Part Number
A1	1	Air Filter (Pro DRY S)	21-91120
A2	1	Air Filter (Pro 5R)	24-91120
B	1	Tube	05-5413026B1
C	1	Housing	05-5413026B2
D	1	Coupling, Silicone Elbow Reducer	05-01402
E	3	Screw, Torx: M4	03-50490
F	1	Clamp, #072	03-50010
G	1	Clamp, #056	03-50009
H	1	Seal, Trim: 3/4" (35 inches)	05-00007
I	1	Plug, Urethane	05-01361

Tools required for installation:

8mm & 10mm nut drivers or socket, T20 torx driver and Phillips screwdriver.

Note: Legal in California for use on race vehicles only. The use of this device on vehicles used on public streets or highways is strictly prohibited in California and others states that have adopted California emission regulations.



**Figure A****Refer to Figure A for Steps 1-2**

Step 1: Disconnect the MAF ① and temperature sensors ② located on the factory airbox.

Step 2: Using an 8mm nut driver, loosen the hose clamp ③ that connects the turbo inlet to the intake tube.



Figure B

Refer to Figure B for Steps 3-4

Step 3: Unclip the two locking clips ④ located on the side of the factory airbox.

Step 4: Using a 10mm nut driver, remove the screw ⑤ located on the back of the factory airbox and set aside for later use.

**Figure C****Refer to Figure C for Steps 5-6**

Step 5: Remove the factory airbox lid (6) and pull up on the intake tube (7) that's connected to the turbo inlet, remove the complete assembly.

Step 6: Remove the factory air filter from the bottom half of the factory airbox.



Figure D

Refer to Figure D for Step 7

Step 7: Using a 10mm nut driver, remove the two screws ⑧ that are located on the bottom of the factory airbox. Remove the factory airbox.



Figure E

Refer to Figure E for Steps 8-9

Step 8: Using a Phillips screwdriver, remove the MAF (9) and temperature sensors (10).

Step 9: Install the sensors on the aFe POWER intake tube using the supplied M4 screws with a T20 torx drive.



Figure F

Refer to Figure F for Steps 10-11

Step 10: Transfer the two screws with grommets (11) and the grommet with metal insert (12) from the factory airbox to the aFe POWER housing.

Step 11: Install the trim seal (13) onto the aFe POWER housing.

**Refer to Figure G for Steps 12-13**

Step 12: Install the aFe POWER housing into the truck using the two screws (14) and a 10mm nut driver.

Step 13: Secure the aFe POWER housing with the mounting screw (15) removed on Step 4.



Figure H

Refer to Figure H for Step 14

Step 14: Remove the filter clamp ⑯ from the aFe POWER filter. Slide the aFe POWER filter into the aFe POWER housing from the top. Then guide the filter flange through the round opening in the housing and snap in the filter. Place the filter clamp on the filter flange.

**Figure I****Refer to Figure I for Steps 15-17**

Step 15: Install the elbow coupling (17) onto the aFe POWER intake tube using the #072 hose clamp (18), then place the #056 hose clamp (19) on the other end of the coupling.

Step 16: Install the aFe POWER intake tube into the air filter.

Step 17: Install the aFe POWER intake tube with coupling onto the turbo inlet (20). Align the intake tube, then tighten down all the hose clamps using an 8mm nut driver.



Figure J

Refer to Figure J for Step 18

Step 18: Reconnect both, the MAF ① and temperature sensors ②.

**Figure K****Refer to Figure K for Steps 19-20**

Step 19: Install the urethane plug into the airbox ②③ unless the optional aFe POWER dynamic air scoop (P/N: 54-76105-S) is being install.

Step 20: Check all the components are tight and secure. Your installation is now complete. Thank you for choosing aFe POWER!

NOTE: Check all bolts, clamps, and connectors after 100-200 miles.

PAGE LEFT BLANK INTENTIONALLY



PAGE LEFT BLANK INTENTIONALLY

PAGE LEFT BLANK INTENTIONALLY



Pro DRY S Air Filter



P/N: 21-91120

Pro 5R Air Filter



P/N: 24-91120

Pro-GUARD 7 Air Filter



P/N: 72-91120

Pre-Filter



P/N: 28-10033

Pro DRY S Restore Kit



P/N: 90-59999

Blue Squeeze Restore Kit



P/N: 90-50501

Gold Squeeze Restore Kit



P/N: 90-50500

DPF-Back Exhaust System



P/N: 49-46113-B (Blk Tip)
49-46113-P (Pol Tip)

Intercooler w/ Tubes



P/N: 46-20282-B

Rear Differential Cover



P/N: 46-70362-WL (w/ Oil)
46-70360 (RAW)

SCORCHER HD Module



P/N: 77-46101

DP-Back Exhaust System



P/N: 49-46127-B (Blk Tip)
49-46127-P (Pol Tip)

To purchase any of the items above, view airflow charts, dyno graphs, photos, and video; please go to aFepower.com.

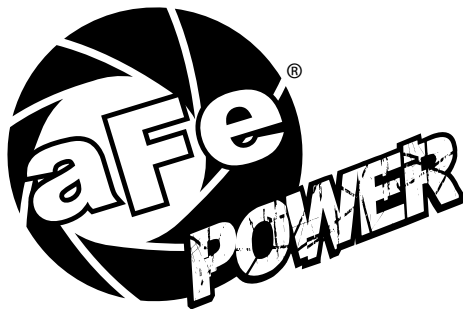
Warranty

General Terms:

- aFe warrants their products to be free from manufacturer's defects due to workmanship and material.
- This warranty applies only to the original purchaser of the product and is non-transferrable.
- Proof of purchase of the aFe product is required for all warranty claims.
- Warranty is valid provided aFe instructions for installation and/or cleaning were properly followed.
- Proper maintenance with regular inspections of product is required to insure warranty coverage.
- Damage due to improper installation, abuse, unauthorized repair or alteration is not warranted.
- Incidental or consequential damages or cost, including installation and removal of part, incurred due to failure of aFe product is not covered under this warranty.
- All warranty is limited to the repair and/or replacement of the aFe part. To request Return Goods Authorization ("RGA"), email RGA@afepower.com or call (951)493-7100. Upon receipt of the RGA, you must return the product to the address provided in the RGA, freight prepaid and accompanied with a dated proof of purchase and the RGA. Upon receipt of the defective product and upon verification of proof of purchase, aFe will either repair or replace the defective product within a reasonable time, not to exceed thirty days.

Product Category	P/N Prefix	Warranty duration
Direct OE Replacement Filters	10, 11, 30, 31, 71, 73	Life of the vehicle
Racing Filters	18	1 year
Universal	21, 23, 24, 72	2 years
Air Intake Systems	50, 51, 53, 54, 55, 75	2 years
Exhaust Systems	49	2 years
Intercoolers & Intercooler Tubes	46-2	2 years
Intake Manifolds	46-1	2 years
Differential Cover	46-7	Life of the vehicle
Exhaust Manifolds	46	2 years
Throttle Body Spacers	46-3	2 years
Fluid Filters	44	90 days
Pre-Filters	28	2 years
Heavy Duty OE Replacement	70	2 years
PowerSports OE Replacement	81, 87	2 years
PowerSports Intake Systems	85	2 years

No other warranty expressed or implied applies nor is any person or advanced FLOW engineering authorized to assume any other warranty. Some States do not allow the exclusion or limitation of incidental or consequential damages or do not allow limitations on how long an implied warranty lasts, so the above limitations or exclusions may not apply to you. This warranty gives you specific legal rights, and you may also have other rights which vary from State to State.



advanced FLOW engineering, inc.
252 Granite Street Corona, CA 92879
TEL: 951.493.7100 • TECH: 951.493.7134
E-Mail: Tech@aFepower.com