

advanced FLOW engineering Stage-2 Air Intake

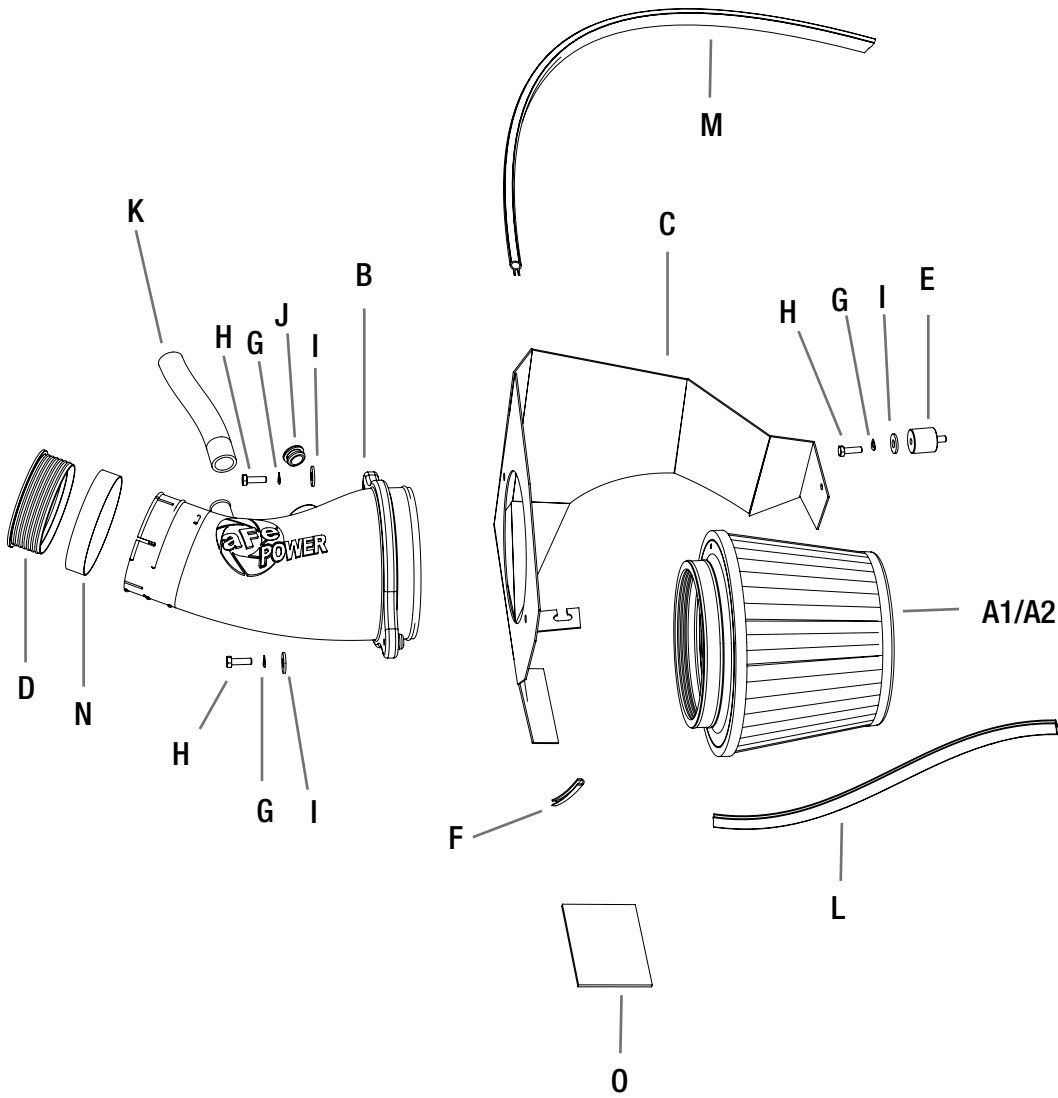
Instruction Manual P/N: 54-12172 / 51-12172

Make: **Dodge/Chrysler** Model: **Challenger/Charger/300 SRT-8** Year: **11-17** Engine: **V8-6.4L HEMI**



- Please read the entire instruction manual before proceeding.
- Ensure all components listed are present.
- If you are missing any of the components, call customer support at 951-493-7100.
- Ensure you have all necessary tools before proceeding.
- Do not attempt to work on your vehicle when the engine is hot.
- Disconnect the negative battery terminal before proceeding.
- Retain factory parts for future use.

Label	Qty.	Description	Part Number
A1	1	Air Filter (Pro 5R)	24-91035 (Blue Media)
A2	1	Air Filter (Pro DRY S)	21-91035 (Grey Media)
B	1	Tube	05-12172B1
C	1	Housing	05-12172B2
D	1	Silicone Coupling	05-01193
E	1	Isolation Mount M6	03-50206
F	1	Trim Seal (12.5 Inches)	05-00149
G	3	Lock Washer M6	03-50071
H	3	Screw Hex M6	03-50052
I	3	Flat Washer M6	03-50070
J	1	Grommet	03-50033
K	1	Hose 3/4" (6.50 Inches)	05-00070
L	1	Trim Seal (16.5 Inches)	05-00072
M	1	Trim Seal (25 Inches)	05-00072
N	1	T-bolt Clamp	03-50265
O	1	Isolation Pad	03-50196



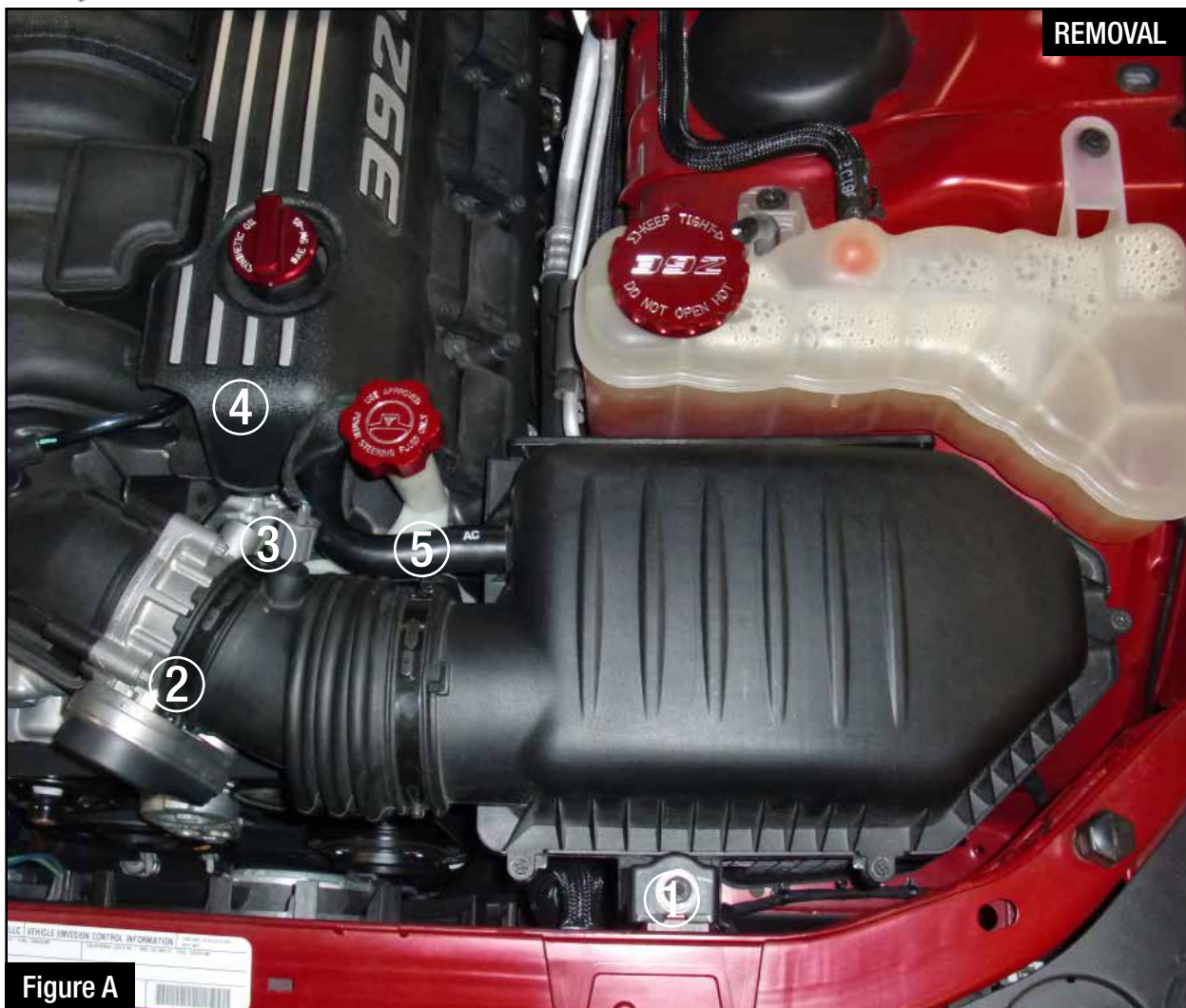


Figure A

Refer to Figure A for step 1-5

Step 1: Remove the 8mm bolt off the OE air box ①.

Step 2: Loosen the clamp off the OE intake tube ②.

Step 3: Unplug the temp sensor ③.

Step 4: Remove the driverside engine valve cover ④ and remove the crank case hose ⑤.

Step 5: Remove the OE airbox out of the vehicle.



Figure B

Refer to Figure B for steps 6-7

Step 6: Remove the 10mm bolt from the fender side ⑥.

Step 7: Install the furnished isolation mount into the hole from step 6.

**Figure C****Refer to Figure C for steps 8-11**

Step 8: Remove the OE grommet and metal insert from the OE housing (7).

Step 9: Install the OE grommet and metal insert onto the aFe housing (8).

Step 10: Install the furnished seal trim onto the outer edge of the aFe housing and install foam pad where housing rests (9).

Step 11: Install the aFe housing into the vehicle.



Figure D

Refer to Figure D for steps 12-14

Step 12: Install the furnished silicone coupling onto the throttle body (10).

Step 13: Install the furnished grommet onto the aFe intake tube and place the T-bolt clamp onto the throttle body side of the aFe intake tube.

Step 14: Install the aFe intake tube into the vehicle (11) using the furnished hardware.



Figure E

Refer to Figure E for steps 15-19

- Step 15: Remove temp sensor from the OE intake tube and install it into the aFe tube.
- Step 16: Install the crank case hose onto the aFe intake tube using the furnished hose.
- Step 17: Install the air filter onto the aFe intake tube with the furnished clamp.
- Step 18: Tighten all connections and reinstall the valve cover removed in step 4.
- Step 19. Your installation is now complete!

NOTE: Place enclosed CARB EO sticker on a smooth/clean surface on or near the air intake system. EO identification label is required to pass the smog check inspection.

Page left blank intentionally



Pro DRY S Air Filter



P/N: 21-91035

Pro 5R Air Filter



P/N: 24-91035

Pro DRY S Restore Kit



P/N: 90-59999

Blue Squeeze Restore Kit



P/N: 90-50501

Twisted Steel Headers



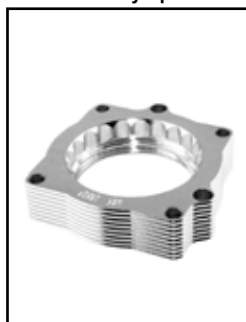
P/N: 48-42002

Cat-Back Exhaust



P/N: 49-42028

Throttle Body Spacer



P/N: 46-32007

Sprint Booster



P/N: 77-12001

Y-Pipe Exhaust



P/N: 48-42006

To purchase any of the items above, view airflow charts, dyno graphs, photos, and video; please go to aFepower.com.

Warranty

General Terms:

- aFe warrants their products to be free from manufacturer's defects due to workmanship and material.
- This warranty applies only to the original purchaser of the product and is non-transferrable.
- Proof of purchase of the aFe product is required for all warranty claims.
- Warranty is valid provided aFe instructions for installation and/or cleaning were properly followed.
- Proper maintenance with regular inspections of product is required to insure warranty coverage.
- Damage due to improper installation, abuse, unauthorized repair or alteration is not warranted.
- Incidental or consequential damages or cost, including installation and removal of part, incurred due to failure of aFe product is not covered under this warranty.
- All warranty is limited to the repair and/or replacement of the aFe part. To request Return Goods Authorization ("RGA"), email RGA@afepower.com or call (951)493-7100. Upon receipt of the RGA, you must return the product to the address provided in the RGA, freight prepaid and accompanied with a dated proof of purchase and the RGA. Upon receipt of the defective product and upon verification of proof of purchase, aFe will either repair or replace the defective product within a reasonable time, not to exceed thirty days.

Product Category	P/N Prefix	Warranty duration
Direct OE Replacement Filters	10, 11, 30, 31, 71, 73	Life of the vehicle
Racing Filters	18	1 year
Universal	21, 24, 72, TF	2 years
Air Intake Systems	50, 51, 54, 55, 75, TR, TA, TL	2 years
Exhaust Systems	49	2 years
Intercoolers & Intercooler Tubes	46-2	2 years
Intake Manifolds	46-1	2 years
Differential Cover	46-7	Life of the vehicle
Exhaust Manifolds	46	2 years
Throttle Body Spacers	46-3	2 years
Turbochargers	46-6	2 years*
Fluid Filters	44	90 days
Pre-Filters	28	2 years
Heavy Duty OE Replacement	70	2 years
PowerSports OE Replacement	81, 87	2 years
PowerSports Intake Systems	85	2 years

No other warranty expressed or implied applies nor is any person or advanced FLOW engineering authorized to assume any other warranty. Some States do not allow the exclusion or limitation of incidental or consequential damages or do not allow limitations on how long an implied warranty lasts, so the above limitations or exclusions may not apply to you. This warranty gives you specific legal rights, and you may also have other rights which vary from State to State.

*See turbocharger warranty for more info



advanced FLOW engineering, inc.

252 Granite Street Corona, CA 92879

TEL: 951.493.7100 • TECH: 951.493.7100 x23

E-Mail: Tech@aFepower.com