

advanced FLOW engineering Quantum Cold Air Intake System

Instruction Manual P/N: 53-10015D / 53-10015R

Make: Dodge/RAM

Model: 2500/3500

Year: 2010-2012

Engine: L6-6.7L (td) Cummins



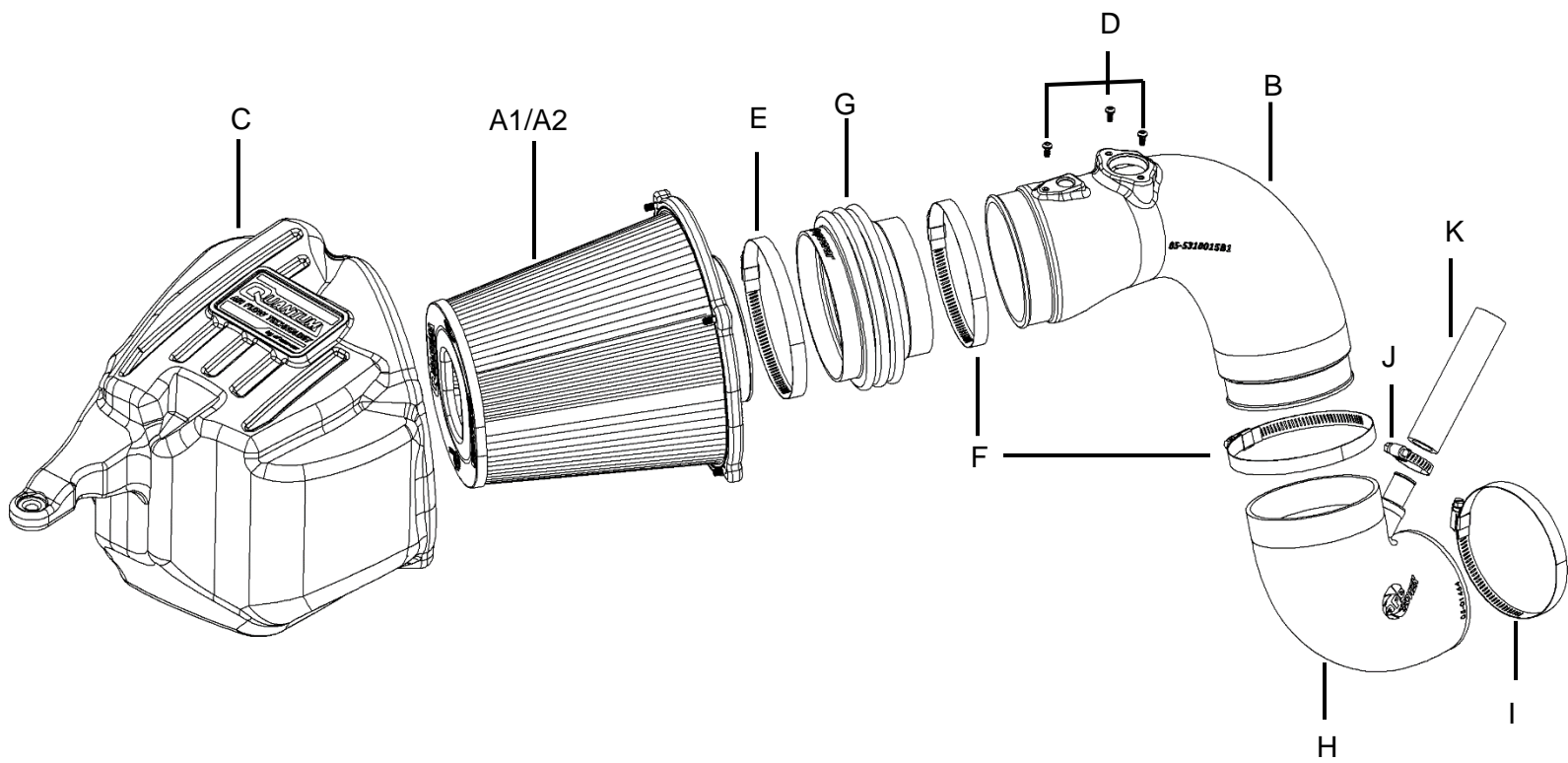
- Please read the entire instruction manual before proceeding.
- Ensure all components listed are present.
- If you are missing any of the components, call customer support at 951-493-7100.
- Ensure you have all necessary tools before proceeding.
- Do not attempt to work on your vehicle when the engine is hot.
- Retain factory parts for future use.

Label	Qty.	Description	Part Number
A1	1	Air Filter (Pro 5R)	23-91129
A2	1	Air Filter (Pro DRY S)	21-90098
B	1	Tube	05-5310029B1
C	1	Housing	05-54006B2
D	3	Screw, Torx: M4 x .7 x 10mm	03-50490
E	1	Clamp, 080 (3-1/2" – 5-1/2")	03-50011
F	2	Clamp, 072 (3" - 5")	03-50010
G	1	Coupling, Silicone Bellow	05-01457
H	1	Coupling, Silicone Elbow w/port	05-01464
I	1	Clamp, 064 (2-1/2" - 4-1/2 ")	03-50006
J	1	Clamp, Mini 012 (11/16" - 1-1/4")	03-50023
K	1	Hose, Silicone Breather: 3/4" ID, Black (6"L)	05-01475

Installation will require the following tools:

7mm & 8mm nut drivers, T20 Torx driver, 13mm socket & ratchet, Phillips #3 and flat blade screwdrivers, pliers

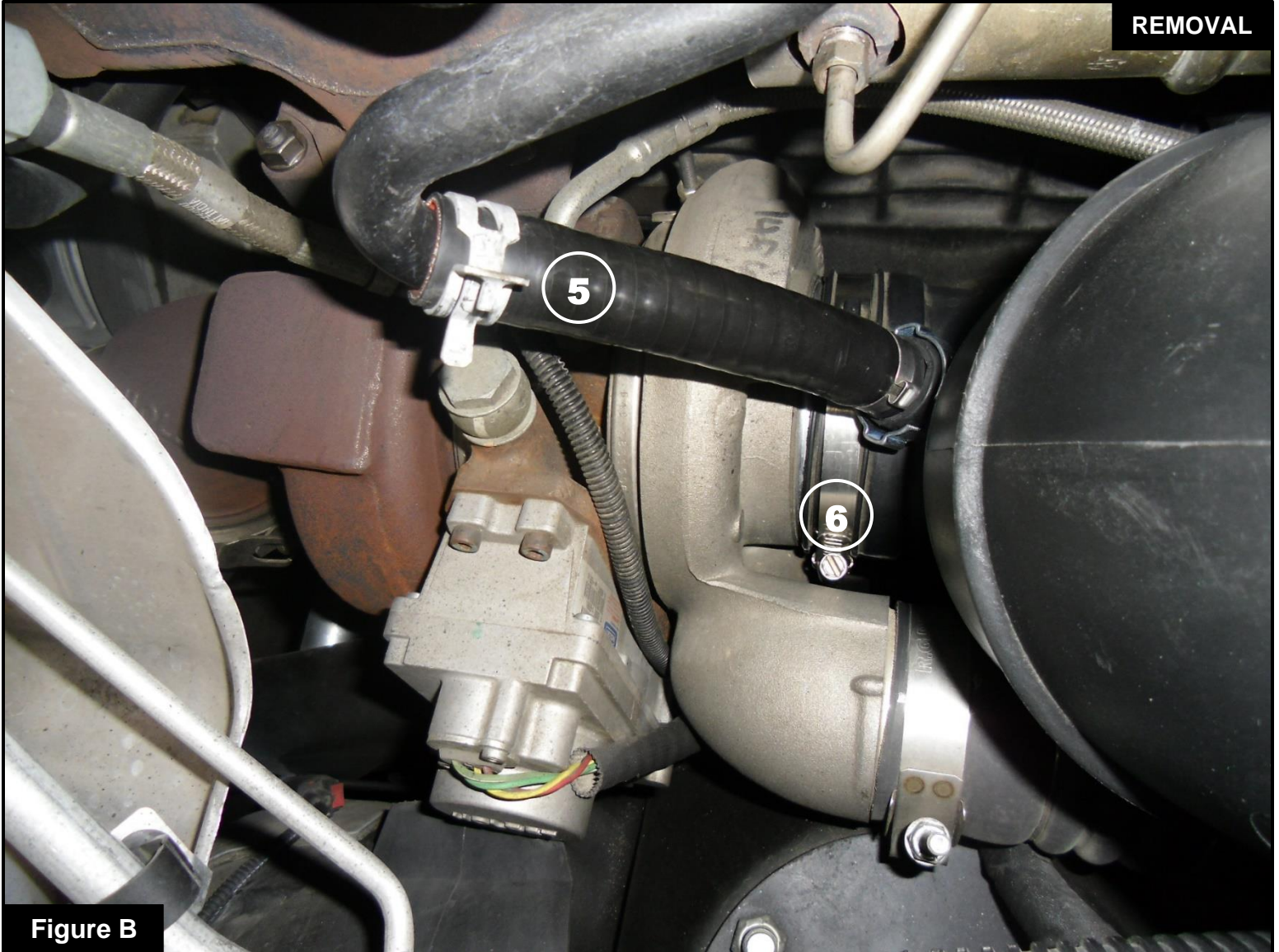
Emissions Disclaimer: This product is not currently CARB exempt and is not available for purchase in California or for use on any vehicle registered with the California Department of Motor Vehicles.



**Figure A****Refer to Figure A for Steps 1-2**

Step 1: Disconnect the wiring harness retaining clip (1), the MAF sensor (2) and the temperature sensor (3).

Step 2: Using a 13mm socket and ratchet, remove the screw (4) holding down the factory housing.

**Figure B****Refer to Figure B for Steps 3-4**

Step 3: Disconnect the crankcase vent line (5) using pliers (factory clamp will be re-used).

Step 4: Using an 8mm nut driver, loosen the clamp (6) connecting the factory intake tube to the turbocharger.



Figure C

Refer to Figure C for Step 5

Step 5: Carefully lift up on the housing to release the two mounting pins from the mounting grommets.

Remove the entire intake from the vehicle.

**Figure D****Refer to Figure D for Steps 6-7**

Step 6: Slide the aFe filter into the aFe housing. Install the aFe filter using a #3 Phillips screwdriver. Tighten all (x4) screws.

Step 7: Install the supplied bellows coupling (7) onto the air filter using the supplied #80 clamp (8). Tighten the clamp using an 8mm nut driver.



Figure E

Refer to Figure E for Steps 8-9

Step 8: Install the aFe housing assembly into the vehicle. Firmly push the housing into the factory mounting grommets.

Step 9: Reinstall the factory screw (9) removed in Step 2 to secure the aFe housing. Tighten the screw using a 13mm socket and ratchet.

**Figure F****Refer to Figure F for Steps 10-11**

Step 10: Using a 7mm nut driver, remove the MAF sensor (10) and the temperature sensor (11) from the factory housing.

Step 11: Using a T20 Torx driver, transfer the sensors to the aFe intake tube using the supplied M4 screws.



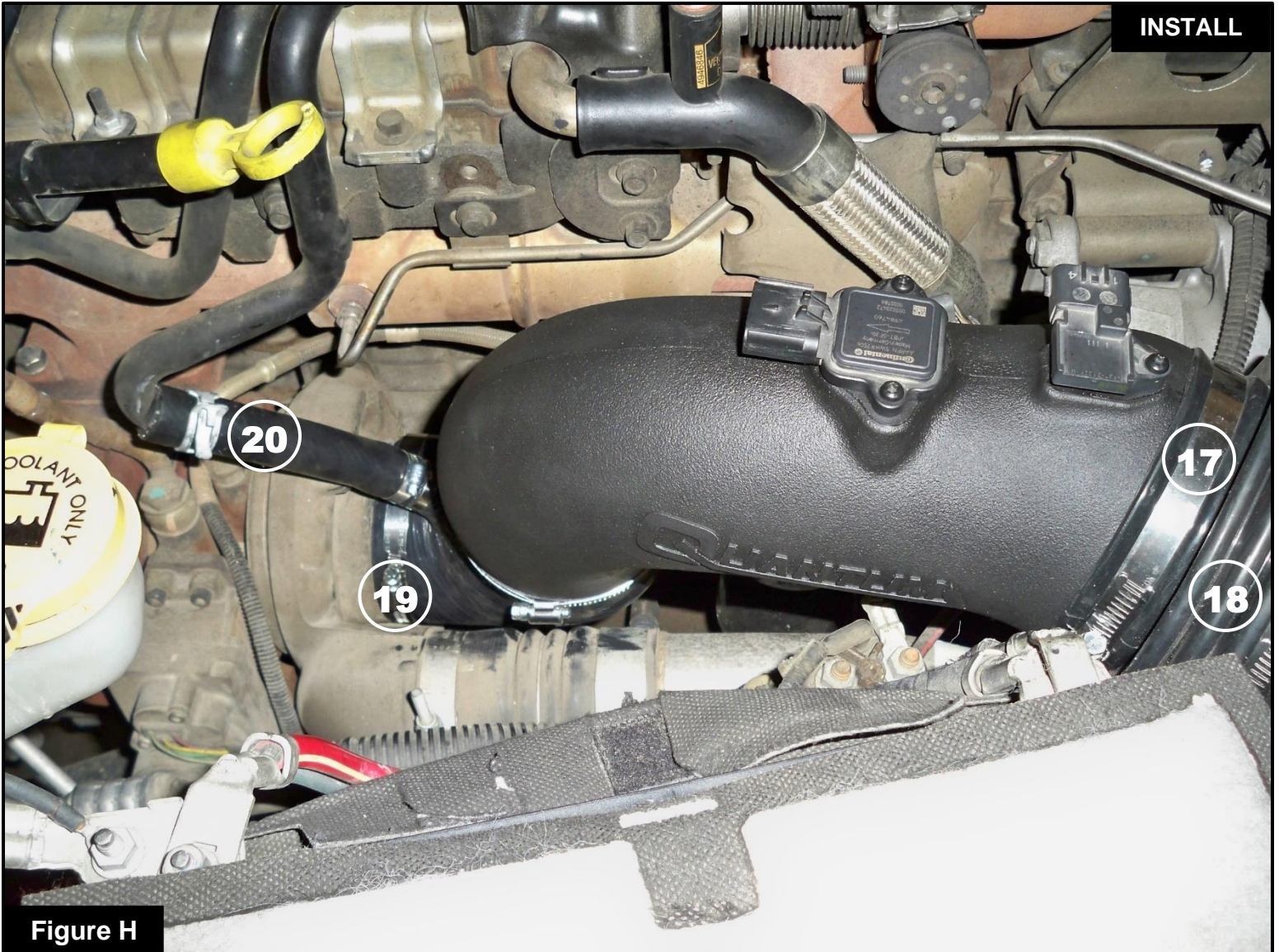
Figure G

Refer to Figure G for Steps 12-14

Step 12: Install the supplied silicone hose (12) onto the aluminum fitting on the supplied elbow coupling (13) and secure with the supplied mini clamp (14). Slide the factory clamp (15) on the other end of the silicone hose.

Step 13: Place a supplied #72 clamp (16) on the larger end of the elbow coupling.

Step 14: Install the aFe intake tube into the coupling aligning the parting line of the intake tube with the aluminum fitting on the coupling. Tighten the clamp using an 8mm nut driver.


Figure H

Refer to Figure H for Steps 15-17

Step 15: Place the other supplied #72 clamp (17) on the filter coupling (18).

Step 16: Place the #64 clamp (19) on the elbow coupling and install the aFe intake tube assembly onto the turbo first then slide it into the filter coupling. Align the intake tube assembly so its not too close to the exhaust, then tighten the clamps.

Step 17: Connect the silicone hose (20) to the factory crankcase line. Using pliers, secure it with the factory clamp.

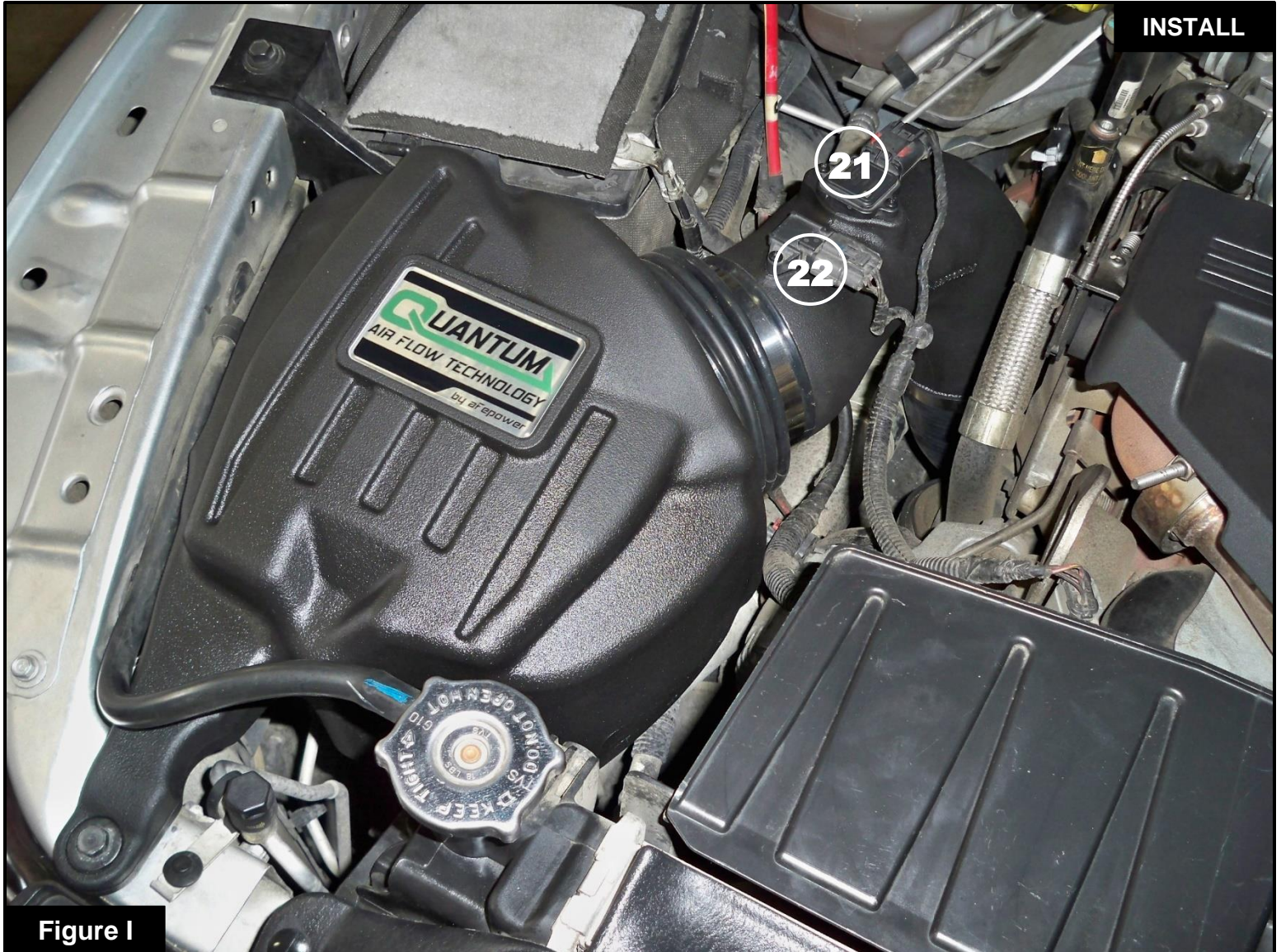


Figure I

Refer to Figure I for Steps 18-19

Step 18: Reconnect the MAF sensor (21) and the temperature sensor (22) plugs.

Step 19: Check all the components are tight and secure. Your installation is now complete. Thank you for choosing aFe POWER!

NOTE: Check all screws, clamps, and connectors are secure after 100-200 miles.



Page left blank intentionally



Pro DRY S Air Filter Inv.



P/N: 21-91129

Pro 5R Air Filter Inv.



P/N: 23-91129

Pro-GUARD 7 Air Filter Inv.



P/N: 72-91129

Pro DRY S Air Filter



P/N: 21-90098

Pro DRY S Restore Kit



P/N: 90-59999

Blue Squeeze Restore Kit



P/N: 90-50501

Gold Squeeze Restore Kit



P/N: 90-50500

Pre-Filter



P/N: 28-10423

SCORCHER PRO Tune



P/N: 77-32001

SCORCHER BLUE Module



P/N: 77-82008

Sprint Booster



P/N: 77-12005 (06.5-11)
P/N: 77-12007 (12-19)

AGD



P/N: 77-91001

To purchase any of the items above, view airflow charts, dyno graphs, photos, and video; please go to aFepower.com.



Warranty

General Terms:

- aFe warrants their products to be free from manufacturer's defects due to workmanship and material.
- This warranty applies only to the original purchaser of the product and is non-transferrable.
- Proof of purchase of the aFe product is required for all warranty claims.
- Warranty is valid provided aFe instructions for installation and/or cleaning were properly followed.
- Proper maintenance with regular inspections of product is required to insure warranty coverage.
- Damage due to improper installation, abuse, unauthorized repair or alteration is not warranted.
- Incidental or consequential damages or cost, including installation and removal of part, incurred due to failure of aFe product is not covered under this warranty.
- All warranty is limited to the repair and/or replacement of the aFe part. To request Return Goods Authorization ("RGA"), email RGA@afepower.com or call (951)493-7100. Upon receipt of the RGA, you must return the product to the address provided in the RGA, freight prepaid and accompanied with a dated proof of purchase and the RGA. Upon receipt of the defective product and upon verification of proof of purchase, aFe will either repair or replace the defective product within a reasonable time, not to exceed thirty days.

Product Category	P/N Prefix	Warranty duration
Direct OE Replacement Filters	10, 11, 30, 31, 71, 73	Life of the vehicle
Racing Filters	18	1 year
Universal	20, 21, 23, 24, 72, TF	2 years
Air Intake Systems	50, 51, 53, 54, 55, 56, 57, 58, 75, TR, TA, TL, TM	2 years
Exhaust Systems	49	2 years
Intercoolers & Intercooler Tubes	46-2	2 years
Intake Manifolds	46-1	2 years
Differential Cover	46-7	Life of the vehicle
Exhaust Manifolds	46	2 years
Throttle Body Spacers	46-3	2 years
Turbochargers	46-6	2 years*
Fluid Filters	44	90 days
Pre-Filters	28	2 years
Heavy Duty OE Replacement	70	2 years
PowerSports OE Replacement	81, 87	2 years
PowerSports Intake Systems	85	2 years

No other warranty expressed or implied applies nor is any person or advanced FLOW engineering authorized to assume any other warranty. Some States do not allow the exclusion or limitation of incidental or consequential damages or do not allow limitations on how long an implied warranty lasts, so the above limitations or exclusions may not apply to you. This warranty gives you specific legal rights, and you may also have other rights which vary from State to State.

*See turbocharger warranty for more info



advanced FLOW engineering, inc.

252 Granite Street Corona, CA 92879
TEL: 951.493.7100 • TECH: 951.493.7134
E-Mail: Tech@aFepower.com

P/N: 06-81310