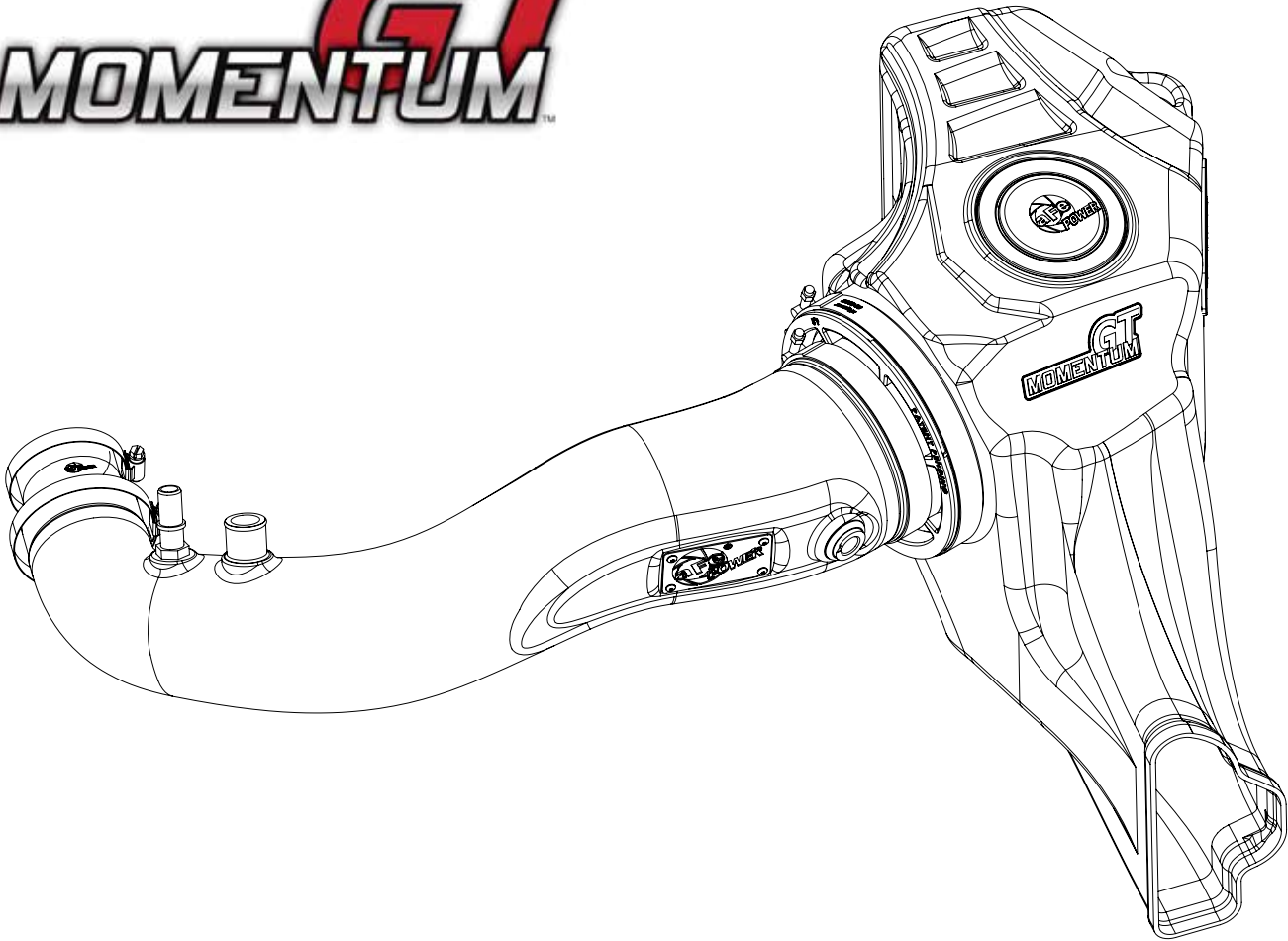


GT
MOMENTUM™



advanced FLOW engineering Momentum GT Cold Air Intake System

Instruction Manual P/N: 50-70050D / 50-70050R

Make: **Ford** Model: **Mustang EcoBoost** Year: **2018-2019** Engine: **I4-2.3L (t)**



- Please read the entire instruction manual before proceeding.
- Ensure all components listed are present.
- If you are missing any of the components, call customer support at 951-493-7100.
- Ensure you have all necessary tools before proceeding.
- Do not attempt to work on your vehicle when the engine is hot.



Retain factory parts for future use.

Label	Qty.	Description	Part Number
A1	1	Air Filter (Pro 5R)	24-91062
A2	1	Air Filter (Pro DRY S)	21-91062
B	1	Tube	05-73201B1
C	1	Housing	05-5070033B2
D	1	Clamp, T-bolt	03-50352
E	2	Clamp, #044	03-50019
F	1	Coupling, Silicone Reducer	05-01333
G	1	Fitting, Air Temp	05-01454
H	1	Fitting, Large	05-01339
I	1	Plug, Urethane	05-00937
J	1	Grommet	03-50167

Installation will require the following tools:

8mm nut driver, 7mm nut driver, 10mm deep socket & driver, 11mm deep socket, 20mm socket & wrench, adjustable wrench, flat head screwdriver, pliers or spring clamp tool, anaerobic liquid pipe sealant or teflon tape.

Emissions Disclaimer: This product is not currently CARB exempt and is not available for purchase in California or for use on any vehicle registered with the California Department of Motor Vehicles.

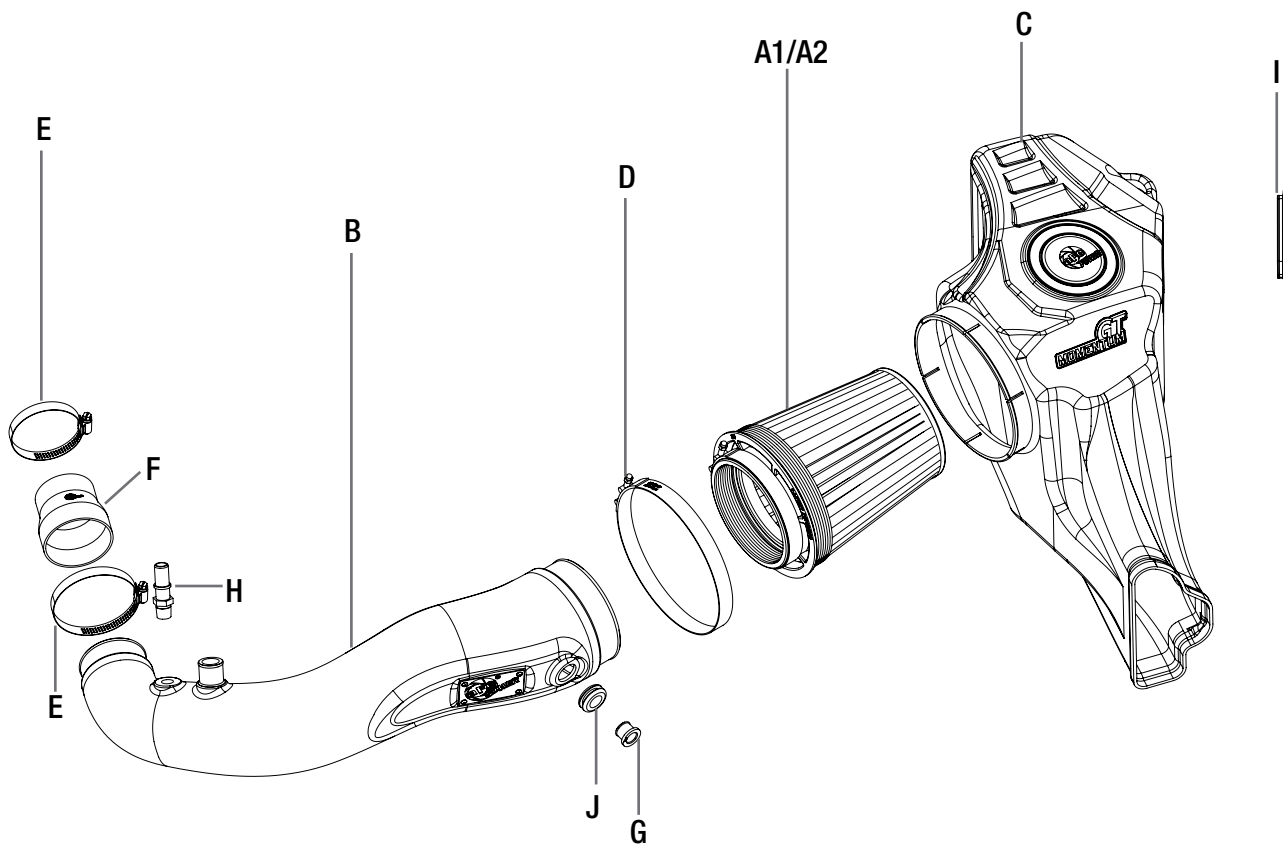




Figure A

Refer to Figure A for Step 1

Step 1: Loosen the two (x2) clamps on the intake tube. One at the turbo and one at the airbox.



Figure B

Refer to Figure B for Steps 2-3

Step 2: Using pliers (or a spring clamp tool) remove the spring clamp from the large 1" rubber hose.

Keep the spring clamp on the rubber hose because it will be reused in a later step. ①

Step 3: Push the release button on the Crank Case Vent connector and pull up on the tube, to remove the connector from the SAE fitting on the stock intake tube. ②



Figure C

Refer to Figure C for Step 4

Step 4: Remove the stock intake tube from the vehicle.



Figure D

Refer to Figure D for Steps 5-7

Step 5: Remove the 10mm bolt on the side of the airbox. ③

Step 6: Disconnect stock temp sensor harness from the sensor and the airbox.

Step 7: Pull the airbox out of the vehicle by lifting straight up on the airbox.



Figure E

Refer to Figure E for Step 8

Step 8: Remove the temp sensor from the airbox by twisting it a 1/4 turn counterclockwise and pulling straight out. Store the temp sensor in a safe place so that it can be reused with your new aFe POWER air intake system.

CAUTION: Do NOT break the small plastic tab on the sensor.



Figure F

Refer to Figure F for Steps 9-10

Step 9: Remove the stock rubber grommet and metal sleeve from the factory airbox and install them in the same orientation into the new aFe POWER airbox.

Step 10: Remove the rubber guide bushing from the post on the bottom of the factory airbox.



Figure G

Refer to Figure G for Steps 11-13

Step 11: Install the rubber guide bushing into the large hole on the inner fender well.

Step 12: Install the new aFe POWER airbox. Make sure to line up the front snorkel to the factory air-inlet that is underneath the front core support.

Step 13: Secure the housing with the stock 10mm screw that was removed in a previous step.



Figure H

Refer to Figure H for Steps 14-15

Step 14: Slide the new aFe POWER air filter into the airbox.

Step 15: Do not tighten clamps at this time, but make sure both clamps are oriented the same direction and that they are easily accessible for tightening later.

**Figure 1****Refer to Figure 1 for Steps 16-18**

Step 16: Prepare the intake tube by installing the new billet aluminum SAE fitting into the threaded insert on the aFe POWER intake tube (see note below). Do not overtighten the SAE fitting.

Step 17: Place the new silicone coupling onto the small end of the new aFe POWER intake tube.

Step 18: Put both clamps in place as shown but do not tighten the clamps at this time. Make sure both clamps are oriented so that they will be accessible after the tube is installed.

NOTE: Apply a stripe of an anaerobic liquid pipe sealant around the male threads leaving the last two threads uncovered. If no liquid sealant is available, wrap Teflon tape 1-1/2 turns in a clockwise direction, viewed from the pipe end, leaving the last two threads uncovered.



Figure J

Refer to Figure J for Steps 19-21

Step 19: Install the provided rubber grommet into the large hole on the front of the new aFe POWER intake tube.

Step 20: Install the provided adaptor for the temperature sensor. (not orientation dependent)

Step 21: Install your factory temperature sensor into the billet adaptor and turn the sensor 1/4 turn clockwise to lock it into place. The small plastic tab on the temp sensor will lock over the small hump on the adaptor when installed correctly.

**Figure K****Refer to Figure K for Step 22**

Step 22: Install the intake tube into the vehicle. It is best to install the filter end of the intake tube first, and then install the turbo end of the intake tube. Make sure that all clamps are loose during this step to insure ease of install.



Figure L

Refer to Figure L for Steps 23-24

Step 23: Plug in the CCV into the new billet aluminum SAE fitting. It will make a clicking sound when it is locked on. You may use silicone spray or WD-40 on the O-Ring and/or the fitting to allow this connection to lock on easier.

Step 24: Reconnect the large rubber bypass hose to the new aFe POWER intake tube and secure it with the stock spring clamp that was removed in a previous step.



Figure M

Refer to Figure M for Steps 25-26

Step 25: Tighten all clamps at this time.

Step 26: Plug in temperature sensor. Check that all of the components are tight and secure. Your installation is now complete. Thank you for choosing aFe POWER!

NOTE: Check all bolts, clamps, and connectors after 100-200 miles.

Page left blank intentionally



Pro DRY S Air Filter



P/N: 21-91062

Pro 5R Air Filter



P/N: 24-91062

SCORCHER PRO Tune



P/N: 77-33010

SCORCHER GT Module



P/N: 77-43021

Pro DRY S Restore Kit



P/N: 90-59999

Blue Squeeze Restore Kit



P/N: 90-50501

aFe Control Sway Bars



P/N: 440-301001-N

aFe Control Coilovers



P/N: 430-301001-N

aFe Control Lowering Springs



P/N: 410-301002-N

Intercooler Tubes



P/N: 46-20254-B

Twisted Steel Headers



P/N: 48-33017-HC (Street)
48-33017-HN (Race)

Exhaust Cat-Back



P/N: 49-33084-B (Blk Tip)
49-33084-P (Pol Tip)

To purchase any of the items above, view airflow charts, dyno graphs, photos, and video; please go to aFepower.com.

Warranty

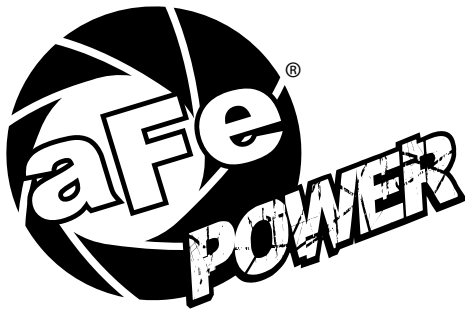
General Terms:

- aFe warrants their products to be free from manufacturer's defects due to workmanship and material.
- This warranty applies only to the original purchaser of the product and is non-transferrable.
- Proof of purchase of the aFe product is required for all warranty claims.
- Warranty is valid provided aFe instructions for installation and/or cleaning were properly followed.
- Proper maintenance with regular inspections of product is required to insure warranty coverage.
- Damage due to improper installation, abuse, unauthorized repair or alteration is not warranted.
- Incidental or consequential damages or cost, including installation and removal of part, incurred due to failure of aFe product is not covered under this warranty.
- All warranty is limited to the repair and/or replacement of the aFe part. To request Return Goods Authorization ("RGA"), email RGA@afepower.com or call (951)493-7100. Upon receipt of the RGA, you must return the product to the address provided in the RGA, freight prepaid and accompanied with a dated proof of purchase and the RGA. Upon receipt of the defective product and upon verification of proof of purchase, aFe will either repair or replace the defective product within a reasonable time, not to exceed thirty days.

Product Category	P/N Prefix	Warranty duration
Direct OE Replacement Filters	10, 11, 30, 31, 71, 73	Life of the vehicle
Racing Filters	18	1 year
Universal	21, 24, 72, TF	2 years
Air Intake Systems	50, 51, 52, 53, 54, 55, 56, 57, 58, 75	2 years
Exhaust Systems	49	2 years
Intercoolers & Intercooler Tubes	46-2	2 years
Intake Manifolds	46-1	2 years
Differential Cover	46-7	Life of the vehicle
Exhaust Manifolds	46	2 years
Throttle Body Spacers	46-3	2 years
Turbochargers	46-6	2 years*
Fluid Filters	44	90 days
Pre-Filters	28	2 years
Heavy Duty OE Replacement	70	2 years
PowerSports OE Replacement	81, 87	2 years
PowerSports Intake Systems	85	2 years

No other warranty expressed or implied applies nor is any person or advanced FLOW engineering authorized to assume any other warranty. Some States do not allow the exclusion or limitation of incidental or consequential damages or do not allow limitations on how long an implied warranty lasts, so the above limitations or exclusions may not apply to you. This warranty gives you specific legal rights, and you may also have other rights which vary from State to State.

*See turbocharger warranty for more info



advanced FLOW engineering, inc.
252 Granite Street Corona, CA 92879
TEL: 951.493.7100 TECH: 951.493.7134
E-Mail: Tech@aFepower.com