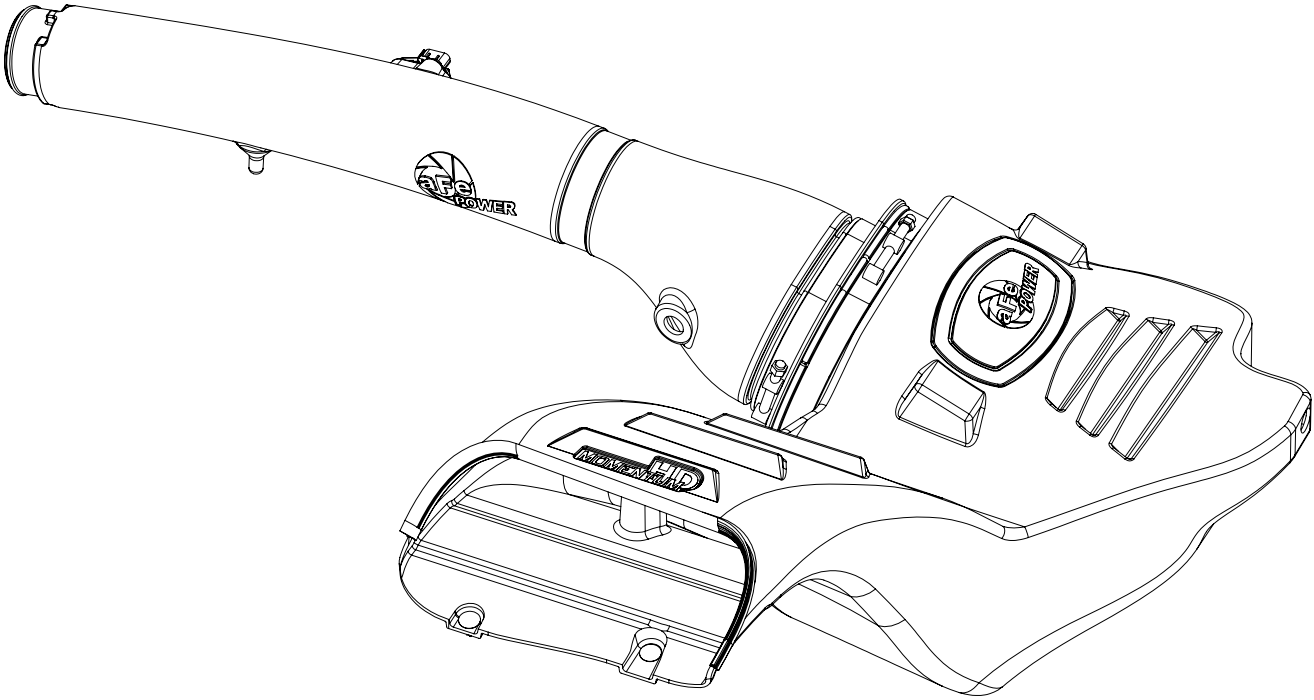


HD
MOMENTUM™



advanced FLOW engineering Momentum HD Cold Air Intake System

Instruction Manual P/N: 50-70023D / 50-70023T

Make: **Ford** Model: **F-150** Year: **2018-2019** Engine: **V6-3.0L (td) Power Stroke**



- Please read the entire instruction manual before proceeding.
- Ensure all components listed are present.
- If you are missing any of the components, call customer support at 951-493-7100.
- Ensure you have all necessary tools before proceeding.
- Do not attempt to work on your vehicle when the engine is hot.
- Retain factory parts for future use.

Label	Qty.	Description	Part Number
A1	1	Air Filter (Pro DRY S)	21-91061
A2	1	Air Filter (Pro 10R)	20-91061
B	1	Tube	05-5070023B1
C	1	Housing	05-5070023B2
D	1	Plug, Silicone	05-01482
E	1	Clamp, T-bolt (8-5/16" - 8-5/8")	03-50267
F	2	Screw, Torx: M4	03-50491
G	2	Retainer Clip: 9/32"	03-50616
H	1	Seal, Trim: 7/16" (16" inches)	05-00072
I	1	Harness, MAF Extension	05-70037
J	2	Ties, Nylon Cable	05-60167

Installation will require the following tools:

flat head screwdriver, panel popper tool, 7mm, 8mm and 13mm socket or driver and diagonal cutters.

Note: Legal in California for use on race vehicles only. The use of this device on vehicles used on public streets or highways is strictly prohibited in California and others states that have adopted California emission regulations.

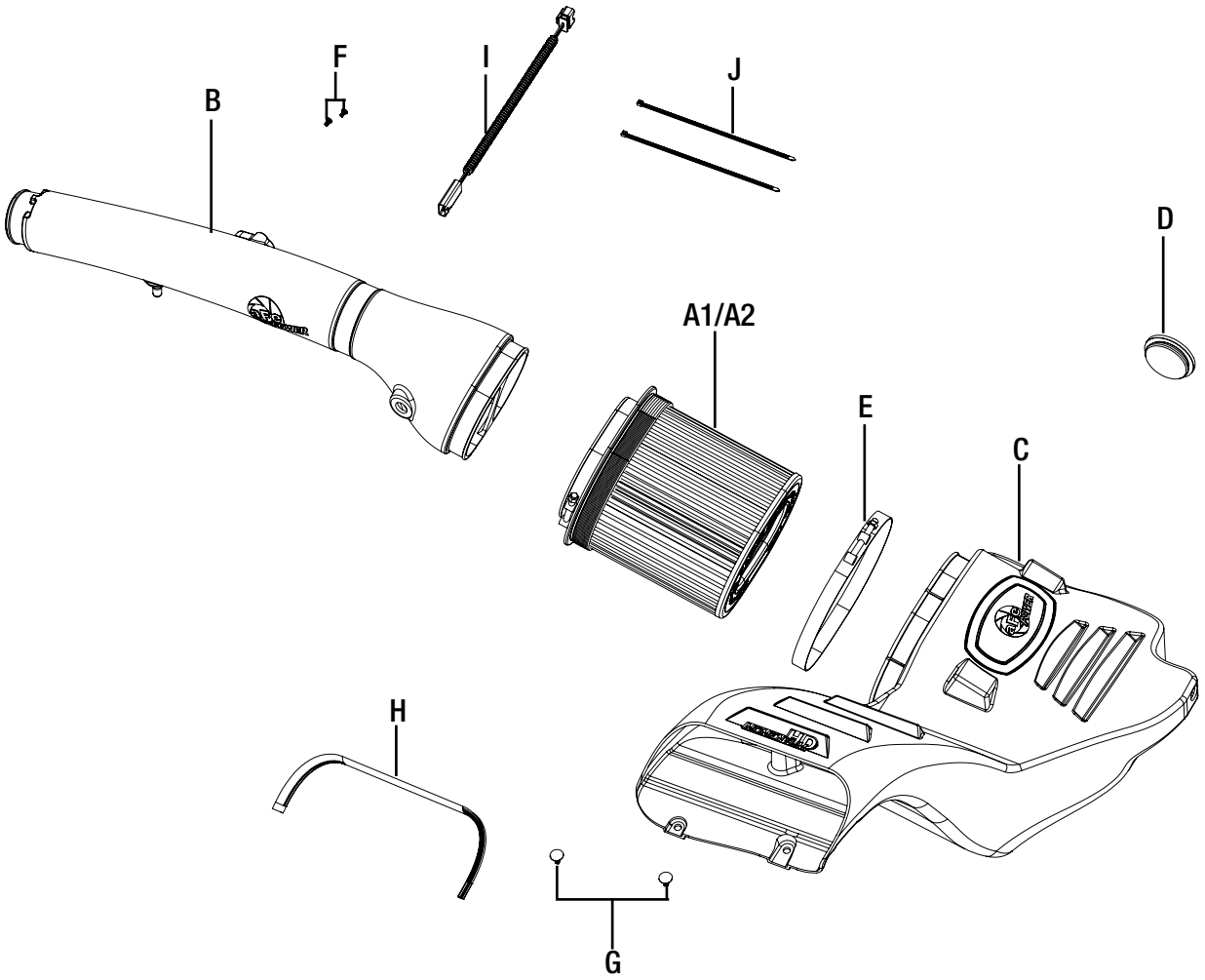




Figure A

Refer to Figure A for Steps 1-3

- Step 1: Disconnect the negative battery terminal before proceeding with the installation.
- Step 2: Disconnect the Mass Air Flow (MAF) sensor wire harness by pulling the red locking tab out then pressing down on the plug retaining tab and pulling on the plug itself.
- Step 3: Using a flat-head screwdriver, unclip the wire harness strap on the intake tube. Retain the strap because it will be reinstalled on the aFe POWER tube.



Refer to Figure B for Steps 4-6

Step 4: Untighten the clamps on the factory air box and on the factory intake tube connecting to the turbo inlet tube.

Step 5: Unclip the two latches securing the top of the factory housing to the bottom of the housing.

Step 6: Lift and remove the top half of the factory air box. Disconnect it from the air intake tube.



Refer to Figure C for Step 7

Step 7: Remove the factory air intake tube out of the vehicle by pulling it out of the grommet. Make sure the grommet stays in place.

REMOVAL



Figure D

Refer to Figure D for Steps 8-10

Step 8: Using a flathead screwdriver, remove the plastic rivets holding the factory air box. First pop the center up to unlock the rivet, then remove the complete rivet.

Step 9: Remove the screw securing the factory air box to the fender using a 13mm socket or wrench. This screw will be reused to secure the aFe POWER housing.

Step 10: Disconnect the harness attached to the back of the factory air box with a panel popper.



Figure E

Refer to Figure E for Step 11

Step 11: Pull the factory air box out of the vehicle.

**Figure F****Refer to Figure F for Steps 12-13**

Step 12: Transfer the grommet and metal sleeve from the factory air box to the hole on the aFe POWER housing. Install the metal sleeve from the inside of the housing.

Step 13: Install the furnished seal trim on the top edge of the aFe POWER housing.



Refer to Figure G for Steps 14-16

- Step 14: Install the aFe POWER housing into the vehicle by pushing it into the factory grommets.
- Step 15: Secure it to the fender by installing the screw removed at step 9 inside of the aFe POWER housing.
- Step 16: Secure the inlet part of the housing with the furnished Christmas tree rivets.



Figure H

Refer to Figure H for Steps 17-18

Step 17: Install the T-bolt clamp on the oval opening of the aFe POWER housing. Do not tighten yet.

Step 18: Slide the aFe POWER air filter into the housing.



Figure I

Refer to Figure I for Steps 19-20

- Step 19: Transfer the MAF sensor from the factory housing to the aFe POWER tube. Secure it using the provided black screws.
- Step 20: Transfer the grommet and filter minder from the factory housing to the hole on the aFe POWER tube.



Figure J

Refer to Figure J for Steps 21-22

Step 21: Install the aFe POWER tube in the vehicle by pushing it first into the turbo inlet tube then into the filter. Push the peg of the tube into the factory grommet.

Step 22: Align the tube correctly then tighten all clamps.



Figure K

Refer to Figure K for Step 23

Step 23: Reinstall the wire harness strap around the aFe POWER tube.



Figure L

Refer to Figure L for Steps 24-25

Step 24: Connect the furnished MAF extension harness to the factory harness then to the MAF sensor.

Step 25: Secure the harness into the holes on the aFe POWER housing. Use the provided cable ties to secure the extension harness away from any moving part or hot surface.



Refer to Figure M for Step 26

Step 26: The kit includes an optional plug to close off the back auxiliary air inlet. Install the plug if you wish to close off the back auxiliary air inlet and only capture cold air from the front of the truck.

- Without the plug installed, the aFe POWER intake will capture the maximum air available. More airflow offers more power. Yet some of this air is picked up from inside the engine compartment and could be warmer air. Warmer air will affect the performance of the vehicle.
- The plug installed on the housing will block off any hot engine air entering the housing and make sure the coolest air available is directed into the engine. It will also reduce the noise of the intake.



Figure N

Refer to Figure N for Steps 27-28

Step 27: Reconnect the negative battery terminal.

Step 28: Verify all clamps and screws are secure. Your installation is now complete. Thank you for choosing aFe POWER!

NOTE: Check all bolts, clamps, and connectors after 100-200 miles.



Pro DRY S Air Filter



P/N: 21-91061

Pro 10R Air Filter



P/N: 20-91061

Pro-GUARD 7 Air Filter



P/N: 72-91061

Pre-Filter



P/N: 28-10283

Rear Differential Cover



P/N: 46-70152-WL

DPF-Back Exhaust System



P/N: 49-43106-B (Blk. Tip)
49-43106-P (Pol. Tip)

Side-Exit Exhaust System



P/N: 49-43108-B (Blk. Tips)
49-43108-P (Pol. Tips)

SCORCHER PRO Tune



P/N: 77-33014

SCORCHER BLUE Module



P/N: 77-83028

Intercooler w/ Tubes



P/N: 46-20362-B

Intercooler Tubes



P/N: 46-20364-B

Sprint Booster V3



P/N: 77-13001

To purchase any of the items above, view airflow charts, dyno graphs, photos, and video; please go to aFepower.com.

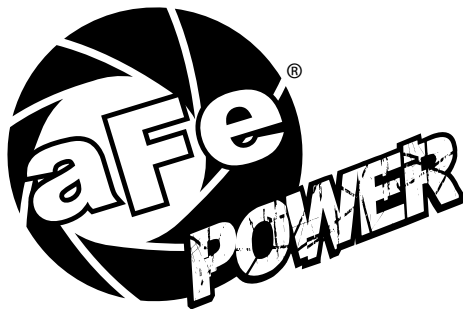
Warranty

General Terms:

- aFe warrants their products to be free from manufacturer's defects due to workmanship and material.
- This warranty applies only to the original purchaser of the product and is nontransferable.
- Proof of purchase of the aFe product is required for all warranty claims.
- Warranty is valid provided aFe instructions for installation and/or cleaning were properly followed.
- Proper maintenance with regular inspections of product is required to insure warranty coverage.
- Damage due to improper installation, abuse, unauthorized repair or alteration is not warranted.
- Incidental or consequential damages or cost, including installation and removal of part, incurred due to failure of aFe product is not covered under this warranty.
- All warranty is limited to the repair and/or replacement of the aFe part. To request Return Goods Authorization ("RGA"), email RGA@afepower.com or call (951)493-7100. Upon receipt of the RGA, you must return the product to the address provided in the RGA, freight prepaid and accompanied with a dated proof of purchase and the RGA. Upon receipt of the defective product and upon verification of proof of purchase, aFe will either repair or replace the defective product within a reasonable time, not to exceed thirty days.

Product Category	P/N Prefix	Warranty duration
Direct OE Replacement Filters	10, 11, 30, 31, 71, 73	Life of the vehicle
Racing Filters	18	1 year
Universal	21, 23, 24, 72	2 years
Air Intake Systems	50, 51, 53, 54, 55, 56, 58, 75	2 years
Exhaust Systems	49	2 years
Intercoolers & Intercooler Tubes	46-2	2 years
Intake Manifolds	46-1	2 years
Differential Cover	46-7	Life of the vehicle
Exhaust Manifolds	46	2 years
Throttle Body Spacers	46-3	2 years
Fluid Filters	44	90 days
Pre-Filters	28	2 years
Heavy Duty OE Replacement	70	2 years
PowerSports OE Replacement	81, 87	2 years
PowerSports Intake Systems	85	2 years

No other warranty expressed or implied applies nor is any person or advanced FLOW engineering authorized to assume any other warranty. Some States do not allow the exclusion or limitation of incidental or consequential damages or do not allow limitations on how long an implied warranty lasts, so the above limitations or exclusions may not apply to you. This warranty gives you specific legal rights, and you may also have other rights which vary from State to State.



advanced FLOW engineering, inc.

252 Granite Street Corona, CA 92879

TEL: 951.493.7100 • TECH: 951.493.7134

E-Mail: Tech@aFepower.com