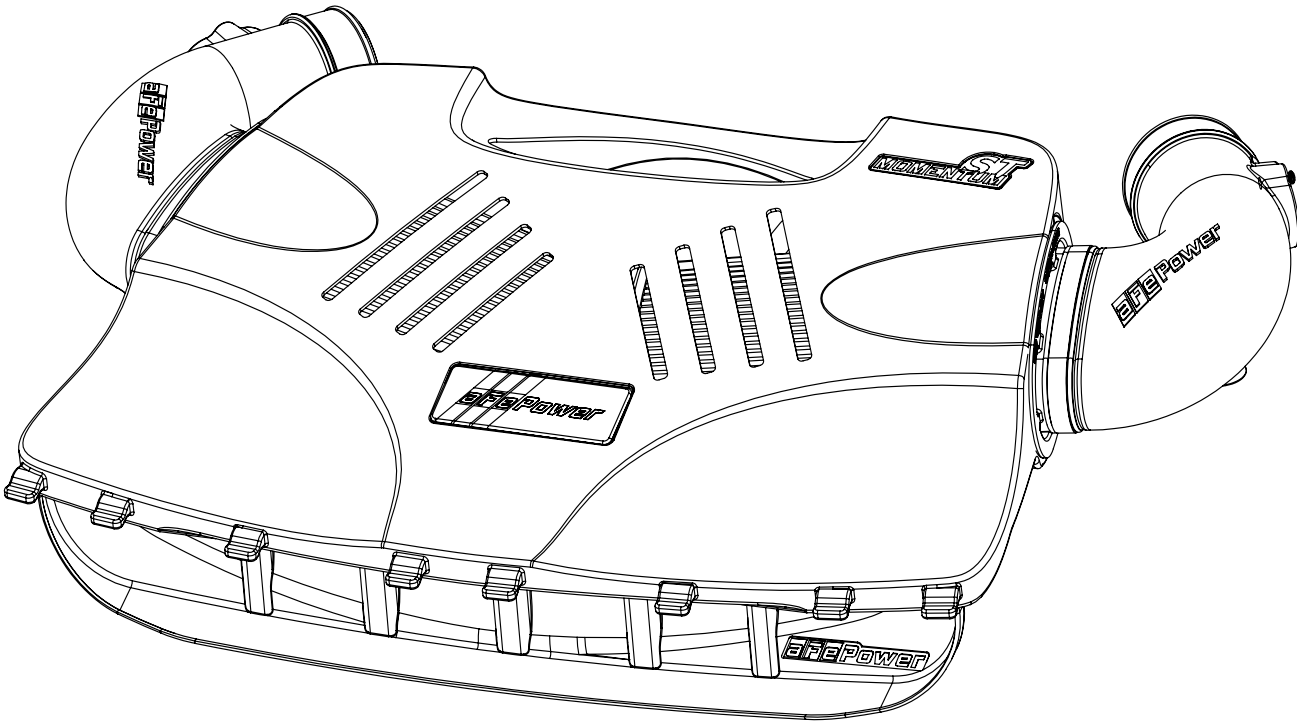


ST
MOMENTUM™



advanced FLOW engineering Momentum ST Cold Air Intake System

Instruction Manual P/N: 50-40045D / 50-40045R

Make: **BMW**

Model: **X5 M (F85)**

Year: **2015-2019**

Engine: **V8-4.4L (tt) S63**

Make: **BMW**

Model: **X6 M (F86)**

Year: **2015-2019**

Engine: **V8-4.4L (tt) S63**



- Please read the entire instruction manual before proceeding.
- Ensure all components listed are present.
- If you are missing any of the components, call customer support at 951-493-7100.
- Ensure you have all necessary tools before proceeding.
- Do not attempt to work on your vehicle when the engine is hot.
- Disconnect the negative battery terminal before proceeding.
- Retain factory parts for future use.

Label	Qty.	Description	Part Number
A1	1	Air Filters (Pro DRY S)	21-90109-MA
A2	1	Air Filters (Pro 5R)	24-90109-MA
B	1	Tube, Driver Side	05-5040045B1
C	1	Tube, Passenger Side	05-5040045B2
D	1	Housing	05-5040045B3
E	3	Mount, Rubber: Housing	03-50534
F	2	Mount, Rubber: Tube	03-50620
G	4	Screw, Torx: M4	03-50490

Installation will require the following tools:

Flat head screwdriver, 6mm and 8mm nut drivers or sockets T20, and T25 torx driver.

Emissions Disclaimer: This product is not currently CARB exempt and is not available for purchase in California or for use on any vehicle registered with the California Department of Motor Vehicles.

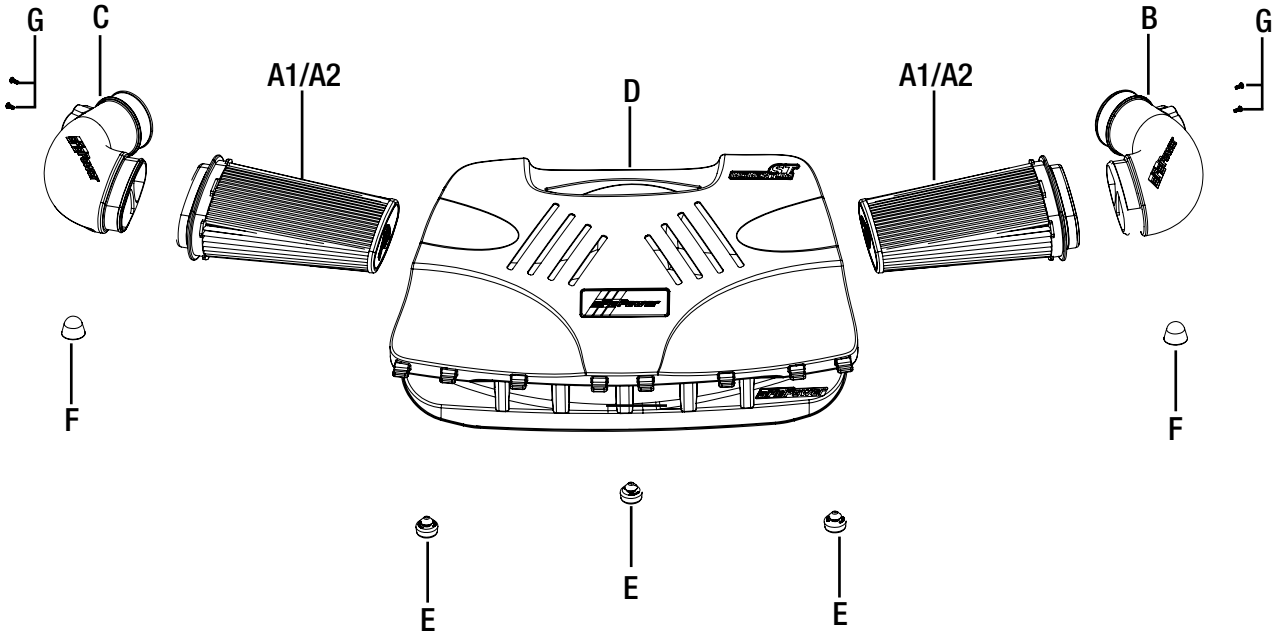




Figure A

Refer to Figure A for Step 1

Step 1: Remove the fresh air duct from the front of the factory airbox, pull upward on the top corners of the duct to release it from the grommets.

**Figure B****Refer to Figure B for Steps 2-4**

- Step 2: Disconnect the Mass Air Flow (MAF) sensors from the driver and passenger sides of the airbox.
- Step 3: Loosen the 6mm clamps securing the factory intake tubes and disconnect them from the airbox.
- Step 4: Remove the factory airbox from the vehicle.



Figure C

Refer to Figure C for Step 5

Step 5: Install the three (3) provided grommets into the holes on the aFe POWER airbox.



Refer to Figure D for Steps 6

Step 6: Install the aFe POWER airbox in the vehicle, start by sliding the tabs on the front of the airbox into the radiator support then press the rear of the airbox down on the mounting peg.



Refer to Figure E for Steps 7-8

Step 7: Install the air filters in the airbox. Press until you feel or hear all six (6x) of the tabs seat themselves in the housing. Gently pull on the filters to verify is properly seated.

Step 8: Place the two (2) rubber mounts on the factory mounting pegs. (One on Driver side, One on Passenger side)

**Figure F****Refer to Figure F for Step 9**

Step 9: Transfer the MAF sensors from the factory airbox to the aFe POWER intake tubes and secure them using the provided M4 screws. Make sure to install the driver side sensor on the driver side tube and the passenger side sensor on the passenger side tube.



Figure G

Refer to Figure G for Steps 10-13

Step 10: Install the aFe POWER tubes, by sliding them into the factory intake tube first, then into the air filter.

Step 11: Align tubes and filters then tighten all clamps.

Step 12: Reconnect both MAF sensors.

Step 13: Verify all connection are secured. Your installation is completed. Thank you for choosing aFe POWER!

NOTE: Check all bolts, clamps, and connectors after 100-200 miles.

Page left blank intentionally



Page left blank intentionally

Page left blank intentionally



Pro DRY S Air Filters



P/N: 21-90109-MA

Pro 5R Air Filters



P/N: 24-90109-MA

Pro DRY S Restore Kit



P/N: 90-59999

Blue Squeeze Restore Kit



P/N: 90-50501

SCORCHER Module



P/N: 77-46307

Sprint Booster V3



P/N: 77-16306

Turbo Downpipes



P/N: 48-36321-HC (Street)
48-36321-HN (Race)

Exhaust Cat-Back System



P/N: 49-36342-B (Blk. Tips)
49-36342-P (Pol. Tips)

Warranty

General Terms:

- aFe warrants their products to be free from manufacturer's defects due to workmanship and material.
- This warranty applies only to the original purchaser of the product and is nontransferable.
- Proof of purchase of the aFe product is required for all warranty claims.
- Warranty is valid provided aFe instructions for installation and/or cleaning were properly followed.
- Proper maintenance with regular inspections of product is required to insure warranty coverage.
- Damage due to improper installation, abuse, unauthorized repair or alteration is not warranted.
- Incidental or consequential damages or cost, including installation and removal of part, incurred due to failure of aFe product is not covered under this warranty.
- All warranty is limited to the repair and/or replacement of the aFe part. To request Return Goods Authorization ("RGA"), email RGA@afepower.com or call (951)493-7100. Upon receipt of the RGA, you must return the product to the address provided in the RGA, freight prepaid and accompanied with a dated proof of purchase and the RGA. Upon receipt of the defective product and upon verification of proof of purchase, aFe will either repair or replace the defective product within a reasonable time, not to exceed thirty days.

Product Category	P/N Prefix	Warranty duration
Direct OE Replacement Filters	10, 11, 30, 31, 71, 73	Life of the vehicle
Racing Filters	18	1 year
Universal	21, 23, 24, 72	2 years
Air Intake Systems	50, 51, 53, 54, 55, 56, 57, 75	2 years
Exhaust Systems	49	2 years
Intercoolers & Intercooler Tubes	46-2	2 years
Intake Manifolds	46-1	2 years
Differential Cover	46-7	Life of the vehicle
Exhaust Manifolds	46	2 years
Throttle Body Spacers	46-3	2 years
Fluid Filters	44	90 days
Pre-Filters	28	2 years
Heavy Duty OE Replacement	70	2 years
PowerSports OE Replacement	81, 87	2 years
PowerSports Intake Systems	85	2 years

No other warranty expressed or implied applies nor is any person or advanced FLOW engineering authorized to assume any other warranty. Some States do not allow the exclusion or limitation of incidental or consequential damages or do not allow limitations on how long an implied warranty lasts, so the above limitations or exclusions may not apply to you. This warranty gives you specific legal rights, and you may also have other rights which vary from State to State.



advanced FLOW engineering, inc.
252 Granite Street Corona, CA 92879
TEL: 951.493.7100 • TECH: 951.493.7134
E-Mail: Tech@aFepower.com