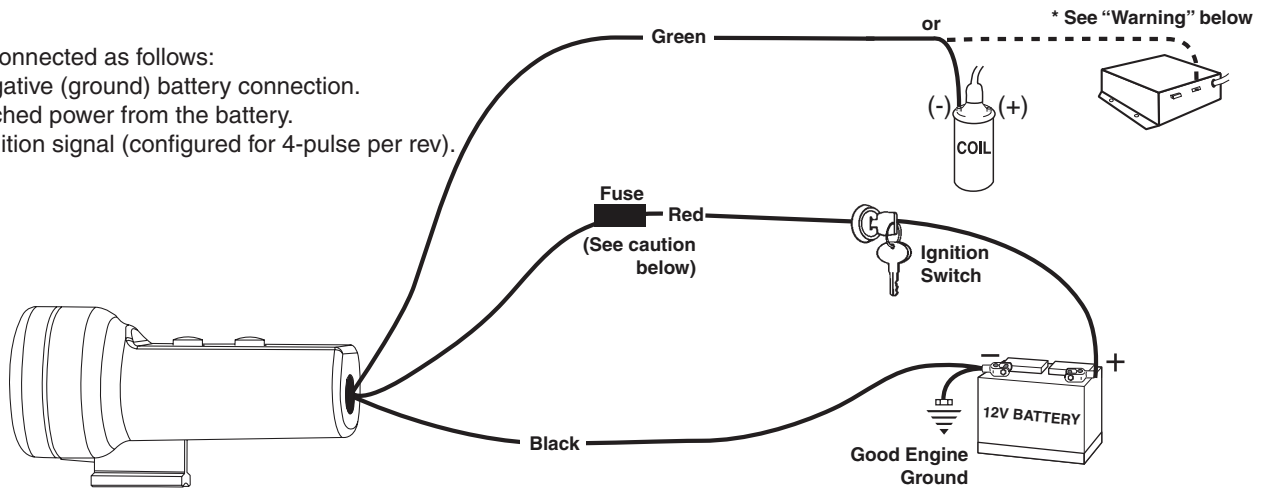


Wiring

The wires are connected as follows:

- Black - Negative (ground) battery connection.
- Red - Switched power from the battery.
- Green - Ignition signal (configured for 4-pulse per rev).



CAUTION!!!

As a safety precaution the RED wire of this product should be fused before connecting it to the positive (+) side of switched power source. We recommend using a 1 Amp, fast-acting/automotive type fuse inline with the RED wire of our product.

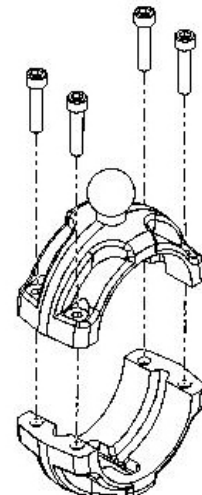
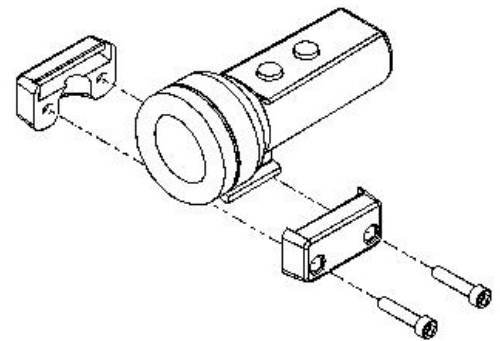
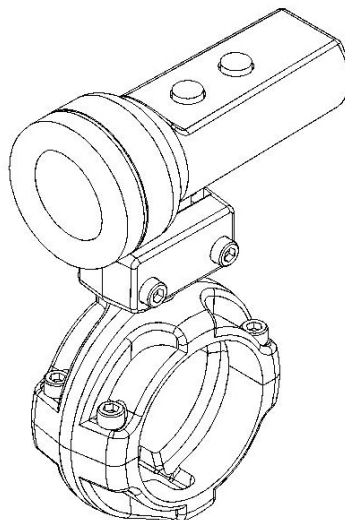
WARNING

Warranty will be void if connected to coil when using an aftermarket ignition box such as, but not limited to products from the following manufacturers: MSD, Crane, Jacobs, Mallory, Holley, Etc.. Prior to installation of your tachometer, check with the ignition box manufacturer for recommended tachometer signal location.

* See autometer.com/tech_installation.aspx for specific vehicle information.

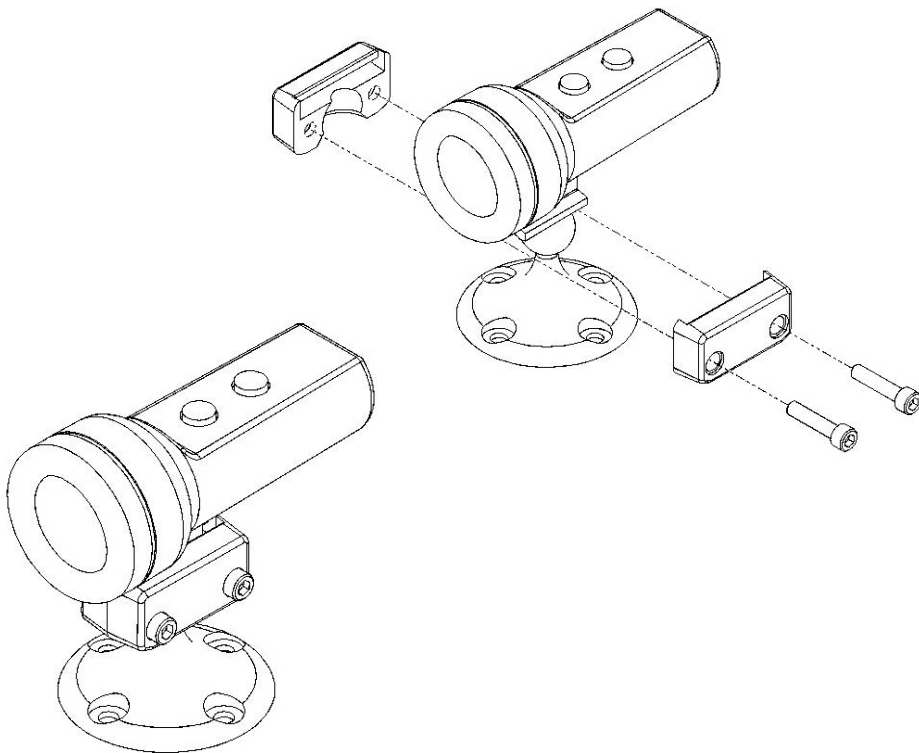
Roll Pod Installation - (for 1-3/4" Roll Bar)

1. Remove all pieces from packaging.
2. Install two #8-32 x 3/4" Allen screws into the clamps, tighten until snug.
3. Assemble the two Roll Bar Bracket Clamps in the desired mounting position.
4. Install four #8-32 x 3/4" Allen screws until the Bracket Clamps fit snug, do not fully tighten.
5. Install and position the Shift Light in the desired position. Position the Shift Light so it does not block the view of the driver.
6. Once the position has been decided, tighten the screws on the roll bar bracket clamp and Shift Light clamp to 15 in./lbs.



Pedestal Pod Installation

1. Remove all pieces from packaging.
2. Install two #8-32 x 3/4" Allen screws into the clamps, tighten until snug.
3. Position the Pedestal Mount on a flat surface in the desired mounting location. Using the four #8 x 5/8" self tapping screws, attach the pedestal to the surface.
4. Install and position the shift light in the desired position. Position the shift light so it does not block the view of the driver.
5. Once the position has been decided, tighten the screws on the Clamp to 15 in./lbs.



Button Function

Capture RPM – requires the desired RPM input to the green wire

- Press and hold the front button (closest to the light display) to capture the shift point RPM value (solid red illumination).
- Press and hold the back button (closest to wires) to capture the over-warn shift point RPM value (blinking red illumination).

Dimming

- Momentarily press the front button to increase brightness.
- Momentarily press the back button to decrease brightness.

Note: All changes made are stored in the shift lights permanent memory

SERVICE

For service send your product to Auto Meter in a well packed shipping carton. Please include a note explaining what the problem is along with your phone number. If you are sending product back for Warranty adjustment, you must include a copy (or original) of your sales receipt from the place of purchase.

12 MONTH LIMITED WARRANTY

Auto Meter Products, Inc. warrants to the consumer that all Auto Meter High Performance products will be free from defects in material and workmanship for a period of twelve (12) months from date of the original purchase. Products that fail within this 12 month warranty period will be repaired or replaced at Auto Meter's option to the consumer, when it is determined by Auto Meter Products, Inc. that the product failed due to defects in material or workmanship. This warranty is limited to the repair or replacement of parts in the Auto Meter instruments. In no event shall this warranty exceed the original purchase price of the Auto Meter instruments nor shall Auto Meter Products, Inc. be responsible for special, incidental or consequential damages or costs incurred due to the failure of this product. Warranty claims to Auto Meter must be transportation prepaid and accompanied with dated proof of purchase. This warranty applies only to the original purchaser of product and is non-transferable. All implied warranties shall be limited in duration to the said 12 month warranty period. Breaking the instrument seal, improper use or installation, accident, water damage, abuse, unauthorized repairs or alterations voids this warranty. Auto Meter Products, Inc. disclaims any liability for consequential damages due to breach of any written or implied warranty on all products manufactured by Auto Meter.

FOR SERVICE SEND TO: AUTO METER PRODUCTS, INC. 413 W. Elm St., Sycamore, IL 60178 USA (866) 248-6357
Email us at service@autometer.com