

advanced FLOW engineering Magnum Force Dynamic Air Scoop

Instruction Manual P/N: 54-13015S/SL/SR

Make: Ford Model: Mustang Year: 2015-2020 Engine: I4-2.3L(t)/V6-3.7L/V8-5.0L (GT only)



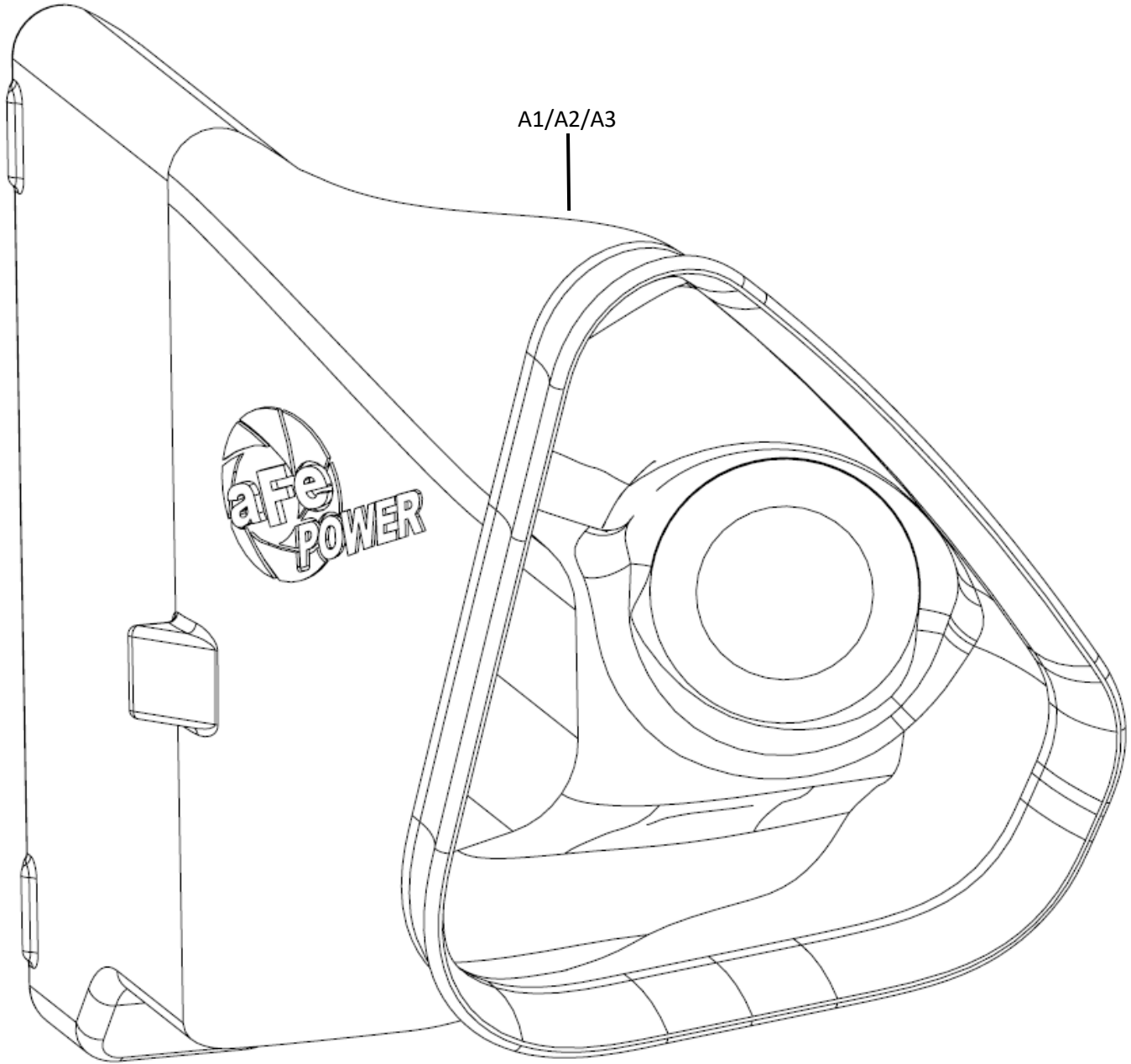
- Please read the entire instruction manual before proceeding.
- Ensure all components listed are present.
- For technical support please call 951-493-7185.
- Ensure you have all necessary tools before proceeding.
- Do not attempt to work on your vehicle when the engine is hot.
- Retain factory parts for future use.

Label	Qty.	Description	Part Number
A1	1	Scoop (Black)	05-5413015B3
A2	1	Scoop (Blue)	05-5413015L3
A3	1	Scoop (Red)	05-5413015R3

Installation will require the following tools:

Flathead screwdriver (or panel clip removal tool) and 5.5mm/7mm/8mm/10mm nut drivers

Emissions Disclaimer: This product is not currently CARB exempt and is not available for purchase in California or for use on any vehicle registered with the California Department of Motor Vehicles.



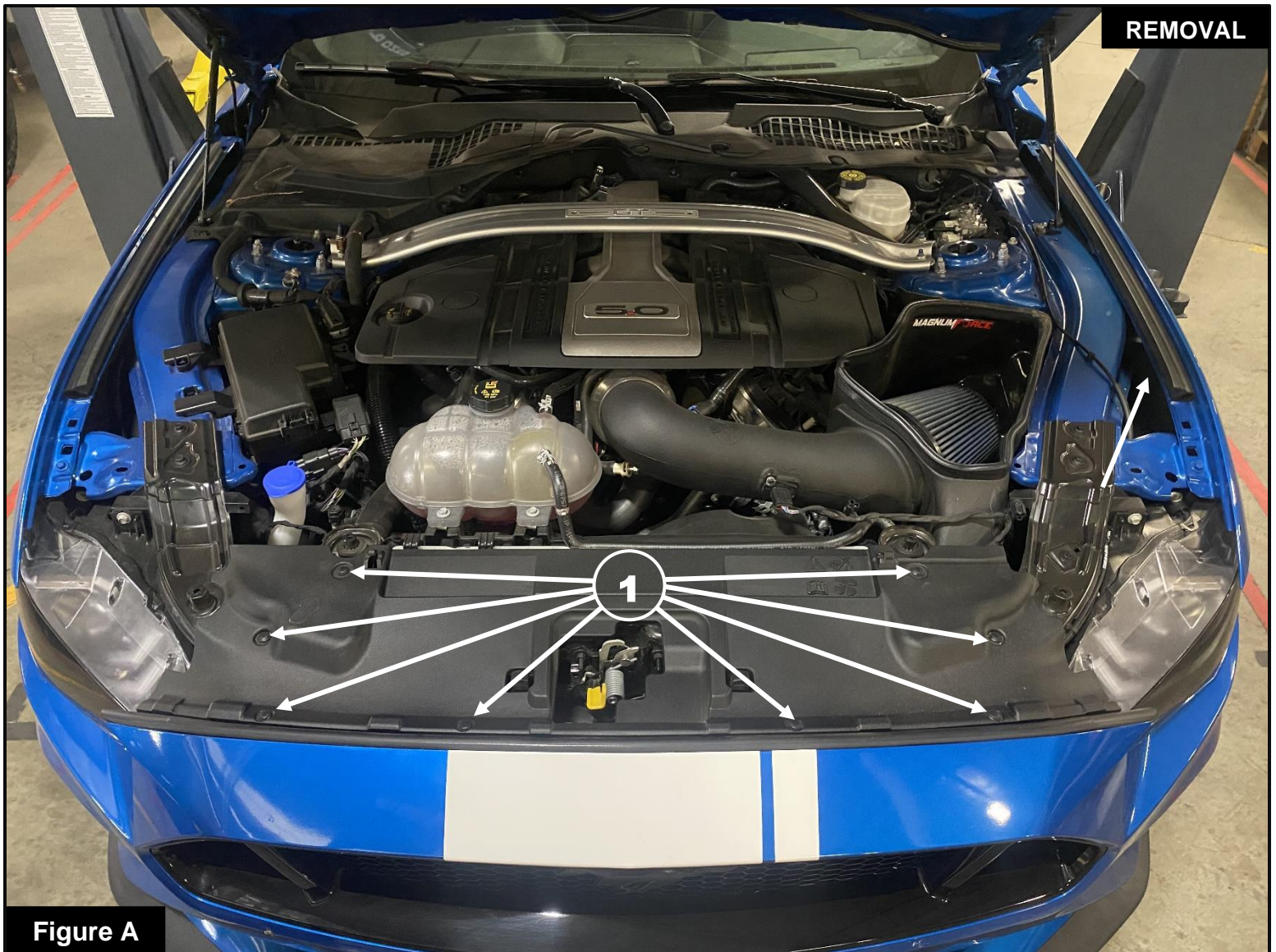


Figure A

Refer to Figure A for Steps 1-2

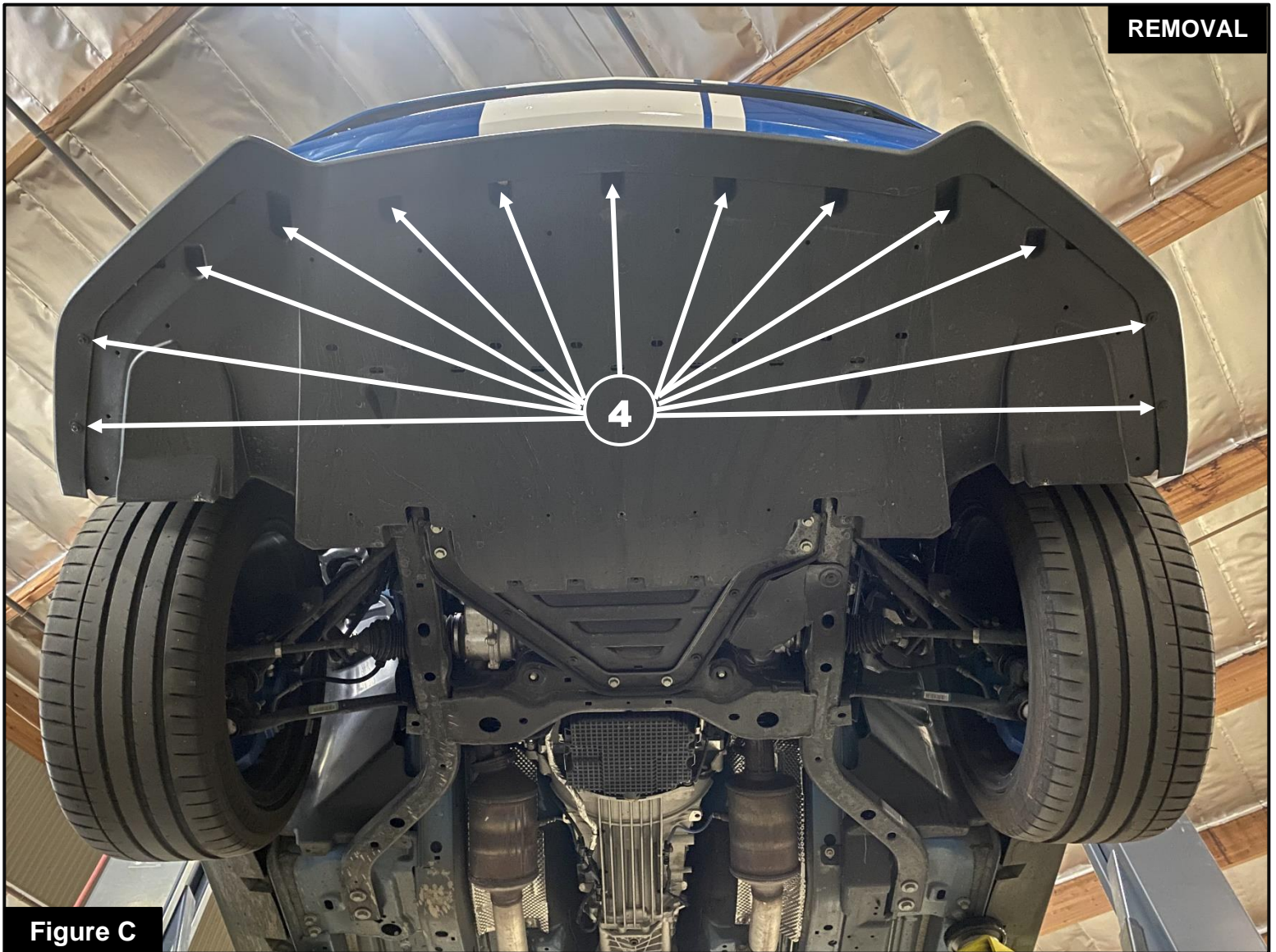
- Step 1: Open the vehicle's hood and locate the 8 plastic retaining clips ① that hold on the plastic cover.
- Step 2: Using a flat head screwdriver or panel clip removal tool, remove the 8 plastic retaining clips and remove the plastic cover.

**Figure B****Refer to Figure B for Steps 3-5**

Step 3: With the plastic cover removed, locate the six screws ② holding on the upper portion of the bumper.

Step 4: Using an 8mm nut driver, remove the six screws.

Step 5: Using a 5.5mm nut driver, remove the two screws ③ on the outer portions of the bumper.



Refer to Figure C for Steps 6-7

Step 6: Underneath the front bumper, locate the thirteen screws ④ to be removed.

Step 7: Using a 7mm nut driver, remove the thirteen screws.

**Figure D****Refer to Figure D for Steps 8-10**

Step 8: Starting with the driver's side wheel well, locate the 3 plastic clips ⑤.

Step 9: Using your finger, push on the center of the plastic clip to release the two upper clips. Use a flathead screwdriver or panel clip removal tool to remove the bottom clip.

Step 10: Move to the passenger side and perform steps 8 and 9.



Refer to Figure E for Steps 11-14

Step 11: Pull back on the fender liner and locate the two nuts ⑥.

***NOTE:** 2015-2017 models have a screw instead of two nuts on the inside of the fender.

Step 12: Using a 10mm nut driver, remove the nuts on the driver and passenger sides.

***NOTE:** For 2015-2017 models, use a 7mm nut driver and remove 1 screw per side.

Step 13: Un-plug the fog lights and turn signals before completely removing the bumper from the vehicle.

Step 14: Remove the bumper from the vehicle and set aside.



Figure E

Refer to Figure E for Steps 15-18

Step 15: Locate the air inlet ⑦.

Step 16: Install your aFe POWER Dynamic Air Scoop by inserting it into the air inlet. Push inward until you feel the locking tabs snap into place.

Step 17: Re-install the bumper following the steps in the reverse order.

Step 18: Your installation is now complete.

NOTE: Check all fasteners and connectors after 100-200 miles.



Pro DRY S Air Filter



P/N: 31-10255

Pro 5R Air Filter



P/N: 30-10255

Pro DRY S Restore Kit



P/N: 90-59999

Blue Squeeze Restore Kit



P/N: 90-50501

Lowering Springs



P/N: 410-301001-N

aFe Control Sway Bar Set



P/N: 440-301001-N

Sprint Booster V3



P/N: 77-13005

Pro GUARD HD Oil Filter



P/N: 44-LF038

Throttle Body Spacer



P/N: 46-33022

aFe Fender Cover



P/N: 40-10230

Mach Force Axle Back Exhaust



P/N: 49-43105-C (Crb. Tips)
49-43105-B (Blk. Tips)
49-43105-P (Pol. Tips)

Mach Force Cat-Back Exhaust



P/N: 49-33087-B (Blk. Tips)
49-33087-P (Pol. Tips)

To purchase any of the items above, view airflow charts, dyno graphs, photos, and video; please go to aFepower.com.



Warranty

General Terms:

- aFe warrants their products to be free from manufacturer's defects due to workmanship and material.
- This warranty applies only to the original purchaser of the product and is non-transferrable.
- Proof of purchase of the aFe product is required for all warranty claims.
- Warranty is valid provided aFe instructions for installation and/or cleaning were properly followed.
- Proper maintenance with regular inspections of product is required to insure warranty coverage.
- Damage due to improper installation, abuse, unauthorized repair or alteration is not warranted.
- Incidental or consequential damages or cost, including installation and removal of part, incurred due to failure of aFe product is not covered under this warranty.
- All warranty is limited to the repair and/or replacement of the aFe part. To request Return Goods Authorization ("RGA"), email RGA@afepower.com or call (951)493-7100. Upon receipt of the RGA, you must return the product to the address provided in the RGA, freight prepaid and accompanied with a dated proof of purchase and the RGA. Upon receipt of the defective product and upon verification of proof of purchase, aFe will either repair or replace the defective product within a reasonable time, not to exceed thirty days.

Product Category	P/N Prefix	Warranty duration
Direct OE Replacement Filters	10, 11, 30, 31, 71, 73	Life of the vehicle
Racing Filters	18	1 year
Universal	20, 21, 23, 24, 72, TF	2 years
Air Intake Systems	50, 51, 53, 54, 55, 56, 57, 58, 75, TR, TA, TL, TM	2 years
Exhaust Systems	49	2 years
Intercoolers & Intercooler Tubes	46-2	2 years
Intake Manifolds	46-1	2 years
Differential Cover	46-7	Life of the vehicle
Exhaust Manifolds	46	2 years
Throttle Body Spacers	46-3	2 years
Turbochargers	46-6	2 years*
Fluid Filters	44	90 days
Pre-Filters	28	2 years
Heavy Duty OE Replacement	70	2 years
PowerSports OE Replacement	81, 87	2 years
PowerSports Intake Systems	85	2 years

No other warranty expressed or implied applies nor is any person or advanced FLOW engineering authorized to assume any other warranty. Some States do not allow the exclusion or limitation of incidental or consequential damages or do not allow limitations on how long an implied warranty lasts, so the above limitations or exclusions may not apply to you. This warranty gives you specific legal rights, and you may also have other rights which vary from State to State.

*See turbocharger warranty for more info



advanced FLOW engineering, inc.

252 Granite Street Corona, CA 92879
TEL: 951.493.7100 • TECH: 951.493.7134
E-Mail: Tech@aFepower.com

P/N: 06-86754