

advanced FLOW engineering

Instruction Manual P/N: TM-1024B-D / TM-1024B-R



Make: **Honda** Model: **Civic** Year: **2016-2020** Engine: **L4-1.5L Turbo**



- Please read the entire instruction manual before proceeding.
- Ensure all components listed are present.
- If you are missing any of the components, call customer support at 951-493-7100.
- Ensure you have all necessary tools before proceeding.
- Do not attempt to work on your vehicle when the engine is hot.
- Disconnect the negative battery terminal before proceeding.
- Retain factory parts for future use.

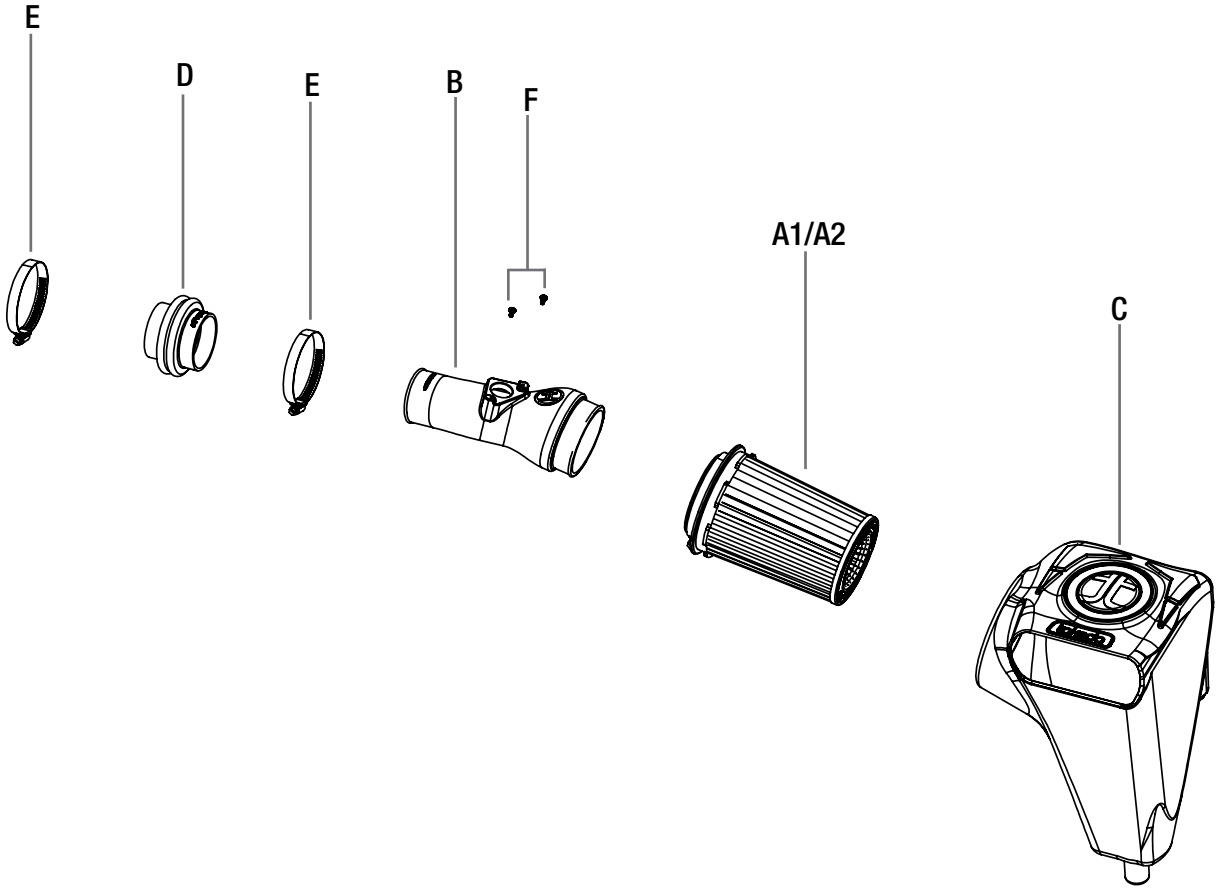
Retain factory parts for future use.

Label	Qty.	Description	Part Number
A1	1	Air Filter (Pro DRY S)	21-91103 (Grey Media)
A2	1	Air Filter (Pro 5R)	24-91103 (Blue Media)
B	1	Tube	05-T1024B1
C	1	Housing	05-T1024B2
D	1	Coupling, Silicone	05-01410
E	2	Clamp, #044	03-50019
F	2	Screw, Torx: M4	03-50491

Installation will require the following tools:

Flat head screw driver, ratchet, 10mm socket, extension, 8mm nut driver

Emissions Disclaimer: This product is not currently CARB exempt and is not available for purchase in California or for use on any vehicle registered with the California Department of Motor Vehicles.



**Figure A****Refer to Figure A for Steps 1-4**

Step 1: Disconnect the MAF sensor harness, with a small flat head screwdriver unclip the harness holder and release it from the air box.

Step 2: Loosen the clamp on the factory intake tube connecting to the turbo inlet tube.

Step 3: Remove the two 10mm bolts retaining the factory housing.

Step 4: With an upward motion remove the factory intake system out of the vehicle.



Figure B

Refer to Figure B for Step 5

Step 5: Transfer one of the factory grommets onto the Takeda Housing with the metal insert



Figure C

Refer to Figure C for Steps 6-7

Step 6: Install the Takeda housing into the vehicle assure the factory grommet has not moved from the factory resonator.

Step 7: Secure the housing with one of the factory bolts removed previously.



Figure D

Refer to Figure D for Steps 8-10

Step 8: With a small flat head screwdriver, un-clip the four (x4) tabs and open the wire cover.

Step 9: Re-route the wire harness to add more length.

Step 10: Close the wire cover.



Figure E

Refer to Figure E for Step 11

Step 11: Slide the Takeda air filter into the Takeda housing, assure the filter tabs are locked on the housing.

**Figure F****Refer to Figure F for Steps 12-13**

Step 12: Transfer the MAF sensor from the factory housing to the Takeda intake tube with the supplied screws.

Step 13: Install the reducer coupling onto the Takeda intake tube with clamps, assure the larger opening on the coupling stops on the retain hump. Tighten clamp on tube.

**Figure G****Refer to Figure G for Steps 14-16**

Step 14: Slide the tube into the air filter first then onto the turbo inlet, align tube then tighten clamps.

Step 15: Re-connect MAF sensor harness.

Step 16: Make sure all clamps and connections are secured. Your installation is now completed. Thank you for choosing Takeda USA!

NOTE: Check all bolts, clamps and connectors after 100-200 miles.

Pro DRY S Air Filter



P/N: 21-91103

Pro 5R Air Filter



P/N: 24-91103

Pro DRY S Restore Kit



P/N: TP-7015C

Blue Squeeze Restore Kit



P/N: 90-50501

SCORCHER GT Module



P/N: 77-46601

Turbo Downpipe



P/N: 48-36604-HC (Street)
48-36604-HN (Race)

Rear/Mid Downpipe



P/N: 48-36605

Exhaust Cat-Back



P/N: 49-36615-B (Blk. Tips)
49-36615-P (Pol. Tips)
49-36615-L (Blue Flame)

Intercooler Kit



P/N: 46-20342-R

Intercooler Tubes



P/N: 46-20344-R

Sprint Booster V3



P/N: 77-16604

To purchase any of the items above, view airflow charts, dyno graphs, photos, and video; please go to aFepower.com.



Warranty

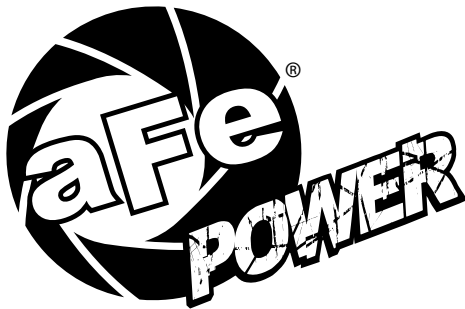
General Terms:

- aFe warrants their products to be free from manufacturer's defects due to workmanship and material.
- This warranty applies only to the original purchaser of the product and is non-transferrable.
- Proof of purchase of the aFe product is required for all warranty claims.
- Warranty is valid provided aFe instructions for installation and/or cleaning were properly followed.
- Proper maintenance with regular inspections of product is required to insure warranty coverage.
- Damage due to improper installation, abuse, unauthorized repair or alteration is not warranted.
- Incidental or consequential damages or cost, including installation and removal of part, incurred due to failure of aFe product is not covered under this warranty.
- All warranty is limited to the repair and/or replacement of the aFe part. To request Return Goods Authorization ("RGA"), email RGA@afepower.com or call (951)493-7100. Upon receipt of the RGA, you must return the product to the address provided in the RGA, freight prepaid and accompanied with a dated proof of purchase and the RGA. Upon receipt of the defective product and upon verification of proof of purchase, aFe will either repair or replace the defective product within a reasonable time, not to exceed thirty days.

Product Category	P/N Prefix	Warranty duration
Direct OE Replacement Filters	10, 11, 30, 31, 71, 73	Life of the vehicle
Racing Filters	18	1 year
Universal	21, 24, 72, TF	2 years
Air Intake Systems	50, 51, 54, 55, 56, 57, 75, TR, TA, TL, TM	2 years
Exhaust Systems	49	2 years
Intercoolers & Intercooler Tubes	46-2	2 years
Intake Manifolds	46-1	2 years
Differential Cover	46-7	Life of the vehicle
Exhaust Manifolds	46	2 years
Throttle Body Spacers	46-3	2 years
Turbochargers	46-6	2 years*
Fluid Filters	44	90 days
Pre-Filters	28	2 years
Heavy Duty OE Replacement	70	2 years
PowerSports OE Replacement	81, 87	2 years
PowerSports Intake Systems	85	2 years

No other warranty expressed or implied applies nor is any person or advanced FLOW engineering authorized to assume any other warranty. Some States do not allow the exclusion or limitation of incidental or consequential damages or do not allow limitations on how long an implied warranty lasts, so the above limitations or exclusions may not apply to you. This warranty gives you specific legal rights, and you may also have other rights which vary from State to State.

*See turbocharger warranty for more info



advanced FLOW engineering, inc.
252 Granite Street Corona, CA 92879
TEL: 951.493.7100 • TECH: 951.493.7134
E-Mail: Tech@aFepower.com