

advanced FLOW engineering

Instruction Manual P/N: TR-2017L-D / TR-2017L-R



Make: **Lexus** Model: **RC F** Year: **2015-2020**  
Make: **Lexus** Model: **GS F** Year: **2016-2020**

Engine: **V8-5.0L**  
Engine: **V8-5.0L**

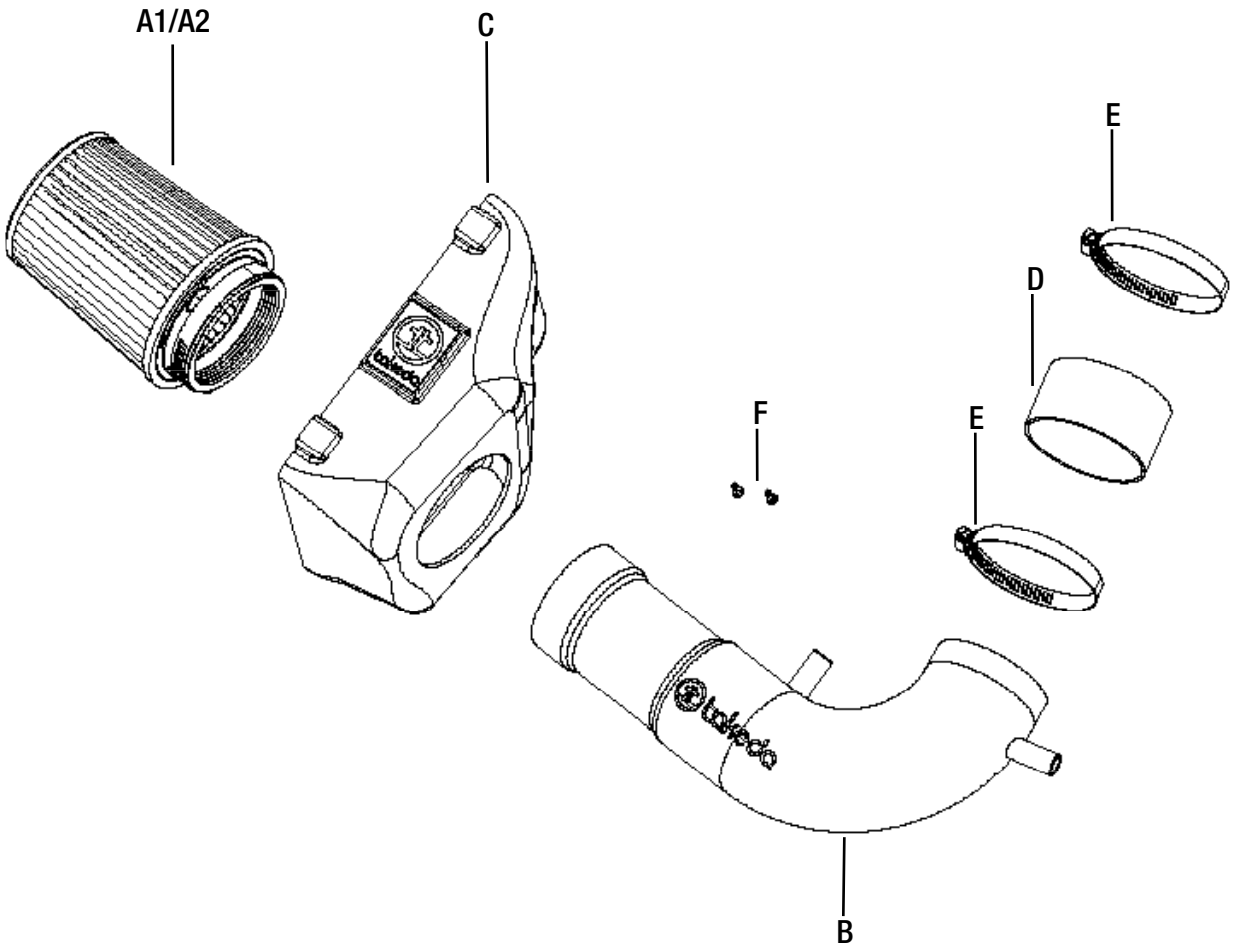


- Please read the entire instruction manual before proceeding.
- Ensure all components listed are present.
- If you are missing any of the components, call customer support at 951-493-7100.
- Ensure you have all necessary tools before proceeding.
- Do not attempt to work on your vehicle when the engine is hot.
- Disconnect the negative battery terminal before proceeding.
- Retain factory parts for future use.

Label	Qty.	Description	Part Number
A1	1	Air Filter (Pro DRY S)	TF-9027D
A2	1	Air Filter (Pro 5R)	TF-9027R
B	1	Tube	05-T2017L1
C	1	Housing	05-T2017C2
D	1	Coupling, Silicone Straight	05-01280
E	2	Clamp, 056 (3-1/16" - 4")	03-50009
F	2	Screw, Chs Hd Slotted: M4x.7x8	03-50034

Tools needed: 8mm Nut driver, 10mm Nut Driver, 1/4" Ratchet, 10mm Socket, Flathead Screw Driver, Phillips Screw Driver, Pliers.

Note: Legal in California for use on race vehicles only. The use of this device on vehicles used on public streets or highways is strictly prohibited in California and others states that have adopted California emission regulations.



**Figure A****Refer to Figure A for Steps 1-6**

Step 1: Remove engine cover.

Step 2: Unplug the MAF sensor harness.

Step 3: Disconnect the two crank case hoses off the OE intake tube.

Step 4: Loosen the clamp on the intake tube connecting to the throttle body.

Step 5: Unclip the OE airbox and open it up.

Step 6: Remove the tube, filter and top of the OE airbox out of the vehicle.



Figure B

**Refer to Figure B for Step 7**

Step 7: Pre-install the Takeda air filter through the Takeda housing, assure filter retain groves snap into housing.



Figure C

**Refer to Figure C for Steps 8-9**

Step 8: Install Takeda housing and filter into the remaining part of the OE airbox. Secure it with the clips.

Step 9: Install the coupling onto the throttle body with clamps, do not tighten clamps at this point.



Figure D

**Refer to Figure D for Step 10**

Step 10: Remove the MAF sensor off the OE intake tube and transfer to Takeda intake tube, secure it with the provided hardware.



Figure E

**Refer to Figure E for Steps 11-14**

- Step 11: Loosen the 10mm nuts off the OE engine harness on top of the intake manifold, reroute the OE crank case hose to adjust to the new location of the crank case vents and reconnect crank case hoses.
- Step 12: Slide the Takeda intake tube into the air filter then into the coupling and adjust tube for proper fitment, then tighten all clamps.
- Step 13: Re-tighten the 10mm nuts on the engine harness.
- Step 14: Reconnect MAF sensor harness





Figure F

**Refer to Figure F for Steps 15-16**

Step 15: Re-install Engine cover.

Step 16: Make sure all bolt and clamps are tight. Your installation is now completed.

**NOTE: Check all bolts, clamps and connectors after 100-200 miles.**



Page left blank intentionally

Page left blank intentionally



Page left blank intentionally

Page left blank intentionally



Pro DRY S Air Filter



P/N: TF-9027D

Pro 5R Air Filter



P/N: TF-9027R

Takeda Restore Kit



P/N: TP-7015C

Blue Squeeze Restore Kit



P/N: 90-50501

Oil Filter



P/N: 44-LF015

Takeda Mens T-Shirt



P/N: 40-30332 (M)  
40-30333 (L)  
40-30334 (XL)

Takeda Mascot Decal



P/N: TP-7003D

aFe Gloves



P/N: 40-10148 (M)  
40-10149 (L)  
40-10194 (XL)

To purchase any of the items above, view airflow charts, dyno graphs, photos, and video; please go to [aFepower.com](http://aFepower.com).

# Warranty

## General Terms:

- aFe warrants their products to be free from manufacturer's defects due to workmanship and material.
- This warranty applies only to the original purchaser of the product and is nontransferable.
- Proof of purchase of the aFe product is required for all warranty claims.
- Warranty is valid provided aFe instructions for installation and/or cleaning were properly followed.
- Proper maintenance with regular inspections of product is required to insure warranty coverage.
- Damage due to improper installation, abuse, unauthorized repair or alteration is not warranted.
- Incidental or consequential damages or cost, including installation and removal of part, incurred due to failure of aFe product is not covered under this warranty.
- All warranty is limited to the repair and/or replacement of the aFe part. To request Return Goods Authorization ("RGA"), email [RGA@afepower.com](mailto:RGA@afepower.com) or call (951)493-7100. Upon receipt of the RGA, you must return the product to the address provided in the RGA, freight prepaid and accompanied with a dated proof of purchase and the RGA. Upon receipt of the defective product and upon verification of proof of purchase, aFe will either repair or replace the defective product within a reasonable time, not to exceed thirty days.

<b>Product Category</b>	<b>P/N Prefix</b>	<b>Warranty duration</b>
Direct OE Replacement Filters	10, 11, 30, 31, 71, 73	Life of the vehicle
Racing Filters	18	1 year
Universal	21, 24, 72	2 years
Air Intake Systems	50, 51, 54, 55, 75	2 years
Exhaust Systems	49	2 years
Intercoolers & Intercooler Tubes	46-2	2 years
Intake Manifolds	46-1	2 years
Differential Cover	46-7	Life of the vehicle
Exhaust Manifolds	46	2 years
Throttle Body Spacers	46-3	2 years
Fluid Filters	44	90 days
Pre-Filters	28	2 years
Heavy Duty OE Replacement	70	2 years
PowerSports OE Replacement	81, 87	2 years
PowerSports Intake Systems	85	2 years

No other warranty expressed or implied applies nor is any person or advanced FLOW engineering authorized to assume any other warranty. Some States do not allow the exclusion or limitation of incidental or consequential damages or do not allow limitations on how long an implied warranty lasts, so the above limitations or exclusions may not apply to you. This warranty gives you specific legal rights, and you may also have other rights which vary from State to State.



**advanced FLOW engineering, inc.**  
252 Granite Street Corona, CA 92879  
TEL: 951.493.7100 • TECH: 951.493.7134  
E-Mail: [Tech@aFepower.com](mailto:Tech@aFepower.com)