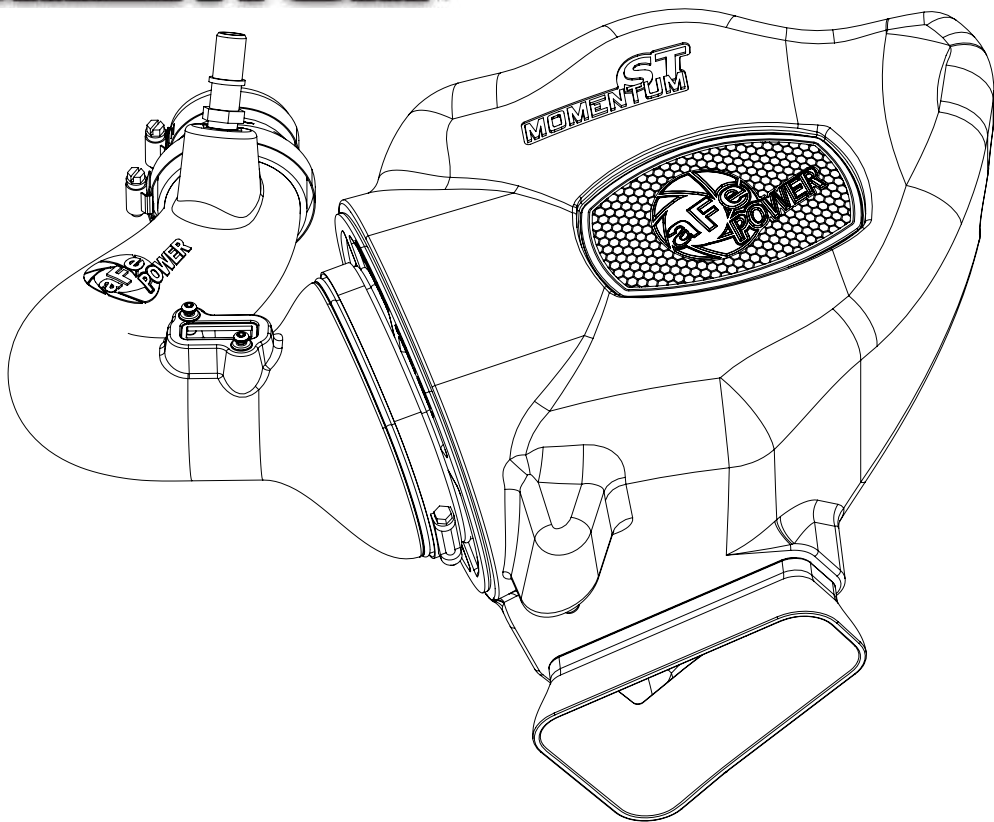


ST
MOMENTUM™



advanced FLOW engineering Momentum ST Cold Air Intake System

Instruction Manual P/N: 50-40007D / 50-40007R

Make: **Chevrolet** Model: **Camaro** Year: **2016-2019** Engine: **I4-2.0L Turbo**



- Please read the entire instruction manual before proceeding.
- Ensure all components listed are present.
- If you are missing any of the components, call customer support at 951-493-7100.
- Ensure you have all necessary tools before proceeding.
- Do not attempt to work on your vehicle when the engine is hot.



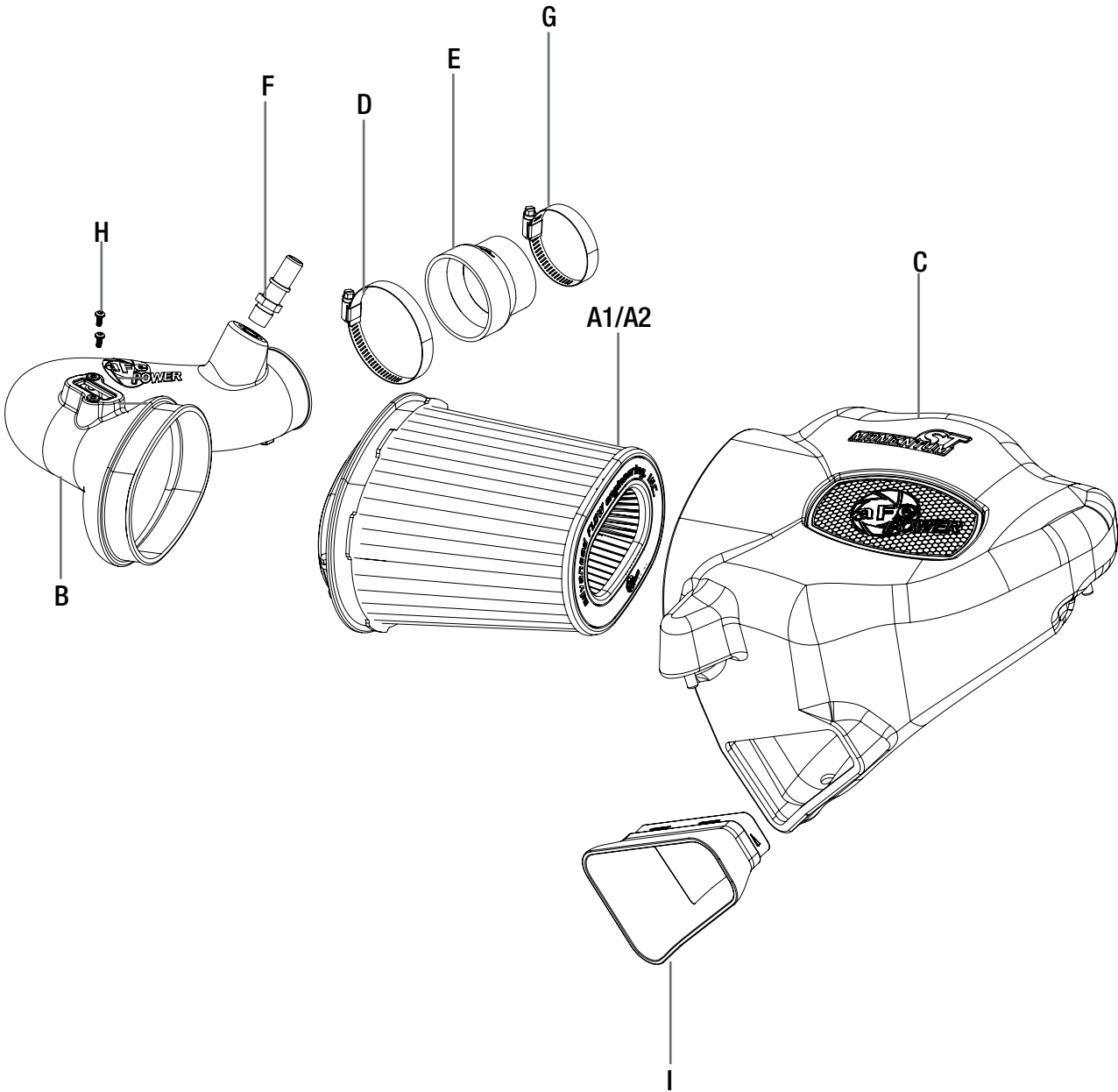
Retain factory parts for future use.

| Label | Qty. | Description | Part Number |
|-------|------|------------------------|--------------|
| A1 | 1 | Air Filter (Pro 5R) | 24-91105 |
| A2 | 1 | Air Filter (Pro DRY S) | 21-91105 |
| B | 1 | Tube | 05-74212B1 |
| C | 1 | Housing | 05-74210B2-T |
| D | 1 | Clamp, #048 | 03-50007 |
| E | 1 | Coupling, Silicone | 05-01380 |
| F | 1 | Fitting, Vent | 03-01339 |
| G | 1 | Clamp, #044 | 05-50019 |
| H | 2 | Screw, M4 | 03-50491 |
| I | 1 | Scoop | 05-74210B3 |
| | | | |

Installation will require the following tools:

8mm nut driver, 11mm deep socket & driver, T20 Torx, 20mm wrench or adjustable wrench.

Note: Legal in California for use on race vehicles only. The use of this device on vehicles used on public streets or highways is strictly prohibited in California and others states that have adopted California emission regulations.



**Figure A****Refer to Figure A for Step 1**

Step 1: Disconnect the braided hose (1) from the intake tube. Disconnect the MAF (2) sensor and pull off the wire harness clip (3) from the intake tube.



Figure B

Refer to Figure B for Step 2

Step 2: Use an 8mm nut driver to loosen the factory clamp (4) at the turbo. Remove the factory intake assembly by pulling up to release air box from its mounting grommets.



Refer to Figure C for Step 3

Step 3: Make sure the mounting grommets (5) are still in the chassis mounting tabs. If they pulled out and are stuck in the lower half of the air box, remove them from the air box and insert them back on the chassis mounting tabs.



Figure D

Refer to Figure D for Steps 4-5

Step 4: Using a Torx 20 driver, remove the mass air flow sensor (6) from the upper half of the air box and install it on the aFe intake tube using the two supplied M4 screws.

Step 5: Install the supplied aluminum vent fitting (7) into the aFe intake tube using a 20mm wrench or adjustable wrench.



Figure E

Refer to Figure E for Steps 6-7

Step 6: Install the supplied air inlet scoop (8) into the aFe air box.

Step 7: Use the provided plug (9) to close additional air inlet if you want to completely seal the air box.

Best performance gain is obtained by having more air flow (no plug).



Figure F

Refer to Figure F for Step 8

Step 8: Slide the aFe filter and clamp into the aFe housing and push it in until it locks into place. Do not tighten clamp at this time.



INSTALL

Figure G

Refer to Figure G for Step 9

Step 9: Install the housing assembly into the vehicle by pushing down air box pins into the rubber grommets. Make sure the pins are completely through the mounting grommets.

**Figure H****Refer to Figure H for Step 10**

Step 10: Install the supplied silicone coupler (10) with the supplied small clamp onto the turbo and tighten clamp. Install the supplied large clamp on the coupler.



Figure I

Refer to Figure I for Steps 11-12

Step 11: Slide the aFe intake tube into the coupler and then the air filter. Tighten all clamps.

Step 12: Connect the mass air flow sensor (11) and the braided hose (12).



Figure J

Refer to Figure J for Step 13

Step 13: Your installation is now complete. Thank you for choosing aFe Power!

NOTE: Check all bolts, clamps, and connectors after 200 miles.



Pro DRY S Air Filter



P/N: 21-91105

Pro 5R Air Filter



P/N: 24-91105

Blue Squeeze Restore Kit



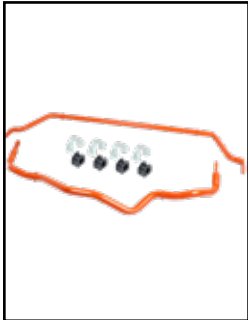
P/N: 90-50501

Pro DRY S Restore Kit



P/N: 90-59999

PFADT Series Sway Bars



P/N: 440-402002-N

PFADT Series Sway Bar



P/N: 440-402002FN
(Front)

PFADT Series Sway Bar



P/N: 440-402002RN
(Rear)

Turbo Downpipe



P/N: 48-34126-HC (Street)
48-34126-HN (Race)

aFe Control (ESD)



P/N: 436-401002-N

To purchase any of the items above, view airflow charts, dyno graphs, photos, and video; please go to aFePower.com.

Warranty

General Terms:

- aFe warrants their products to be free from manufacturer's defects due to workmanship and material.
- This warranty applies only to the original purchaser of the product and is non-transferrable.
- Proof of purchase of the aFe product is required for all warranty claims.
- Warranty is valid provided aFe instructions for installation and/or cleaning were properly followed.
- Proper maintenance with regular inspections of product is required to insure warranty coverage.
- Damage due to improper installation, abuse, unauthorized repair or alteration is not warranted.
- Incidental or consequential damages or cost, including installation and removal of part, incurred due to failure of aFe product is not covered under this warranty.
- All warranty is limited to the repair and/or replacement of the aFe part. To request Return Goods Authorization ("RGA"), email RGA@afepower.com or call (951)493-7100. Upon receipt of the RGA, you must return the product to the address provided in the RGA, freight prepaid and accompanied with a dated proof of purchase and the RGA. Upon receipt of the defective product and upon verification of proof of purchase, aFe will either repair or replace the defective product within a reasonable time, not to exceed thirty days.

| Product Category | P/N Prefix | Warranty duration |
|----------------------------------|--------------------------------|---------------------|
| Direct OE Replacement Filters | 10, 11, 30, 31, 71, 73 | Life of the vehicle |
| Racing Filters | 18 | 1 year |
| Universal | 21, 24, 72, TF | 2 years |
| Air Intake Systems | 50, 51, 54, 55, 75, TR, TA, TL | 2 years |
| Exhaust Systems | 49 | 2 years |
| Intercoolers & Intercooler Tubes | 46-2 | 2 years |
| Intake Manifolds | 46-1 | 2 years |
| Differential Cover | 46-7 | Life of the vehicle |
| Exhaust Manifolds | 46 | 2 years |
| Throttle Body Spacers | 46-3 | 2 years |
| Turbochargers | 46-6 | 2 years* |
| Fluid Filters | 44 | 90 days |
| Pre-Filters | 28 | 2 years |
| Heavy Duty OE Replacement | 70 | 2 years |
| PowerSports OE Replacement | 81, 87 | 2 years |
| PowerSports Intake Systems | 85 | 2 years |

No other warranty expressed or implied applies nor is any person or advanced FLOW engineering authorized to assume any other warranty. Some States do not allow the exclusion or limitation of incidental or consequential damages or do not allow limitations on how long an implied warranty lasts, so the above limitations or exclusions may not apply to you. This warranty gives you specific legal rights, and you may also have other rights which vary from State to State.

*See turbocharger warranty for more info



advanced FLOW engineering, inc.
252 Granite Street Corona, CA 92879
TEL: 951.493.7100 TECH: 951.493.7134
E-Mail: Tech@aFepower.com