

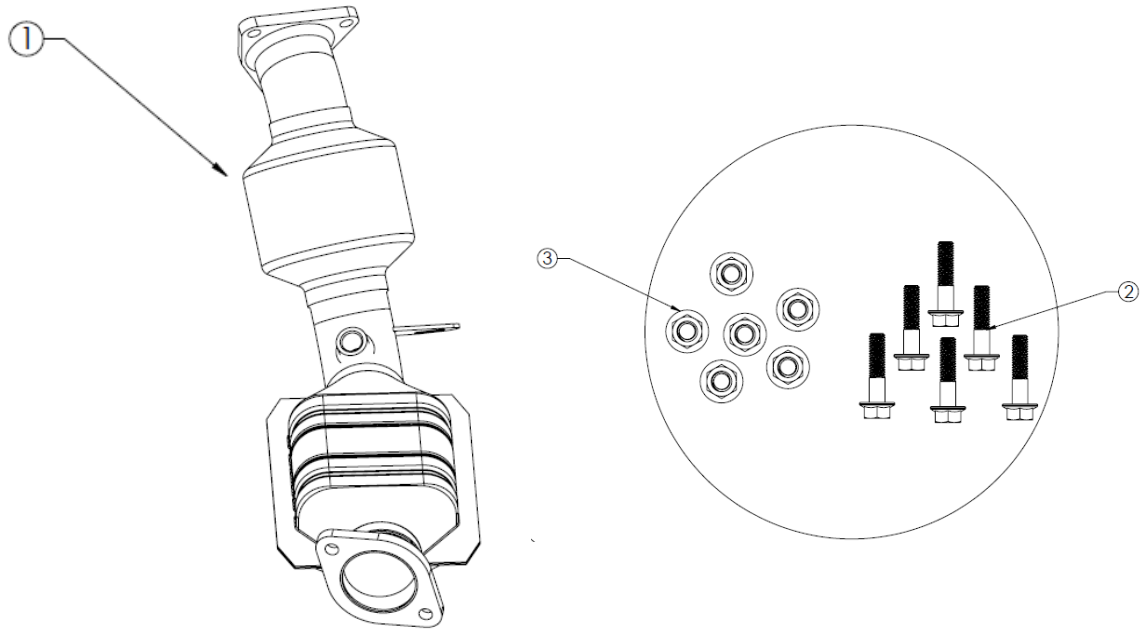


INSTALLATION INSTRUCTIONS

Direct Fit Converters

MAKE: Nissan
MODEL: 350Z/370Z
YEAR: 2007-2020
ENGINE: V6-3.7L

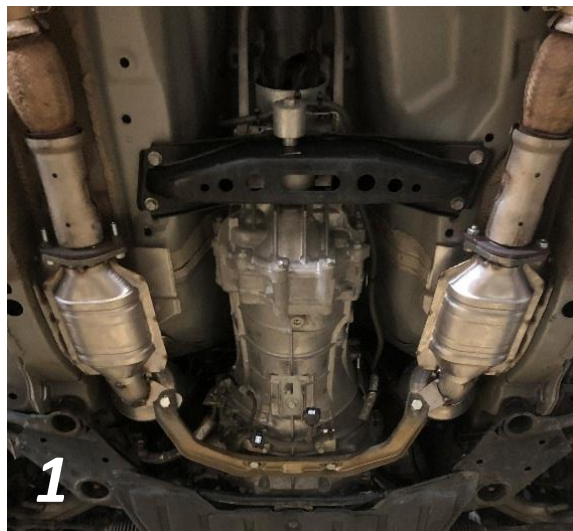
47-46107



Item	Description	Part Number	Quantity
1	Direct Fit Converter: Driver Side	05-144831	1
2	Screw, Flange Hd Cap: M10 x 1.5 x 30mm	03-50493	6
3	Nut, Flg M10 x 1.5	03-50189	6

aFe POWER recommends professional installation on this product. Thoroughly inspect the aFe POWER exhaust system to make sure there is no damage from shipping (if damage is noted, immediately contact aFe POWER customer service). Allow time for your vehicle to cool down prior to installation. When working on your vehicle proceed with caution. Wear protective safety equipment; eye goggles and gloves to ensure a safe installation.

Install band clamps to proper torque specifications of 40-45 ft-lb.





INSTALLATION INSTRUCTIONS

Direct Fit Converters

MAKE: Nissan
MODEL: 350Z/370Z
YEAR: 2007-2020
ENGINE: V6-3.7L

47-46107

1. **(Read instructions prior to installation.)** It is recommended to not fully tighten the exhaust until it has been fully installed. Leave loose for adjustability.
2. Secure vehicle on jack stands (refer to your manual for specified jack stand positions).
3. For faster installation, spread out the parts of the exhaust alongside your vehicle as shown in the diagram above.
4. Secure the stock exhaust with jack/stands.
5. Disconnect negative battery terminal.
6. From the bottom of the vehicle disconnect both o2 sensors (NOTE: LABEL EACH SENSOR BEFORE YOU DISCONNECT.)
7. Loosen and remove the two 14mm nuts of the rear OE Exhaust Y-Pipe
8. Loosen and remove the four 14mm nuts of the front OE Exhaust Y-Pipe connected to the OE Catalytic Converters.
9. Remove Y-Pipe.
10. Loosen and remove the six 14mm nuts that bolt on the catalytic converters.
11. Remove both driver and passenger side catalytic converters.
12. Remove the o2 sensor from both OE down pipes & remove the OE gaskets.
13. Install the o2 sensors to the aFe Direct Fit Converters & install the OE gaskets.
14. Install the aFe Direct Fit Converters, do not tighten.
15. Re-install the OE bolt & nuts on the aFe Direct Fit Converters, do not tighten.
16. Re-install the OE Y-Pipe.
17. Align the rest of the exhaust to your liking.
18. Reconnect the o2 sensors.
19. Reconnect battery.
20. Ensure that all the components of the aFe Direct Fit Converters are aligned and are at a safe clearance from all wires, hoses, brake lines, body parts, and tires.
21. Start from the front of the aFe exhaust system and evenly tighten all clamps and fasteners.
22. Start the vehicle and check for any leaks. If any leaks are found, determine cause and repair as necessary.
23. Remove vehicle from jacks stands.
24. It is recommended to re-tighten all clamps and hardware after 50-100 miles.